



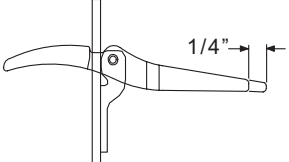
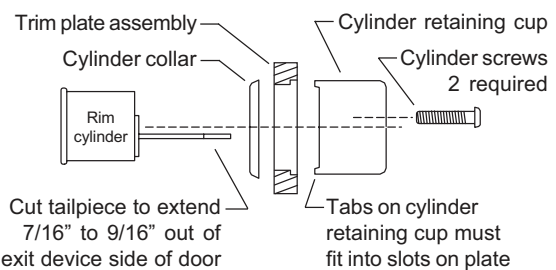
921265-00

990TP/TP-BE/NL

VON DUPRIN

Trim for Rim and Vertical Rod Devices

Installation Instructions

1	Prepare door for exit device. See exit device instructions for holes, line X-X, and center lines.	4	For TP and TP-BE trim on 1-3/4" thick door, cut 1/4" off hump piece.
2	Prepare door for trim:	 <p>1/4" cutoff required on thumbpiece for TP and TP-BE trim on 1-3/4" thick doors</p>	
2a	Transfer line X-X from inside (exit device side) of door to outside (trim side) of door. Use extra care if edge of door is beveled. Be sure line X-X is parallel to edge of door.		
2b	Locate and prepare holes as shown.	5	Apply trim.
3	For TP and NL trim, install rim cylinder.	6	For TP and NL trim, cut cylinder tailpiece to extend 7/16" to 9/16" out of exit device side of door.
		7	Apply exit device, thru-bolt to trim (4 places), and use screw and #12 countersink washer for lower trim mounting stud.

