



Scroll to next page for a printable pdf document.



For Smartphone-friendly interactive version, [tap or click here.](#)



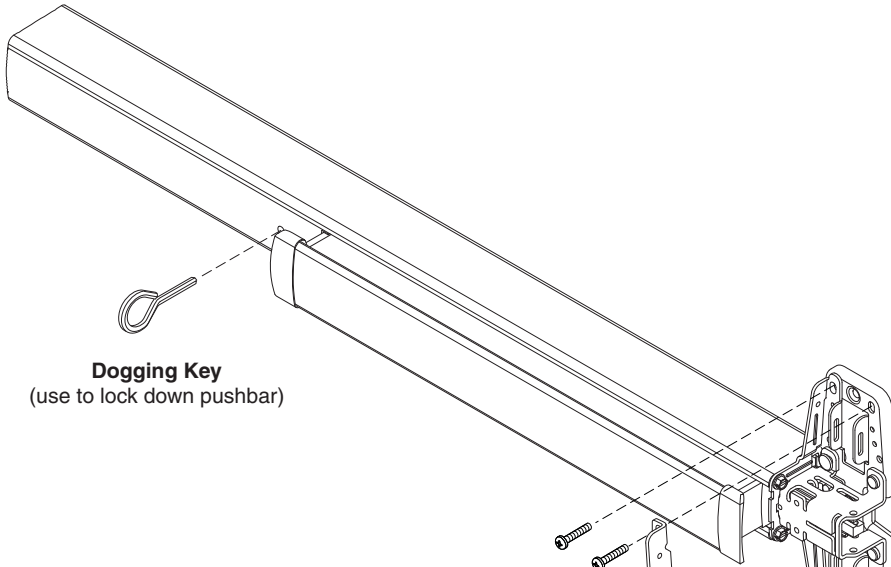
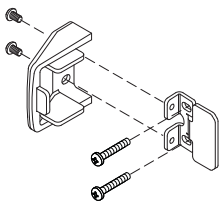
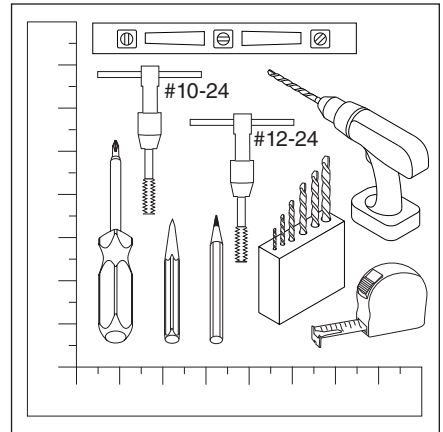
911374-00

9875/9975

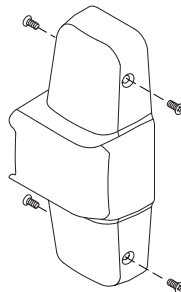
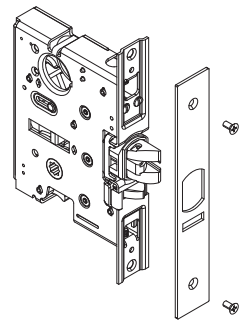
VON DUPRIN®

Mortise Exit Device

Installation Instructions



Dogging Key
(use to lock down pushbar)



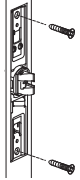
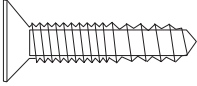
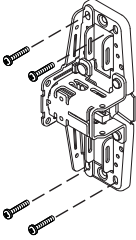
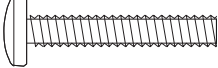
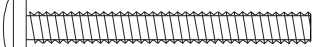
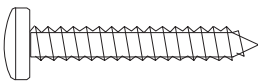
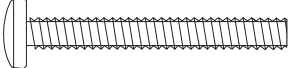
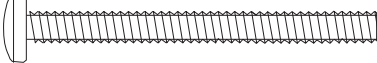

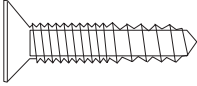

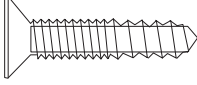
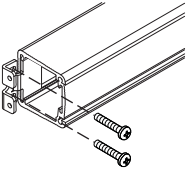
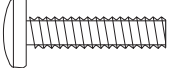
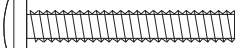
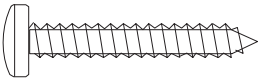
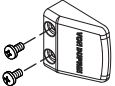
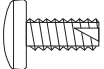
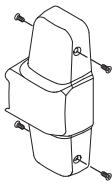
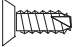
Customer Service

1-877-671-7011

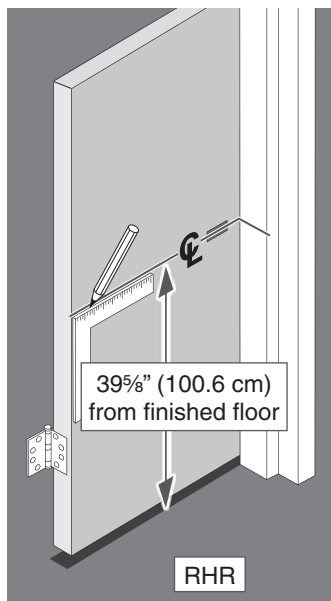
www.allegion.com/us

© Allegion 2015
Printed in U.S.A.
911374-00 Rev. 07/15-f

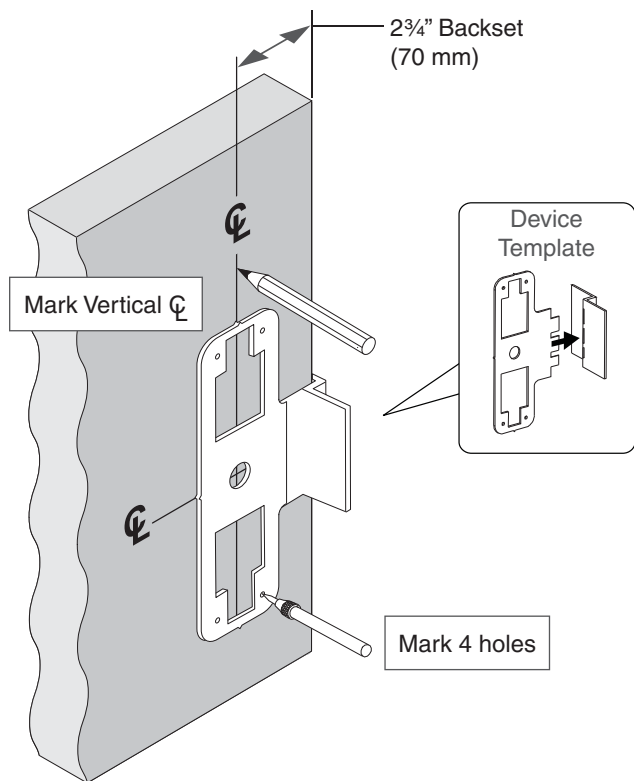
SCREW CHART

Subassembly	Screw	Application
A 	 <p>#12-12 x 12-24 x 1" (25 mm) Combination</p>	Metal or wood door
B 	 <p>#10-24 x 1" (25 mm)</p>  <p>#10-24 x 1 1/2" (38 mm)</p>  <p>#10 x 1 1/4" (32 mm) Wood screw</p> <p>Packaged with 990 Trims:</p>  <p>#10-24 x 1 3/8" (35 mm)</p>  <p>#10-24 x 1 7/8" (48 mm)</p>	<p>Surface mount or Sex bolts 1 3/4" (44 mm) door</p> <p>Sex bolts, 2 1/4" (57 mm) door</p> <p>Surface mount (wood)</p> <p>1 3/4" (44 mm) door, 990 Trim</p> <p>2 1/4" (57 mm) door, 990 Trim</p>
C 	 <p>#12-12 x 12-24 x 1" (25 mm) Combination</p>	Metal or wood frame
C 	 <p>#12-12 x 12-24 x 1" (25 mm) Combination</p>	Metal or wood door
D 	 <p>#10-24 x 3/4" (19 mm)</p>  <p>#10-24 x 1 1/8" (29 mm)</p>  <p>#10 x 1 1/4" (32 mm) Wood screw</p>	<p>Surface mount or Sex bolts 1 3/4" (44 mm) door</p> <p>Sex bolts, 2 1/4" (57 mm) door</p> <p>Surface mount (wood)</p>
E 	 <p>#10-16 x 3/8" (10 mm) Thread cutting</p>	End cap
F 	 <p>#8-18 x 3/8" (10 mm) Thread cutting</p>	Center case cover

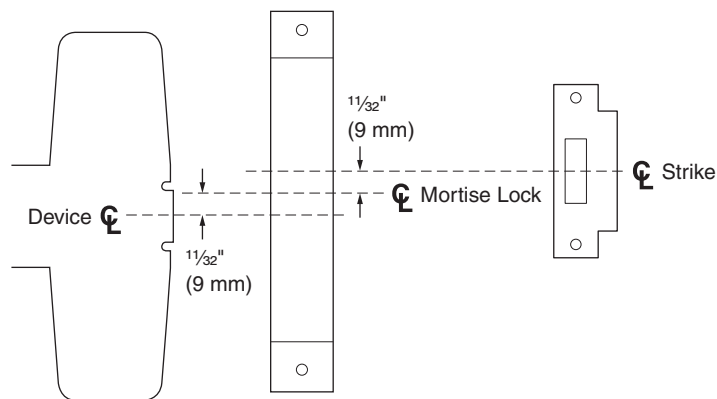
1 Draw horizontal device center line (☉).



2 Position template on ☉ and mark door.

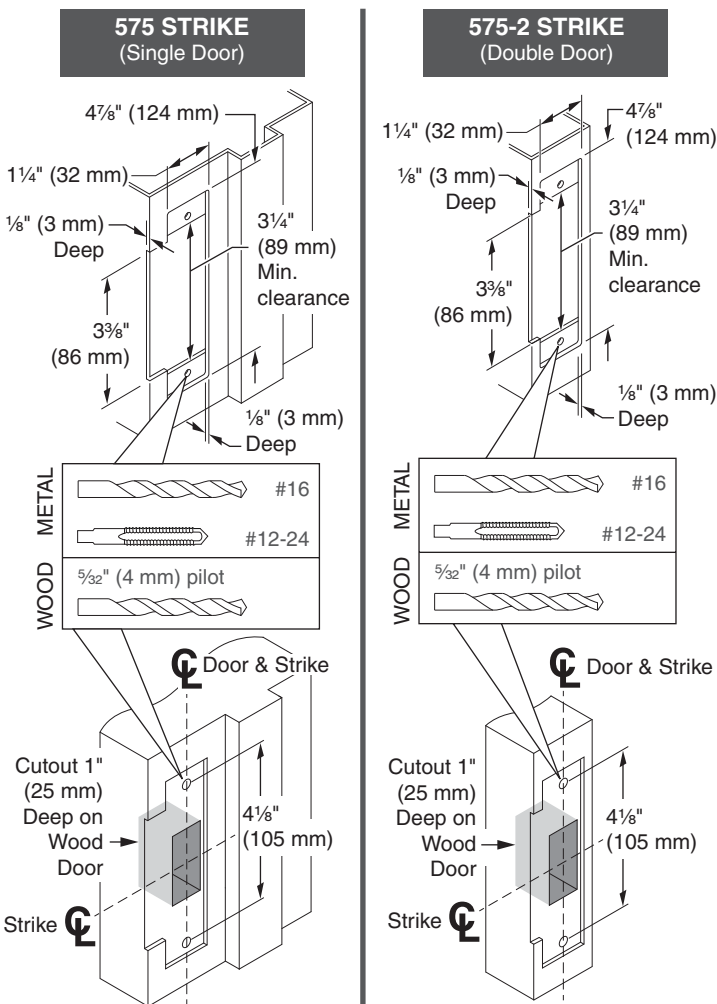


3 Locate strike center line (☉).



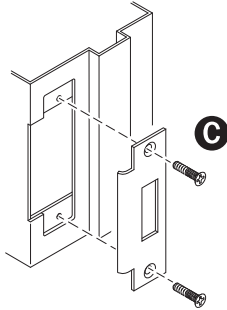
4 Prepare the door frame (or other door) for strike.

① 575, 575-2 strike shown. For 576A/576B strike preparation, see page 7.



5 Install strike.

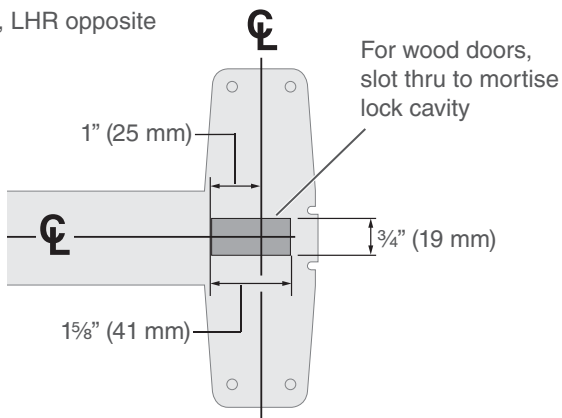
i For 576A/576B strike installation, see page 7.



i See "Screw Chart" on page 2 for screw types and sizes.

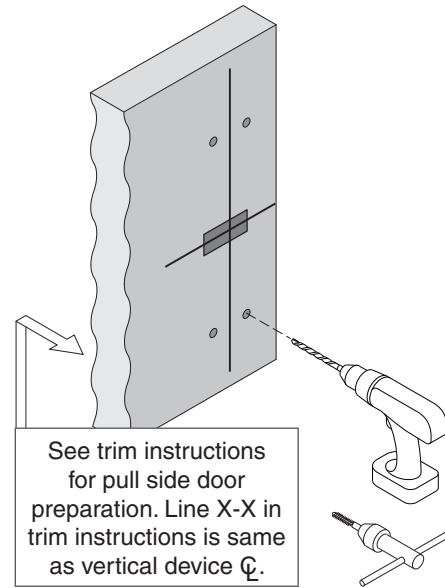
6 If necessary, prepare door cutout.

For all 98/9975 devices
RHR shown, LHR opposite



7 Prepare door for device and trim.

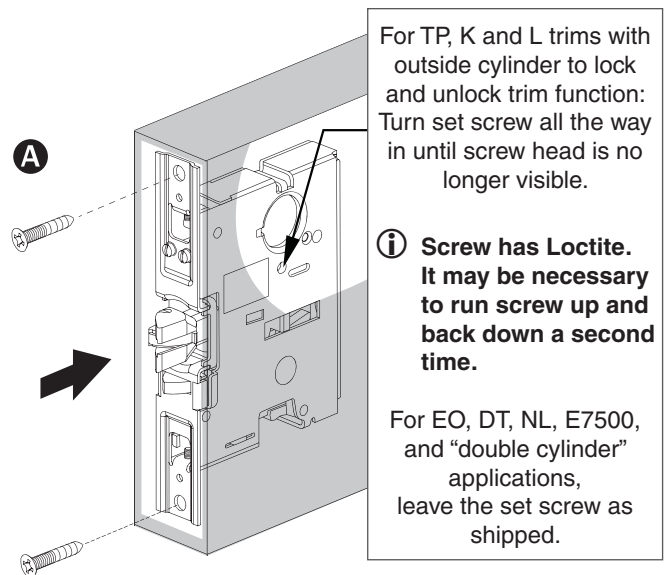
Prepare 4 center case mounting holes.



SURFACE MOUNT		OR	SEX BOLTS or 990 TRIMS	
METAL	#25		METAL	1/4" (6 mm) Device Side
	#10-24			1 3/32" (10 mm) Trim Side
WOOD	1/8" (3 mm) x 1" (25 mm) Deep		WOOD	1 3/32" (10 mm) Drill Thru

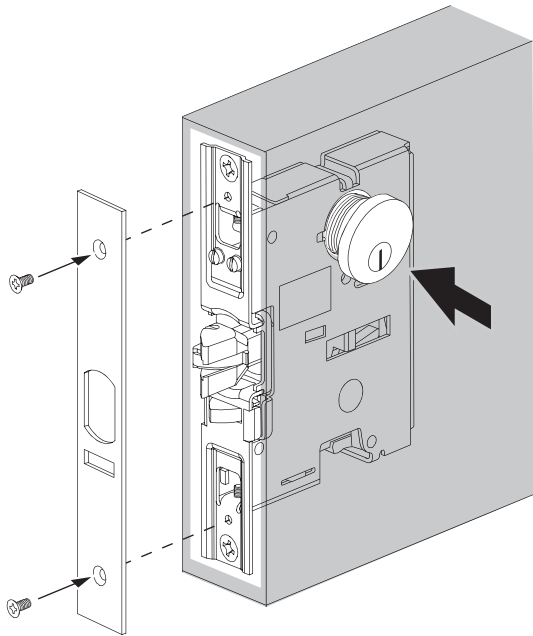
8 Install mortise lock into door.

i See 7500 mortise lock instruction #941019.

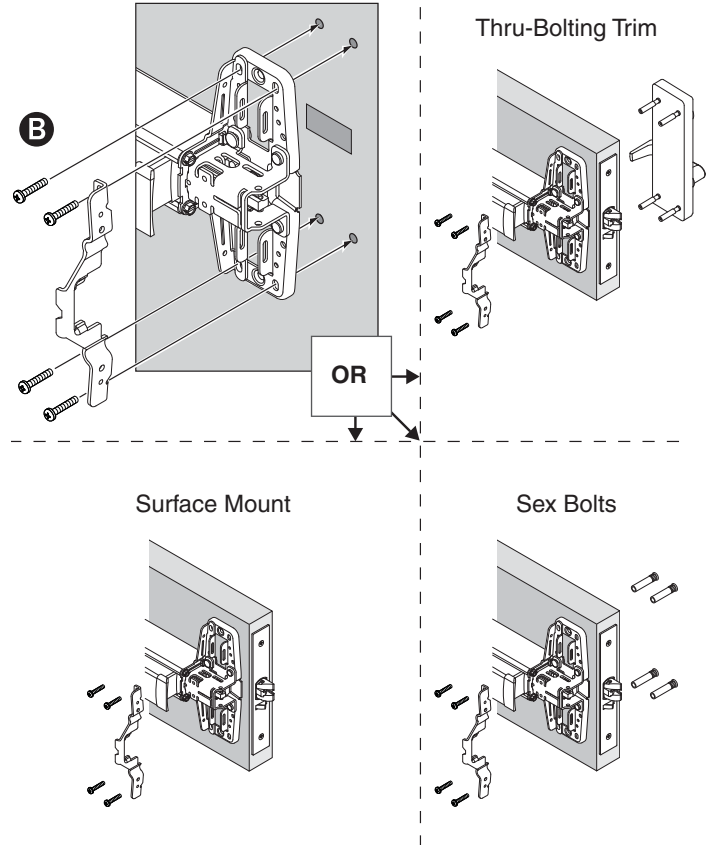


9 Install outside locking cylinder (if using) and complete installation of mortise lock.

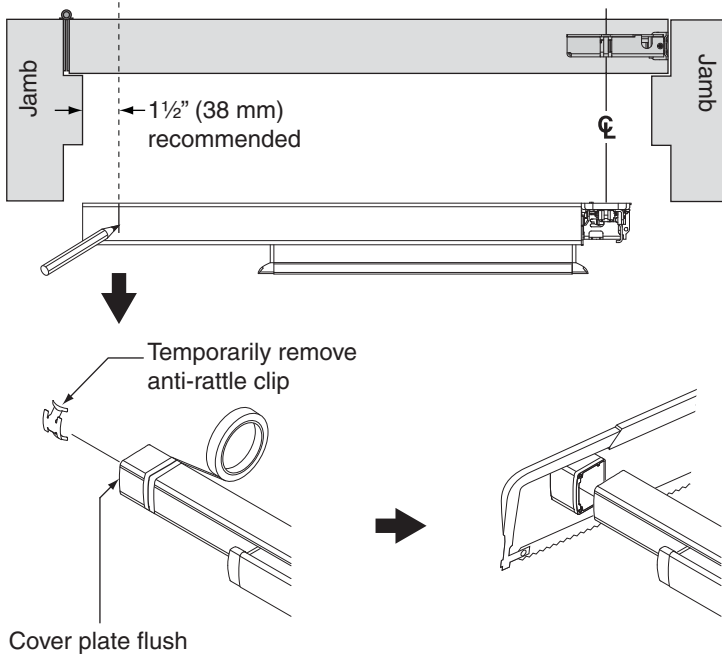
i See 7500 mortise lock instruction #941019.



11 Install trim (if using) and attach center case to door.

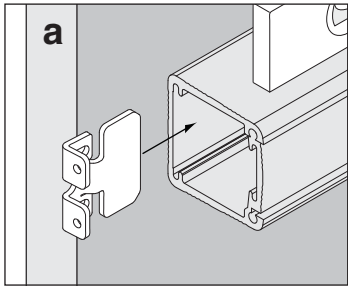


10 If necessary, cut device.



12 Mark and prepare two holes for end cap bracket.

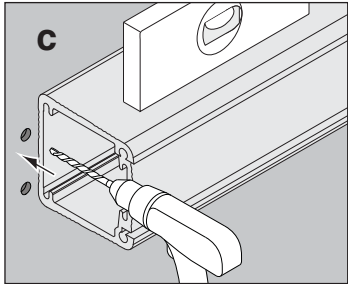
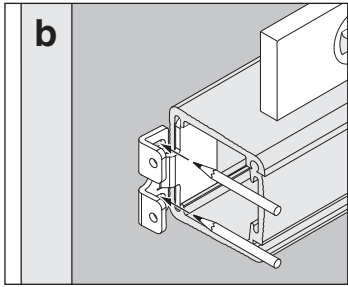
i Prepare holes after lock side of device is mounted and hinge side is leveled.



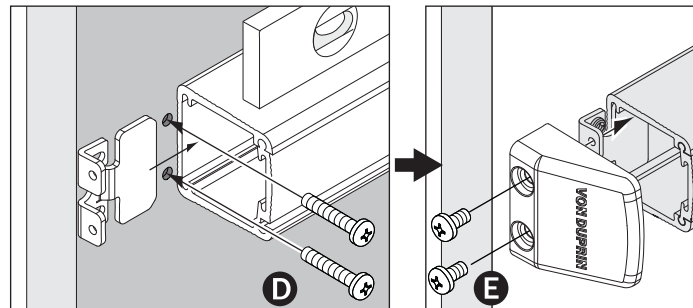
SURFACE MOUNT	
METAL	#25
WOOD	#10-24
	1/8" (3 mm) x 1" (25 mm) Deep

OR

SEX BOLTS	
METAL	1/4" (6 mm) Device Side
	13/32" (10 mm) Trim Side
WOOD	13/32" (10 mm) Drill Thru

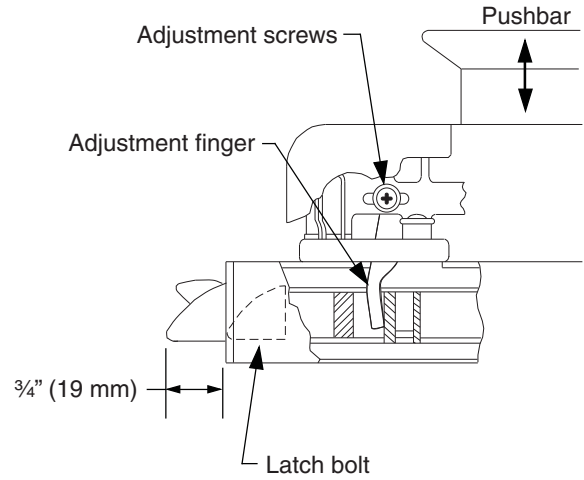


13 Install end cap bracket and end cap.



14 Adjust latch bolt.

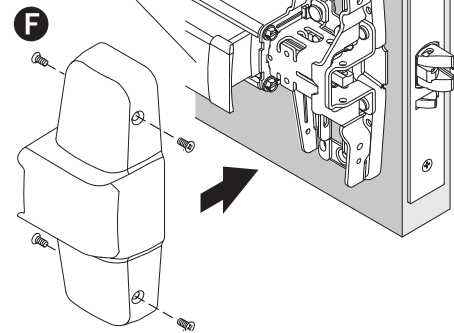
TOP VIEW



Loosen adjustment screws and adjust finger in or out until latch bolt is fully retracted (with pushbar down) and fully extended 3/4" (with pushbar up).

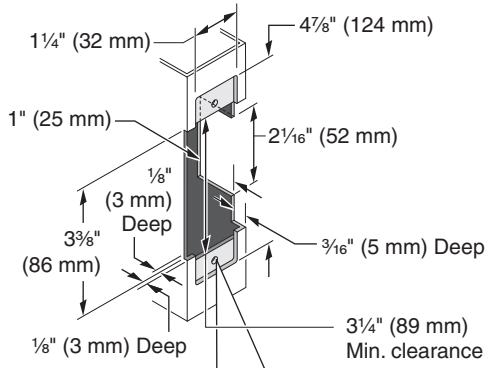
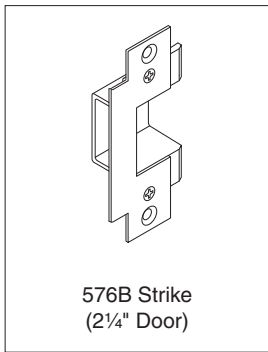
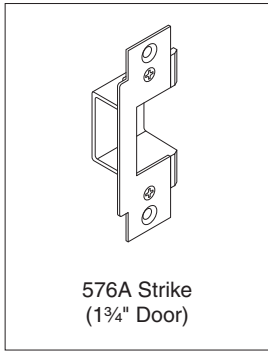
15 Install center case cover.

Remove protective film from pushbar

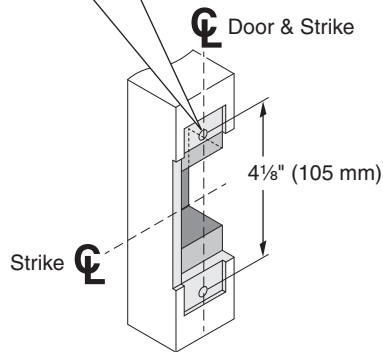


576A/576B STRIKE PREPARATION & INSTALLATION

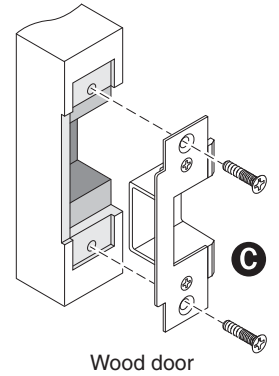
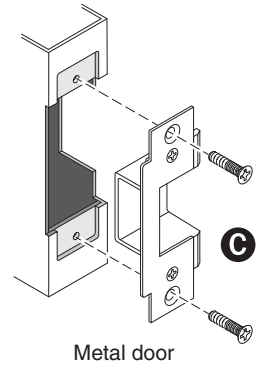
PREPARATION



METAL		#16
METAL		#12-24
WOOD		5/32" (4 mm) pilot
WOOD		

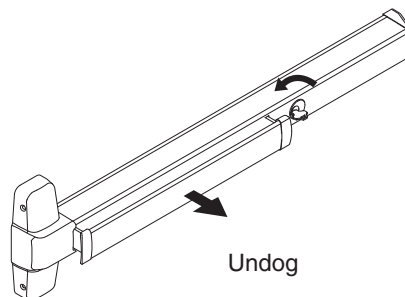
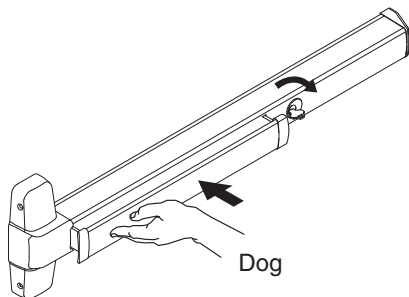
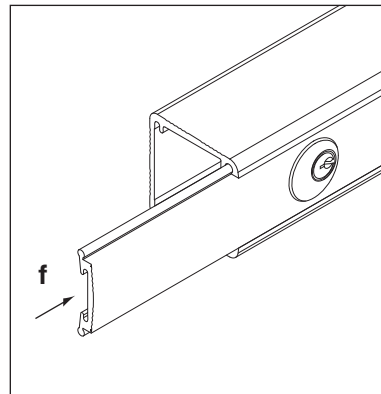
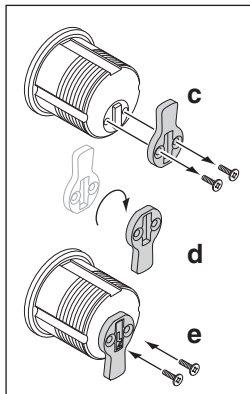
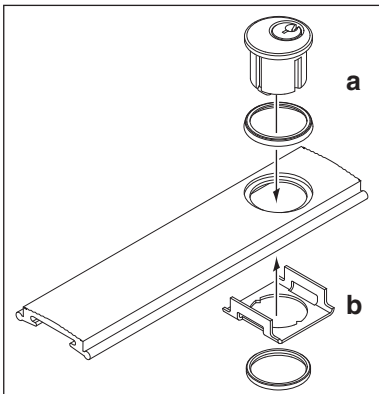


INSTALLATION



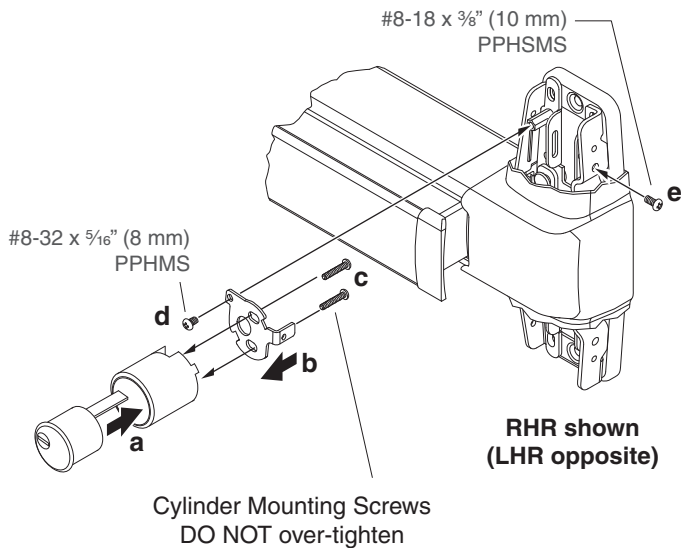
OPTIONAL EQUIPMENT

CD (Cylinder Dogging) Option

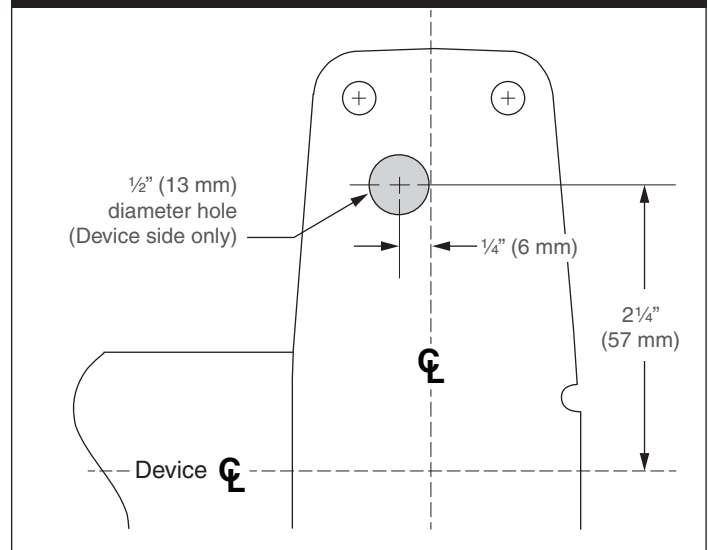


OPTIONAL EQUIPMENT (98/9975-2 DOUBLE CYLINDER)

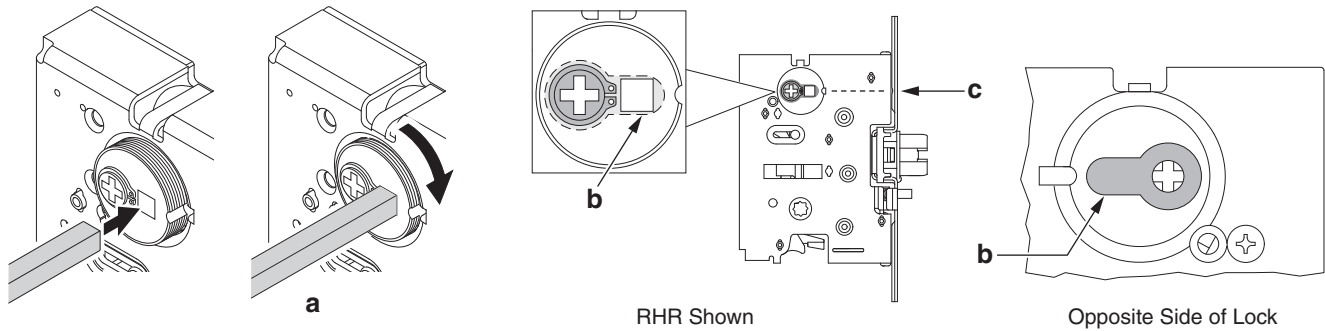
Install Cylinder



Door Cutout for 98/9975-2 "Double Cylinder" Option

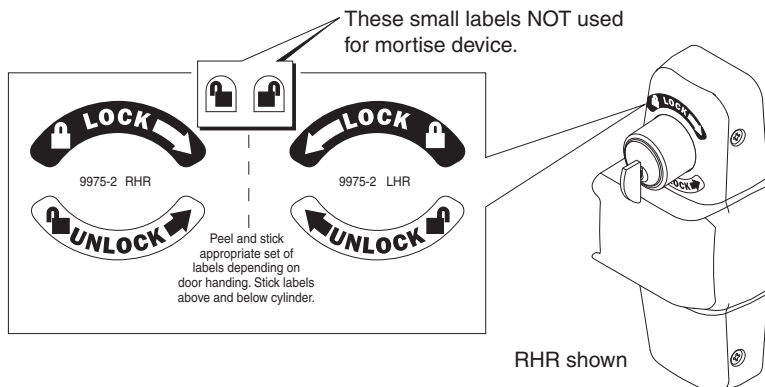


Install Cylinder Adapter Plug Assembly to Mortise Lock



- Screw cylinder adapter plug assembly into lock on device side using a $\frac{1}{4}$ " (6 mm) square socket driver.
- Position finger as shown.
- Tighten cylinder screw to hold in place.

A lock/unlock label is an available option that can be used with the 98/9975-2, and is sold separately. The labels are applied above and below cylinder to match door handing.



i Manually affix the label:

Ensure surface is clean of dirt, dust, or oils. Clean with alcohol if necessary.

Peel the label from the paper backing and apply to the surface. Minimize handling when applying and use pressure to burnish label to surface. The adhesive will require up to 8 hours to achieve the proper bond.