



931225-00

6223/6223DS

VON DUPRIN®

Electric Strike

Installation Instructions

Double Door Closed Back Mortise or Cylindrical Application

Notes Deadbolt will not function with this strike.
Check with factory for retrofit applications.

1. For lock or device preparation, see their directions.
2. Prepare door for strike (see other side).
3. Wire strike (Figure 1). (Switches on 6223DS only.)

4. Test strike: Apply solenoid power. Fail secure (FSE) lip unlocks. Failsafe (FS) lip locks. Figure 1 shows status of switches.
5. Install strike with two #12-24 screws. Make sure clearance between latch bolt and strikelip is 1/32" (Figure 2). If not, uninstall strike, adjust (Figure 3), and reinstall.
6. If latch bolt does not extend far enough to actuate tripper, install extension (Figure 4). (Tripper on 6223DS only.)
7. Test door: With strike unlocked, door opens with latch bolt extended. When door closes, latch bolt rides over strikelip.

SOLENOID POWER REQUIREMENTS

Yellow solenoid wires = 12VDC, 0.57A
 Black solenoid wires = 24VDC, 0.29A
 (also shown on strike label)

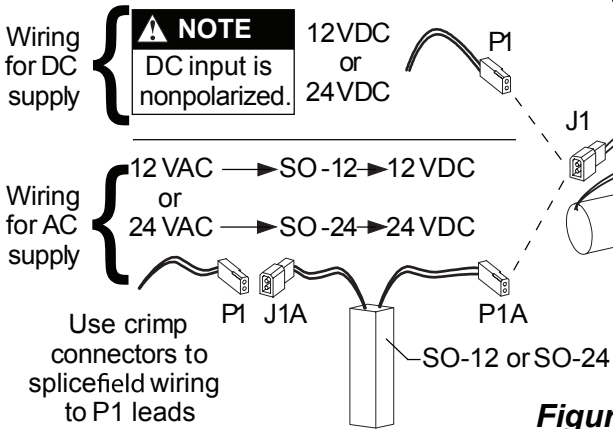
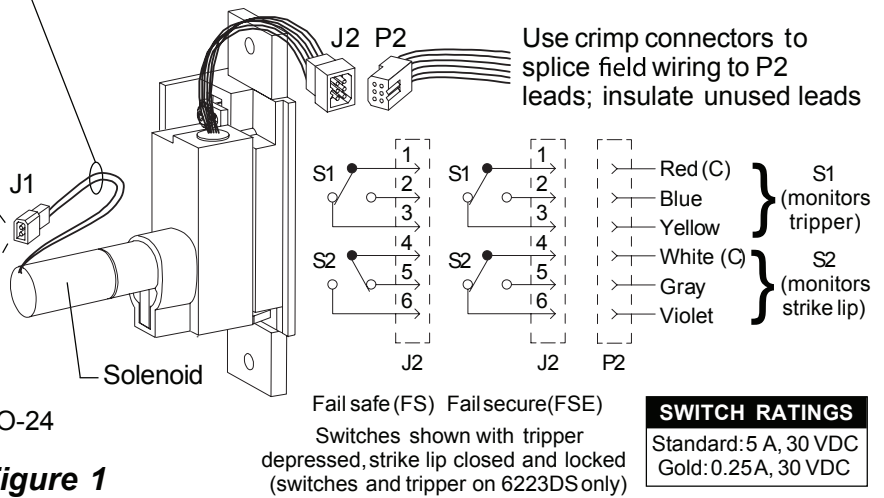


Figure 1



SWITCH RATINGS
 Standard: 5 A, 30 VDC
 Gold: 0.25A, 30 VDC

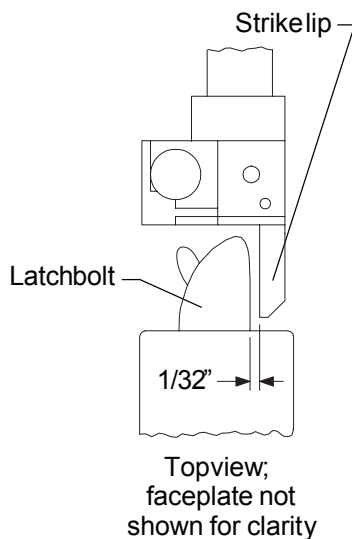


Figure 2

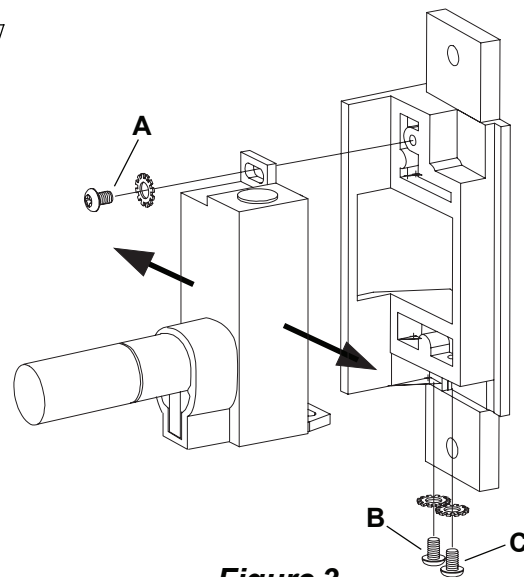


Figure 3

NOTE:
 Static Strength Rating 1500 lb.
 Dynamic Strength Rating 70ft.-lb.
 Endurance Rating 250,000 c.

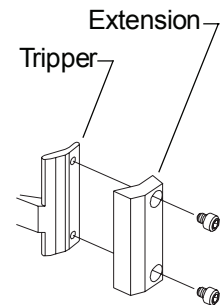
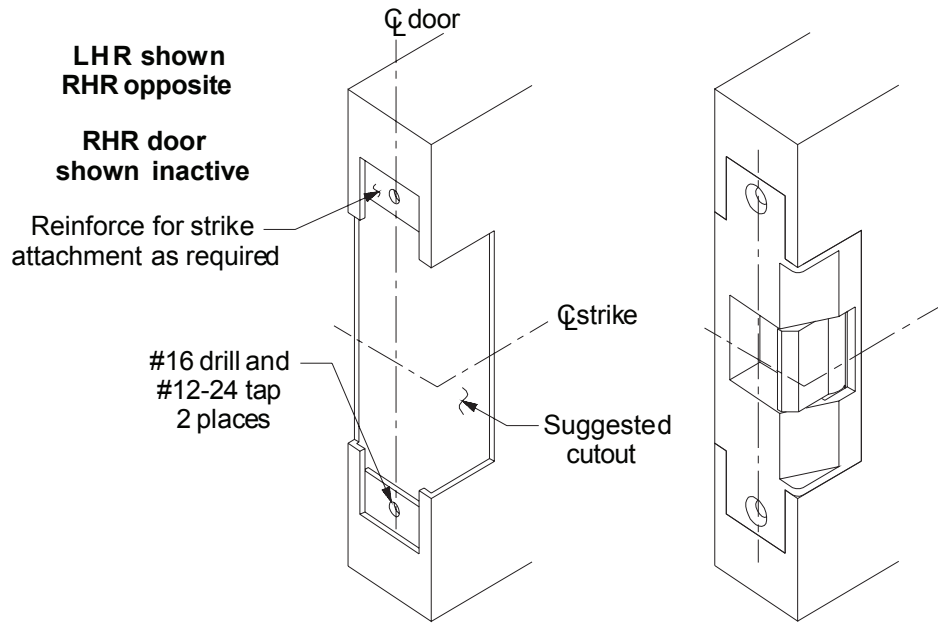


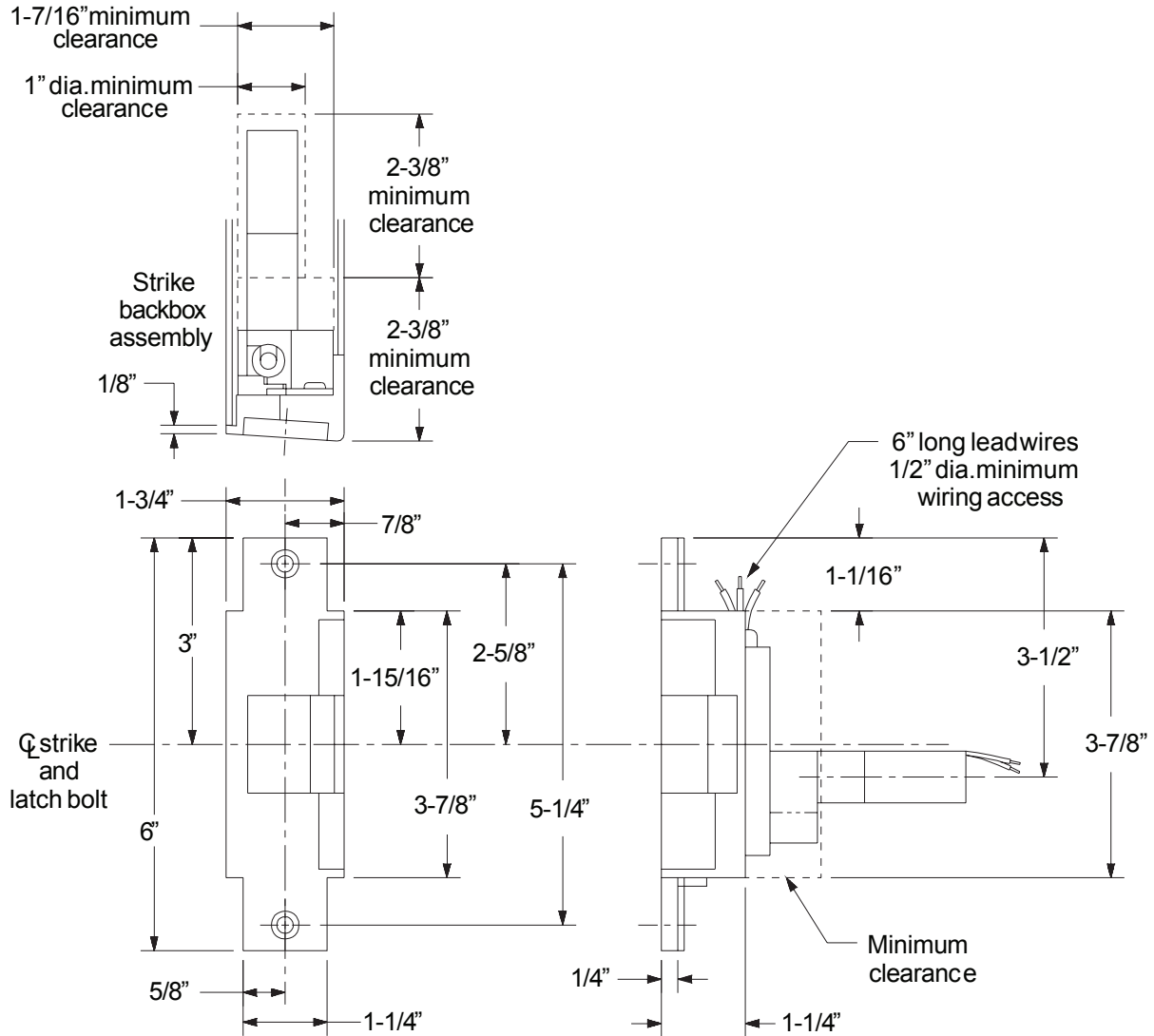
Figure 4



89/336/EEC



Door Preparation for Strike



Strike Dimensions and Required Clearances