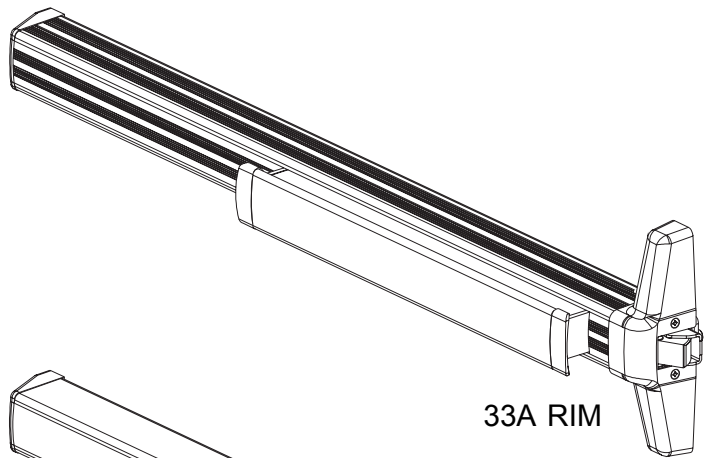


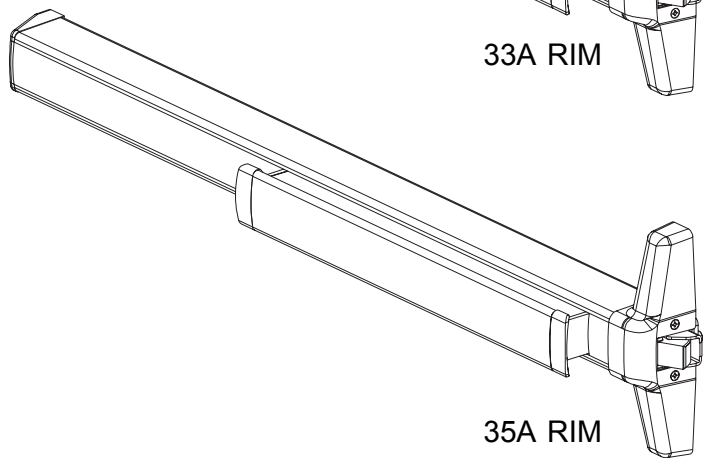
**VON DUPRIN®**

# 33A/35A Series Rim Exit Device

Service manual



33A RIM



35A RIM

# INDEX

|   |       |
|---|-------|
| 33A/35A Rim Panic Devices                           |       |
| Basic Device .....                                  | 4-5   |
| Baseplate Assembly .....                            | 6     |
| Variations of the Basic Device                      |       |
| CD (Cylinder Dogging) .....                         | 4     |
| HD-EL (Hex Dogging/Electric Latch Retraction) ..... | 7     |
| EL (Electric Latch Retraction) .....                | 8     |
| SS (Signal Switch) .....                            | 8     |
| CX (Chexit) .....                                   | 9     |
| RX (Request to Exit) .....                          | 10-11 |
| LX (Latch Bolt Monitoring) .....                    | 10-11 |
| ALK (Exit Alarm Kit) .....                          | 12    |
| General Information                                 |       |
| Introduction .....                                  | 2     |
| How to Order .....                                  | 2     |
| Part Number Changes .....                           | 2     |
| Finishes .....                                      | 3     |
| Outside Trim Functions .....                        | 3     |
| Strikes .....                                       | 3     |

## INTRODUCTION

This manual contains a listing of replaceable parts and assemblies for the 33A/35A Rim Panic Exit Hardware Devices. (33A Series and 35A Series devices are almost identical. The 33A Series has a grooved case; the 35A Series has a smooth case.)

## HOW TO ORDER

Some parts are sold separately. Other items are available as part of a kit or multiple quantity package. For the best possible service when ordering replacement parts or assemblies, please provide the following information:

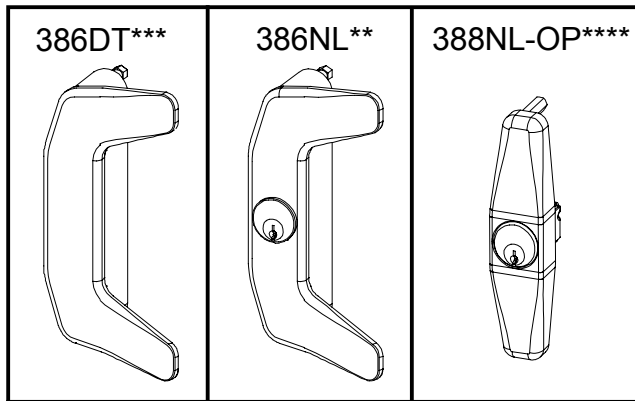
- Part number or assembly number
- Description
- Quantity needed
- Finish desired (if available finished)
- Date of original purchase (if known)

## PART NUMBER AND AVAILABILITY CHANGES

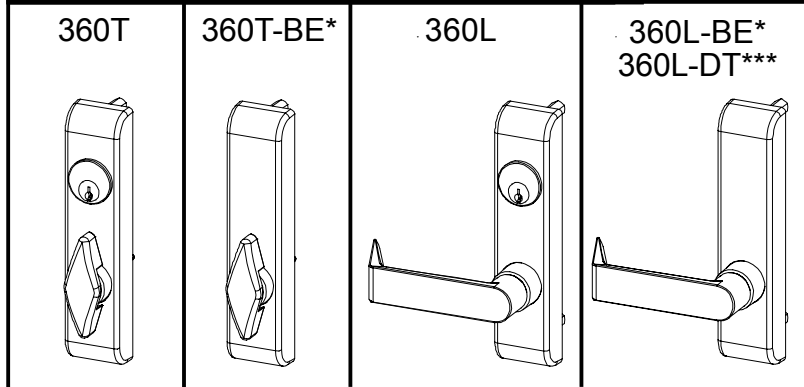
This manual was designed to help illustrate the replacement parts and kits that are available for sale. Because of changes to the product and/or manufacturing process, part numbers and availability can change over time.

## OUTSIDE TRIM FUNCTIONS

## 33A/35A SERIES FINISHES

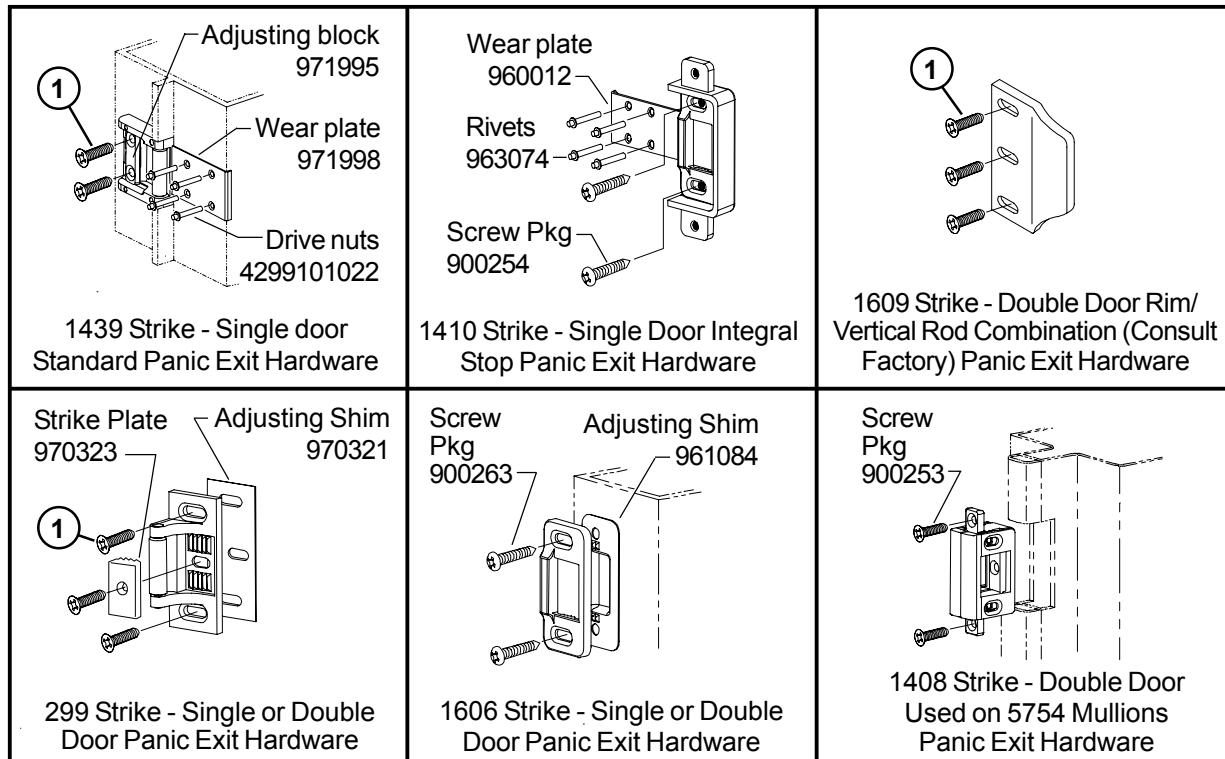


| U.S. Std Reference | BHMA Reference | Description                         |
|--------------------|----------------|-------------------------------------|
| US3                | 605            | Polished Brass                      |
| US4                | 606            | Dull Brass                          |
| US10               | 612            | Dull Bronze                         |
| US15               | 619            | Satin Nickel                        |
| US26               | 625            | Polished Chrome                     |
| US26D              | 626            | Dull Chrome                         |
| US28               | 628            | Anodized Alum. (Clear)              |
| 313AN              | 710            | Anodized Alum. (313)<br>Dark Bronze |
| 315AN              | 711            | Anodized Alum. (Black)              |



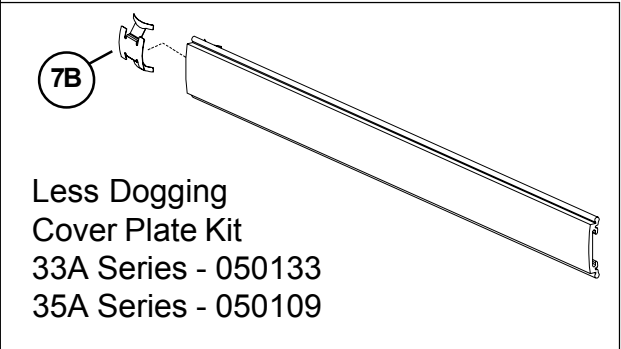
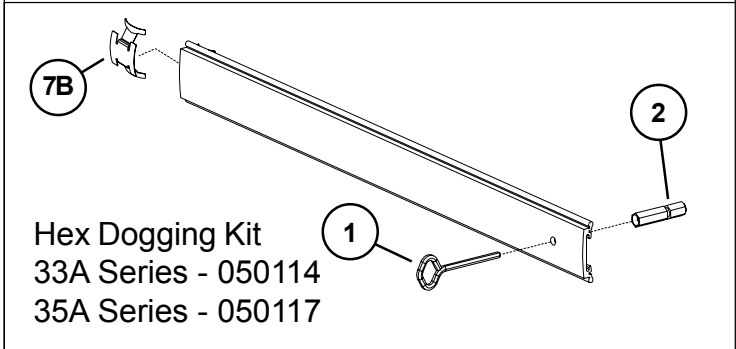
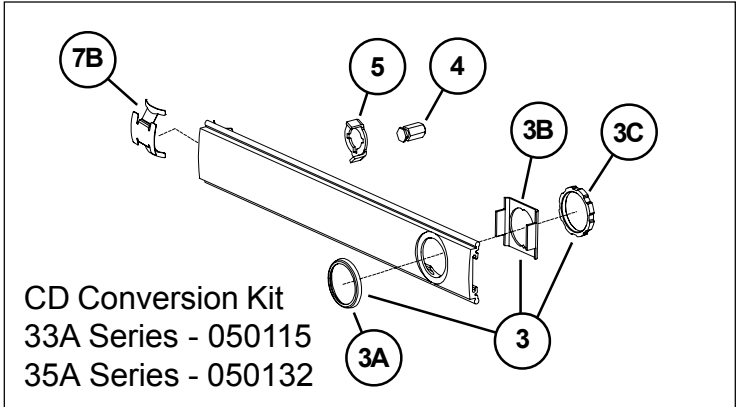
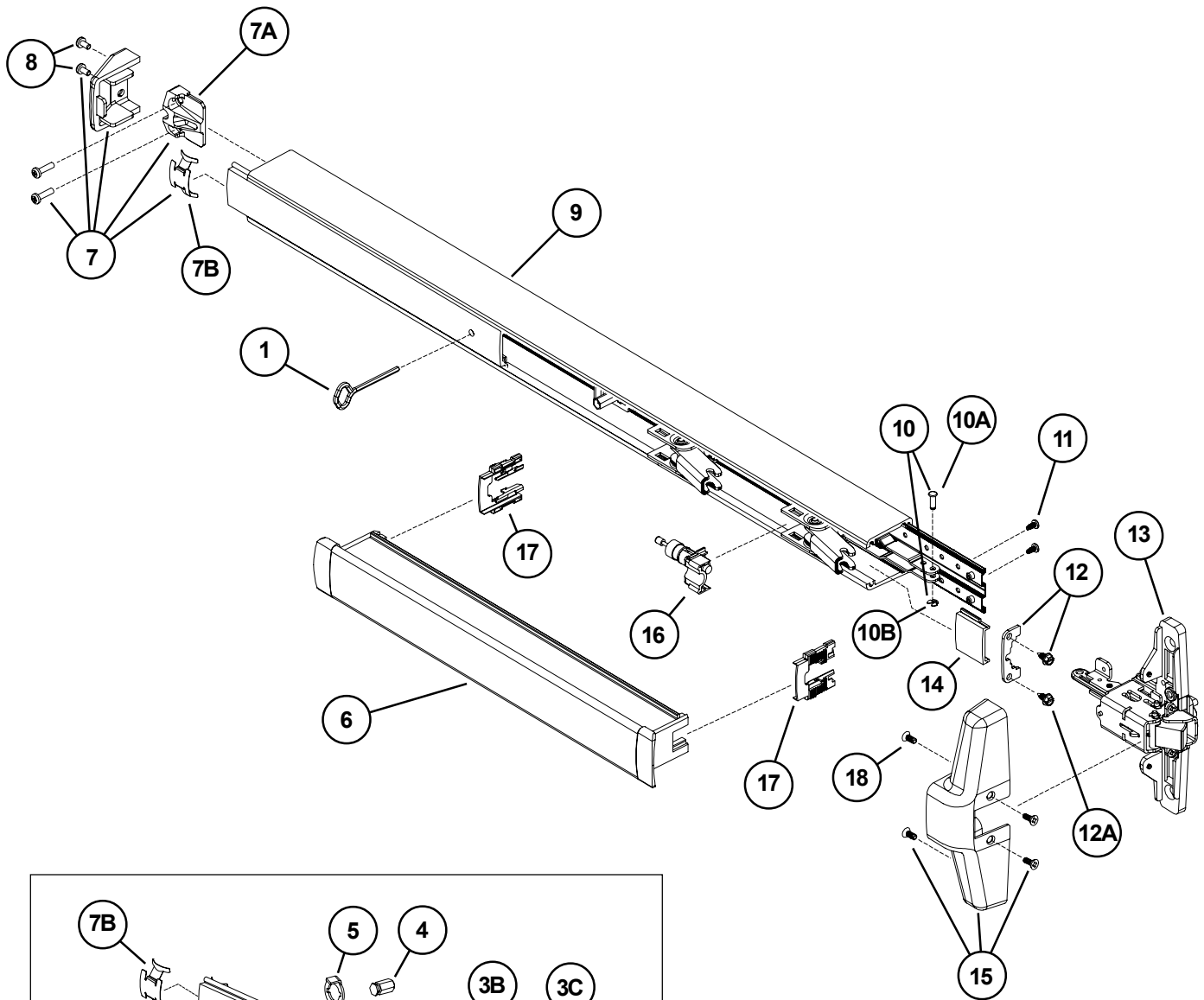
- \* "BE" (Blank Escutcheon) no cylinder used - lever always active
- \*\* "NL" (Night Latch) rigid lever - key retracts latch bolt
- \*\*\* "DT" (Dummy Trim) rigid lever for pull operation
- \*\*\*\* "NL-OP" (Optional Pull) needs to be added

## STRIKES



- ① Metal Door Screw Package PKGSRV.1023 (Pkg of 10)
- Wood Door Screw 964291 (Qty of 1)

# 33A/35A RIM PANIC DEVICE



### 33A/35A RIM PANIC DEVICE

| Item No. | Quantity | Part No. | Description                                    | Finish |
|----------|----------|----------|--|--------|
|          | 1        | 900619   | 33A/35A Series Mounting Pkg. (1-3/4 & 2-1/4)   |        |
| 1        | 1        | 090085   | 227 Dog Key 5/32" Hex (Pkg of 10)              |        |
| 1        | 1        | 090005   | 227 Dog Key 5/32" Hex (Pkg of 2)               |        |
| 2        | 1        | 090040   | Hex Dog Shaft (Pkg of 2)                       |        |
| 3        | 1        | 107813   | Cylinder Mounting Pkg                          | X      |
| 3A       | 1        | 050525   | Cylinder Collar                                | X      |
| 3B       | 1        | 050490   | Cylinder Locating Washer - CD/SS               |        |
| 3C       | 1        | 050526   | Cylinder Locknut                               |        |
| 4        | 1        | 090046   | CD Dogging Plug (Pkg of 2)                     |        |
| 5        | 1        | 090045   | CD Actuator Arm (Pkg of 2)                     |        |
| 6        | 1        | *PBKIT   | 33A/35A Series Push Bar Retrofit Kit - 3' Door | X      |
| 6        | 1        | *PBKIT   | 33A/35A Series Push Bar Retrofit Kit - 4' Door | X      |
| 7        | 1        | 050014   | 33A/35A Series Series End Cap Kit              | X      |
| 7A       | 1        | 050524   | Impact Resistant End Cap Bracket               |        |
| 7B       | 1        | 090036   | Cover Plate Anti-rattle Spring (Pkg of 10)     |        |
| 8        | 1        | 900597   | Device End Cap and C/Case Screw Pkg.           | X      |
| 9        | 1        | 050486   | 33A Series Mechanism Case - 3' Door            | X      |
| 9        | 1        | 050487   | 33A Series Mechanism Case - 4' Door            | X      |
| 9        | 1        | 050488   | 35A Series Mechanism Case - 3' Door            | X      |
| 9        | 1        | 050489   | 35A Series Mechanism Case - 4' Door            | X      |
| 10       | 1        | 050529   | Control Link Pin & Ret. Ring                   |        |
| 10A      | 1        | 090031   | Series Control Link Pin                        |        |
| 10B      | 1        | 090107   | Retaining Ring (Pkg of 10)                     |        |
| 11       | 2        | 090037   | #8-32 x 3/8" Baseplate Screw (Pkg of 10)       |        |
| 12       | 1        | 050530   | Mechanism Case Bracket Kit                     |        |
| 12A      | 2        | 090073   | Mechanism Case Bracket Screw (Pkg of 10)       |        |
| 13**     | 1        | 050403   | 33A/35A Rim Center Case Less Cover             |        |
| 14       | 1        | 050474   | 33A Series Cover Plate - C. Case Side          | X      |
| 14       | 1        | 050475   | 35A Series Cover Plate - C. Case Side          | X      |
| 15       | 1        | 050483   | 33A/35A Rim Center Case Cover Kit              | X      |
| 16       | 1        | 050491   | Shock Absorber & Holder Assembly               |        |
| 17       | 2        | 090049   | Push Bar Guide (Pkg of 10)                     |        |
| 18       | 4        | 900892   | Center Case Cover Screws (Pkg of 4)            | X      |

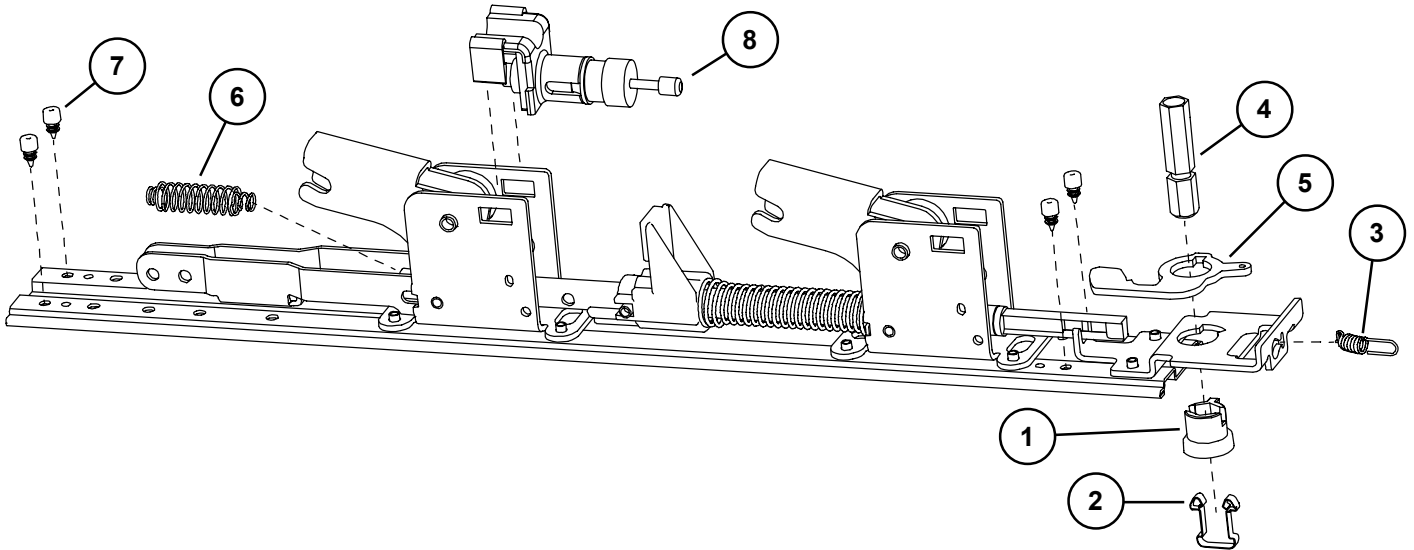
X in "Finish" column designates finished items; finish must be specified when ordering.

\* To order, specify device type, size, and finish. Example: PBKIT 33A 3' US28

\*\*Device mounting screws 900619 included.

## 33A/35A RIM PANIC DEVICE BASEPLATE ASSEMBLY

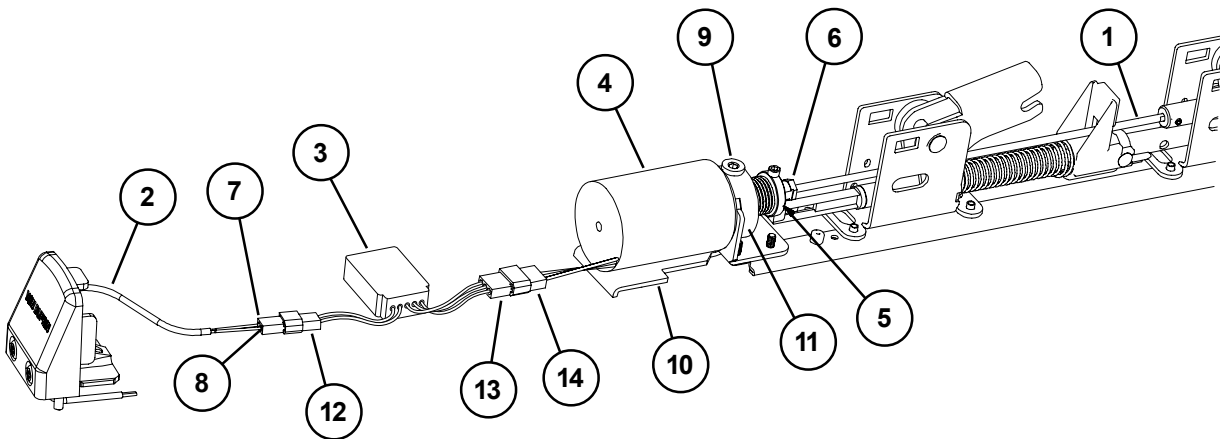
| Item No. | Quantity | Part No. | Description                       | Finish |
|----------|----------|----------|-----------------------------------|--------|
| 1        | 1        | 090043   | Dogging adapter (Pkg of 2)        |        |
| 2        | 1        | 090042   | Dogging adapter spring (Pkg of 2) |        |
| 3        | 1        | 090041   | Dogging spring (Pkg of 2)         |        |
| 4        | 1        | 090040   | Hex dogging shaft (Pkg of 2)      |        |
| 5        | 1        | 090044   | Dogging hook (Pkg of 2)           |        |
| 6        | 1        | 090039   | Latch return spring (Pkg of 10)   |        |
| 7        | 4        | 090038   | Rubber bumper (Pkg of 4)          |        |
| 8        | 1        | 050491   | Shock absorber                    |        |



## HD-EL33A/HD-EL35A HEX DOGGING/ELECTRIC LATCH RETRACTION OPTION - PANIC DEVICE ONLY

| Item No. | Quantity | Part No. | Description                          | Finish |
|----------|----------|----------|--------------------------------------|--------|
| 1        | 1        | 050531   | EL Dogging Rod Kit - 3' device       |        |
| 1        | 1        | 050532   | EL Dogging Rod Kit - 4' device       |        |
| 2        | 1        | 110388   | EL 6' Cable and Connector            |        |
| 3        | 1        | 050534   | EL Potted Module                     |        |
| 4        | 1        | 050536   | HD-EL Solenoid                       |        |
| 5        | 1        | 050537   | HD-EL Solenoid Plunger               |        |
| 6        | 1        | 050538   | EL Dogging Rod Retainer              |        |
| 7        | 1        | 050539   | EL Receptacle Connector - 2 Position |        |
| 8        | 2        | 050540   | EL Female Terminal                   |        |
| 9        | 1        | 050541   | HD-EL Dog Screw                      |        |
| 10       | 1        | 050542   | HD-EL Solenoid Bracket               |        |
| 11       | 1        | 050543   | HD-EL Dogging Spring                 |        |
| 12       | 1        | 990599   | EL Plug Connector - 2 Position       |        |
| 13       | 1        | 990857   | EL Receptacle Connector - 3 Position |        |
| 14       | 1        | 990858   | EL Plug Connector - 3 Position       |        |
| *        | 1        | 050384   | HD-EL Conversion Kit - 3'            |        |
| *        | 1        | 050385   | HD-EL Conversion Kit - 4'            |        |

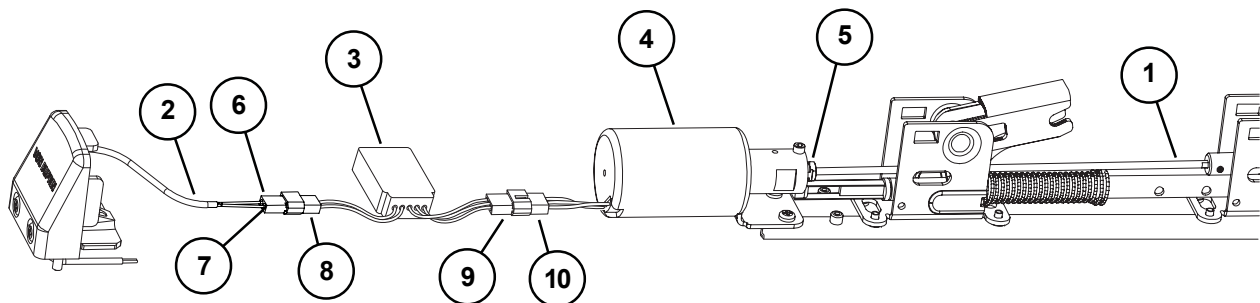
\*Kit includes items 1-11 plus new control link, retaining ring, and baseplate screws.



## EL33A/EL35A SERIES ELECTRIC LATCH RETRACTION OPTION

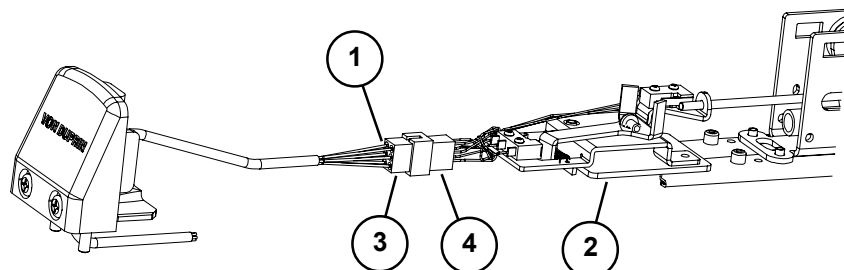
| Item No. | Quantity | Part No. | Description                          | Finish |
|----------|----------|----------|--------------------------------------|--------|
| 1        | 1        | 050531   | EL Dogging Rod Kit - 3' device       |        |
| 1        | 1        | 050532   | EL Dogging Rod Kit - 4' device       |        |
| 2        | 1        | 110388   | EL 6' Cable and Connector            |        |
| 3        | 1        | 050534   | EL Potted Module                     |        |
| 4        | 1        | 050535   | EL Solenoid Assembly                 |        |
| 5        | 1        | 050538   | EL Dogging Rod Retainer              |        |
| 6        | 1        | 050539   | EL Receptacle Connector              |        |
| 7        | 2        | 050540   | EL Female Terminal                   |        |
| 8        | 1        | 990599   | EL Plug Connector - 2 Position       |        |
| 9        | 1        | 990857   | EL Receptacle Connector - 3 Position |        |
| 10       | 1        | 990858   | EL Plug Connector - 3 Position       |        |
| *        | 1        | 050070   | EL Conversion Kit - 3'               |        |
| *        | 1        | 050078   | EL Conversion Kit - 4'               |        |

\*Kit includes items 1-7 plus new control link pin, retaining ring, and baseplate screws.



## SS33A/SS35A SERIES (SIGNAL SWITCH) OPTION

| Item No. | Quantity | Part No. | Description                          | Finish |
|----------|----------|----------|--------------------------------------|--------|
| 1        | 1        | 050544   | SS Cable                             |        |
| 2        | 1        | 050545   | SS Housing                           |        |
| 3        | 1        | 990601   | SS Plug Connector - 6 Position       |        |
| 4        | 1        | 990602   | SS Receptacle Connector - 6 Position |        |

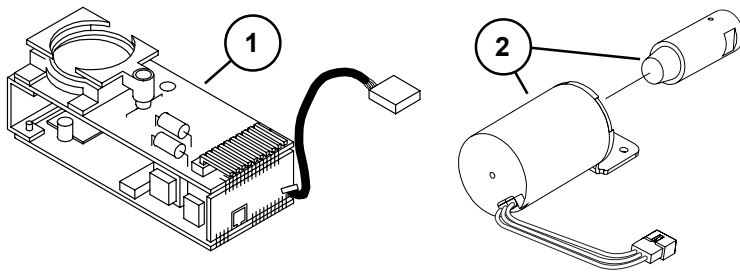




## CX33A/35A SERIES CHEXIT AND CX-RCM OPTION

| Item No. | Quantity | Part No. | Description                                | Finish |
|----------|----------|----------|--|--------|
| 1        | 1        | 050228   | Chexit PCB Kit - 15 Second Release         |        |
| 1*       | 1        | 050700   | Chexit PCB Kit - 30 Second Release         |        |
| 1        | 1        | 050701   | Chexit PCB Kit - 0 Second Release          |        |
| 1        | 1        | 050702   | Chexit PCB Kit - Boca 15 Second Release    |        |
| 1*       | 1        | 050703   | Chexit PCB Kit - Boca 30 Second Release    |        |
| 2        | 1        | 050533   | CX Solenoid and Plunger                    |        |
| 3        | 1        | 113111   | Faceplate and Adapter                      | X      |
| 4        | 4        | 963898   | 6-32 x 3/8" OPHMS Faceplate Screws         | X      |
| 5        | 1        | 991338   | RCM 2-Wire RX Cable                        |        |
| 6        | 1        | 991339   | RCM 3-Wire Solenoid Cable                  |        |
| 7        | 1        | 112018   | Chexit Wiring Assembly                     |        |
| 8        | 1        | 991336   | CX-RCM Cable Assy - 5 Wire                 |        |
| 9        | 1        | 090036   | Cover Plate Anti-rattle Spring (Pkg of 10) |        |
| 10       | 1        | 970513   | LED Cover Mask - Chexit                    |        |
| 11       | 1        | 970519   | LED Cover - Chexit                         |        |
| 12       | 1        | 113781   | Sign 15 Second - Chexit                    |        |
| 13       | 1        | 113782   | Sign 30 Second - Chexit                    |        |

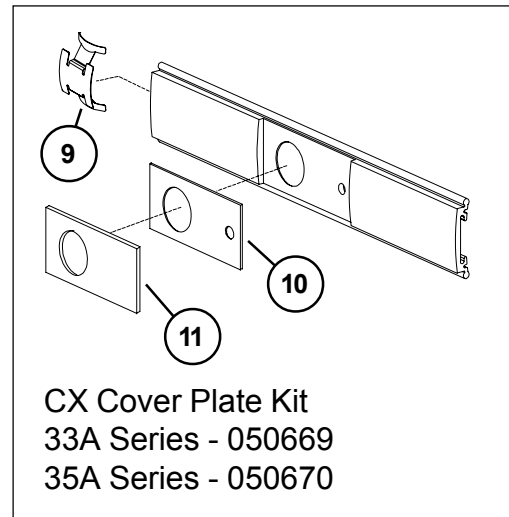
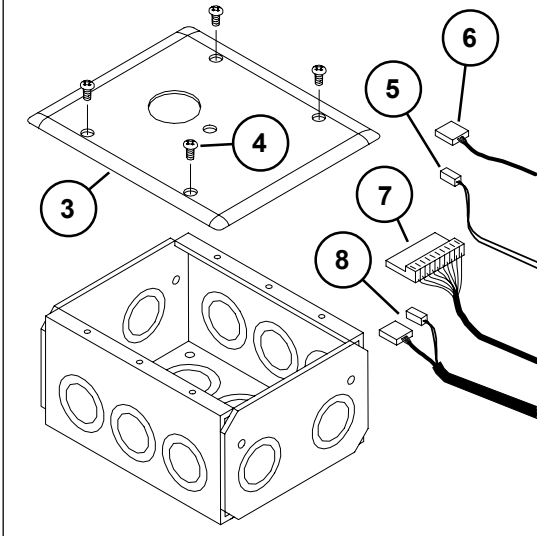
**\*Over 15 seconds delay requires a letter of approval from authority having local jurisdiction.  
Fax letter in with sales order. The order cannot be processed without the letter.**



\*RCM Kit Less Module - CX35A - 050376

\*RCM Kit Less Module - CX33A - 050375

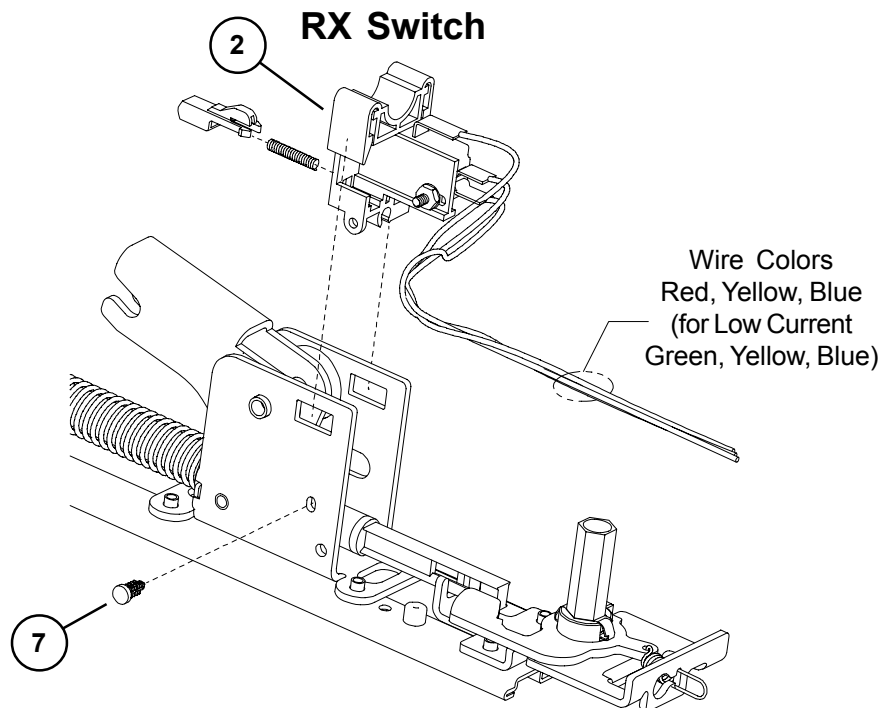
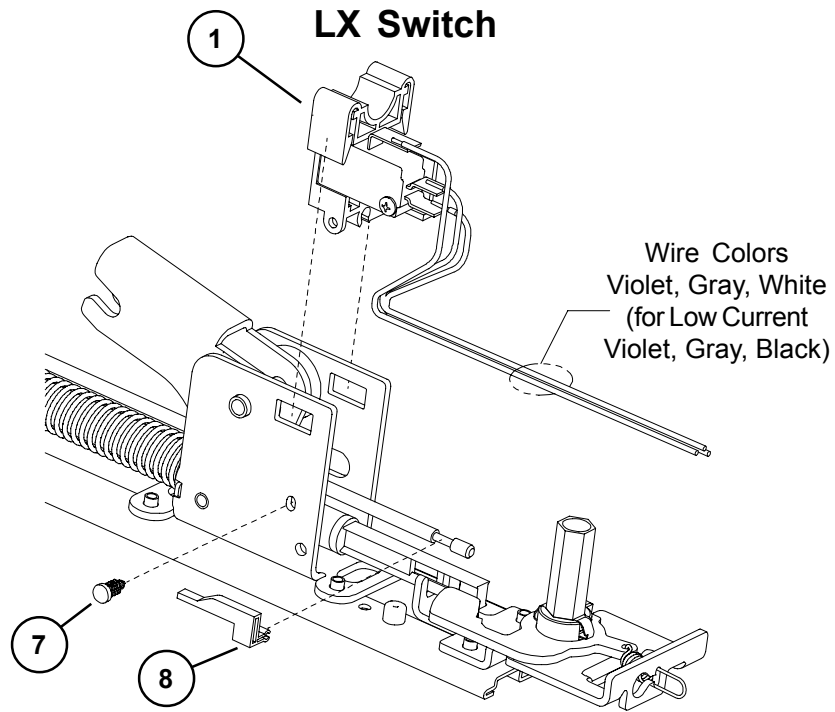
\*Includes items 3-11



**PUSH UNTIL ALARM SOUNDS  
DOOR CAN BE OPENED IN 15 SECONDS**

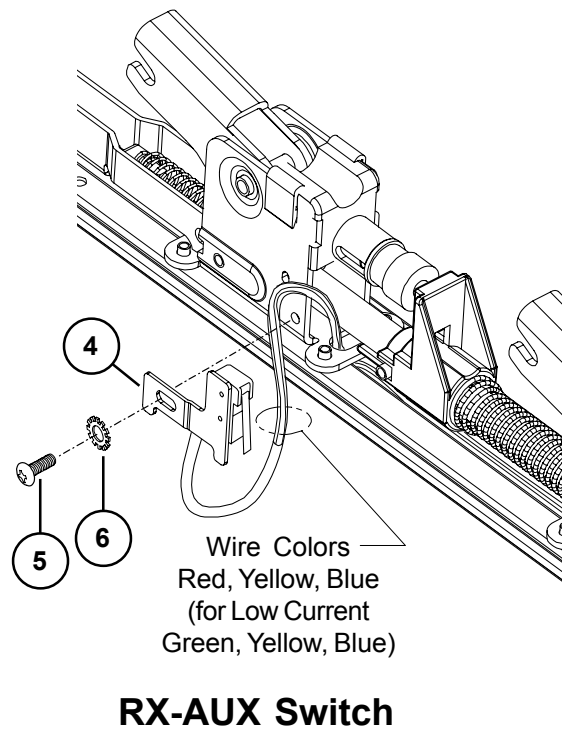
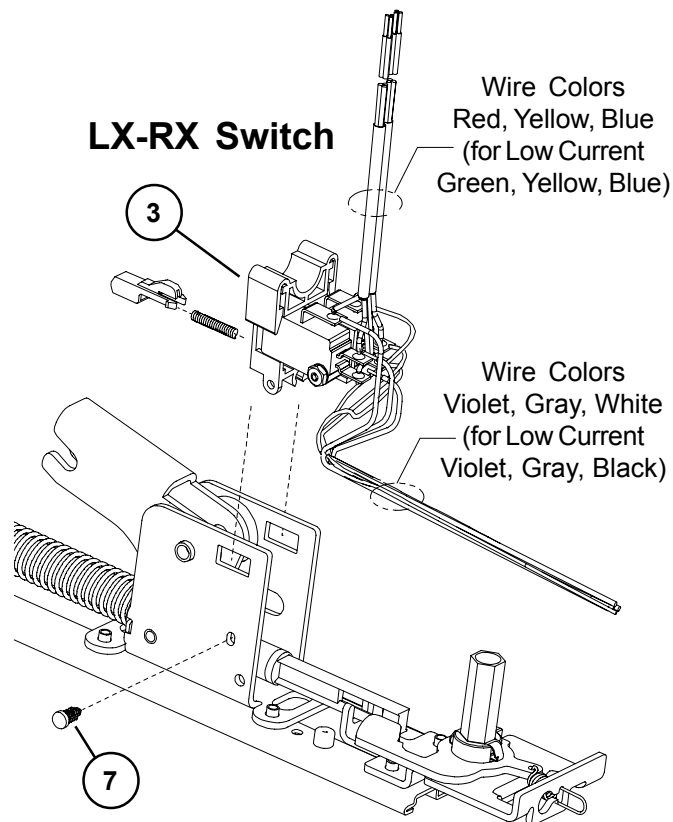


**PUSH UNTIL ALARM SOUNDS  
DOOR CAN BE OPENED IN 30 SECONDS**



## 33A/35A SERIES LX (LATCH BOLT MONITOR) & RX (REQUEST TO EXIT) OPTIONS

| Item No. | Quantity | Part No. | Description                              | Finish |
|----------|----------|----------|--|--------|
| 1        | 1        | 050254   | LX Switch Kit 3' Device                  |        |
| 1        | 1        | 050255   | LX Switch Kit 4' Device                  |        |
| 1        | 1        | 050247   | LX-EL Switch Kit                         |        |
| 1        | 1        | 050283   | LX-LC (Low Current) Switch Kit 3' Device |        |
| 1        | 1        | 050285   | LX-LC (Low Current) Switch Kit 4' Device |        |
| 1        | 1        | 050287   | LX-LC-EL (Low Current) Switch Kit        |        |
| 2        | 1        | 050251   | RX Switch Kit                            |        |
| 2        | 1        | 050281   | RX-LC (Low Current) Switch Kit           |        |
| 3        | 1        | 050256   | LX-RX Switch Kit 3' Device               |        |
| 3        | 1        | 050257   | LX-RX Switch Kit 4' Device               |        |
| 3        | 1        | 050259   | LX-RX-EL Switch Kit                      |        |
| 3        | 1        | 050289   | LX-RX-LC (Low Current) Sw. Kit 3' Device |        |
| 3        | 1        | 050291   | LX-RX-LC (Low Current) Sw. Kit 4' Device |        |
| 3        | 1        | 050293   | LX-RX-LC-EL (Low Current) Switch Kit     |        |
| 2 & 4    | 1        | 050270   | RX-2 Switch Kit                          |        |
| 4        | 1        | 050271   | RX-AUX Switch Kit                        |        |
| 5        | 1        | 964558   | 8-32 x 5/16" PPHMS                       |        |
| 6        | 1        | 964019   | #8 Washer                                |        |
| 7        | 1        | 090099   | Pine Tree Clip (Pkg of 10)               |        |
| 8        | 1        | 971091   | LX Actuator                              |        |



### 33A/35A ALK EXIT ALARM KIT

| Item No. | Quantity | Part No. | Description                                | Finish |
|----------|----------|----------|--|--------|
| 1        | 1        | 111795   | ALK PCB Assembly                           |        |
| 2        | 1        | 050525   | Cylinder Collar                            | X      |
| 3        | 1        | 969122   | ALK Alarm Device Sign                      |        |
| 4        | 1        | 969349   | ALK Arming Label                           |        |
| 5        | 1        | 969350   | ALK Disarming Label                        |        |
| 6        | 1        | 969354   | Retainer Nut                               |        |
| 7        | 1        | 970594   | ALK Cylinder Spacer                        |        |
| 8        | 1        | 090036   | Cover Plate Anti-rattle spring (Pkg of 10) |        |
| 9        | 1        | 971556   | ALK Switch Actuator                        |        |
| 10       | 1        | 971557   | ALK Cylinder Bracket                       |        |
| 11       | 1        | 990637   | ALK Battery                                |        |
| 12       | 1        | 050406   | 33A Series ALK Cover Plate Kit             | X      |
| 12       | 1        | 050407   | 35A Series ALK Cover Plate Kit             | X      |

X in "Finish" column designates finished items; finish must be specified when ordering.

