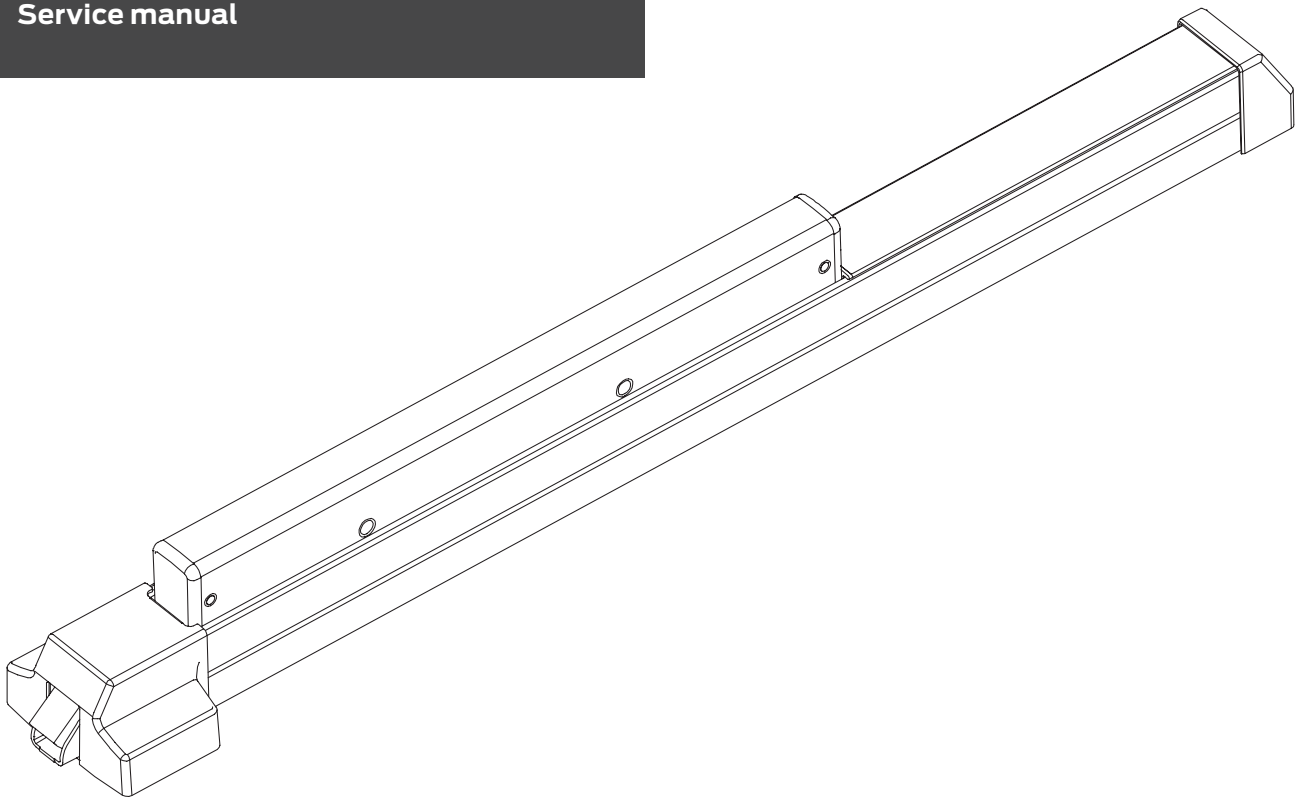


**VON DUPRIN®**

# 22 Series Rim Exit Device

Service manual



# INDEX

22 Rim Devices	
Basic Panic Device .....	4-5
Basic Fire Device .....	6-7
Baseplate Assemblies .....	8
Center Case Assembly .....	9
Variations of the Basic Device	
RX (Request to Exit) .....	10
LX (Latch Bolt Monitoring) .....	10
ALK Exit Alarm Kit .....	11
General Information	
Introduction .....	2
How to Order .....	2
Part Number Changes .....	2
Finishes .....	3
Outside Trim Functions .....	3
Strikes .....	3

## INTRODUCTION

This manual contains a listing of replaceable parts and assemblies for the 22 Rim Exit Hardware Devices.

## HOW TO ORDER

Some parts are sold separately. Other items are available as part of a kit or multiple quantity package. For the best possible service when ordering replacement parts or assemblies, please provide the following information:

- Part number or assembly number
- Description
- Quantity needed
- Finish desired (if available finished)
- Date of original purchase (if known)

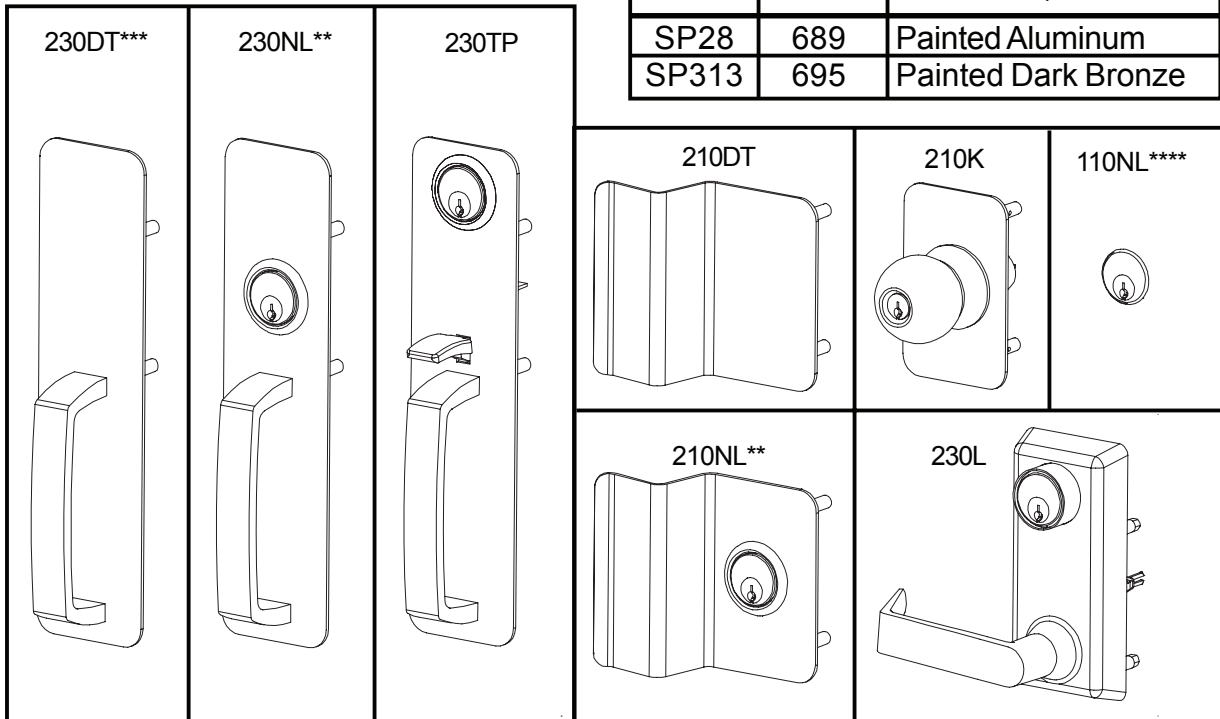
## PART NUMBER AND AVAILABILITY CHANGES

This manual was designed to help illustrate the replacement parts and kits that are available for sale. Because of changes to the product and/or manufacturing process, part numbers and availability can change over time.

## 22 SERIES FINISHES

### OUTSIDE TRIM FUNCTIONS

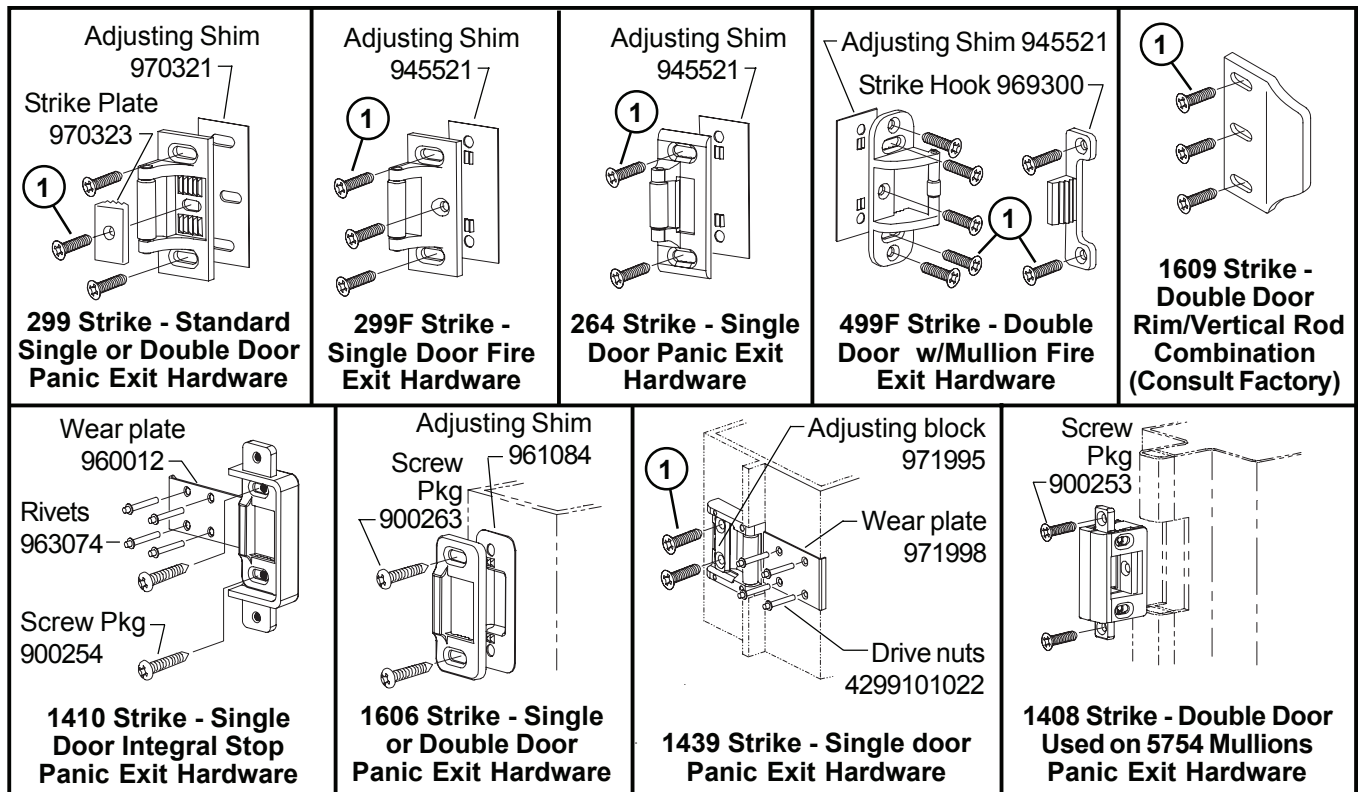
U.S. Std Reference	BHMA Reference	Description
SP28	689	Painted Aluminum
SP313	695	Painted Dark Bronze



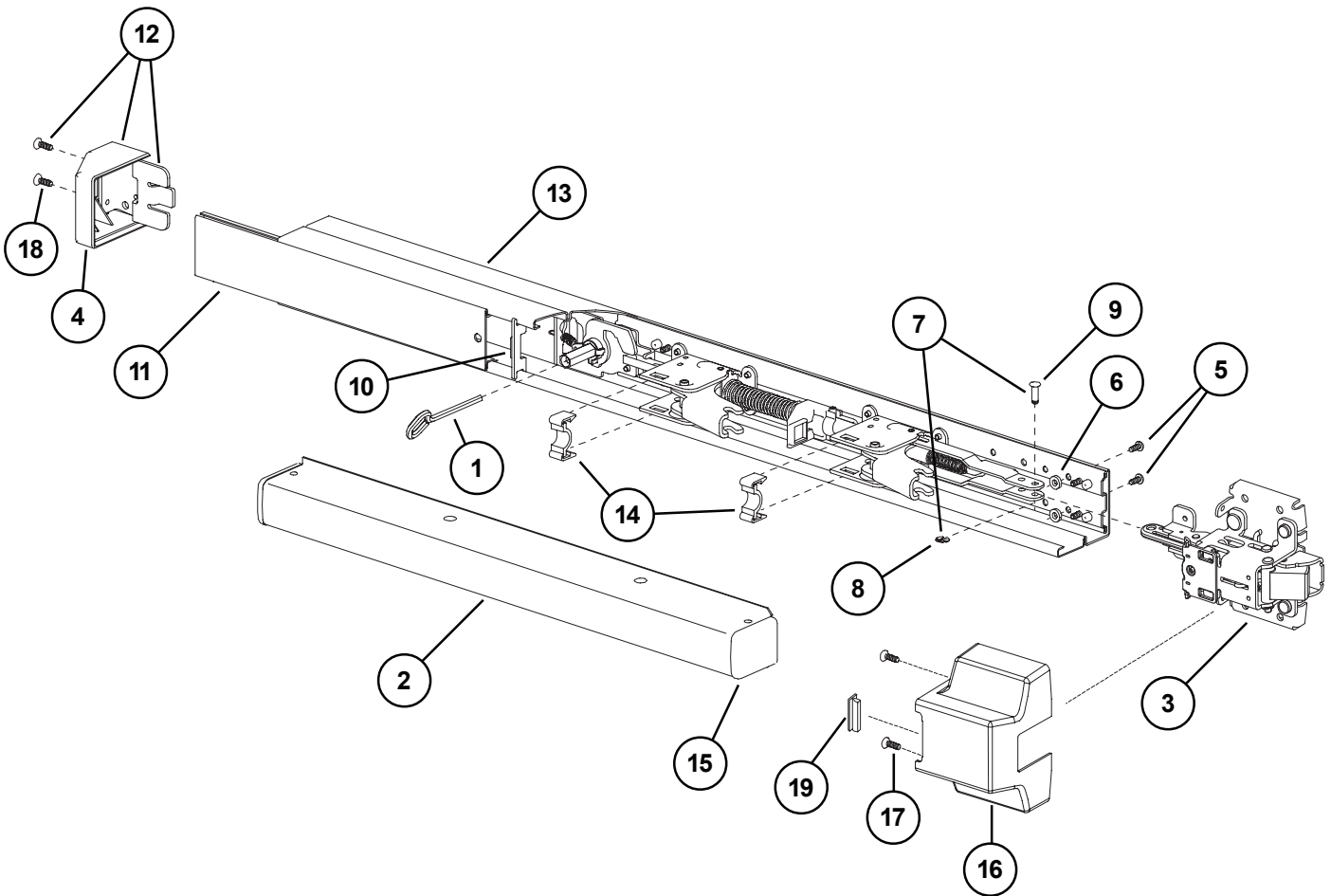
- \* "BE" (Blank Escutcheon) no cylinder used - lever always active
- \*\* "NL" (Night Latch) rigid lever - key retracts latch bolt
- \*\*\* "DT" (Dummy Trim) rigid lever for pull operation
- \*\*\*\* Optional Pull needs to be added

### STRIKES

- ① Metal Door Screw Package PKGSRV.1023 (Pkg of 10)
- Wood Door Screw 964291 (Qty of 1)



# 22 RIM PANIC DEVICE



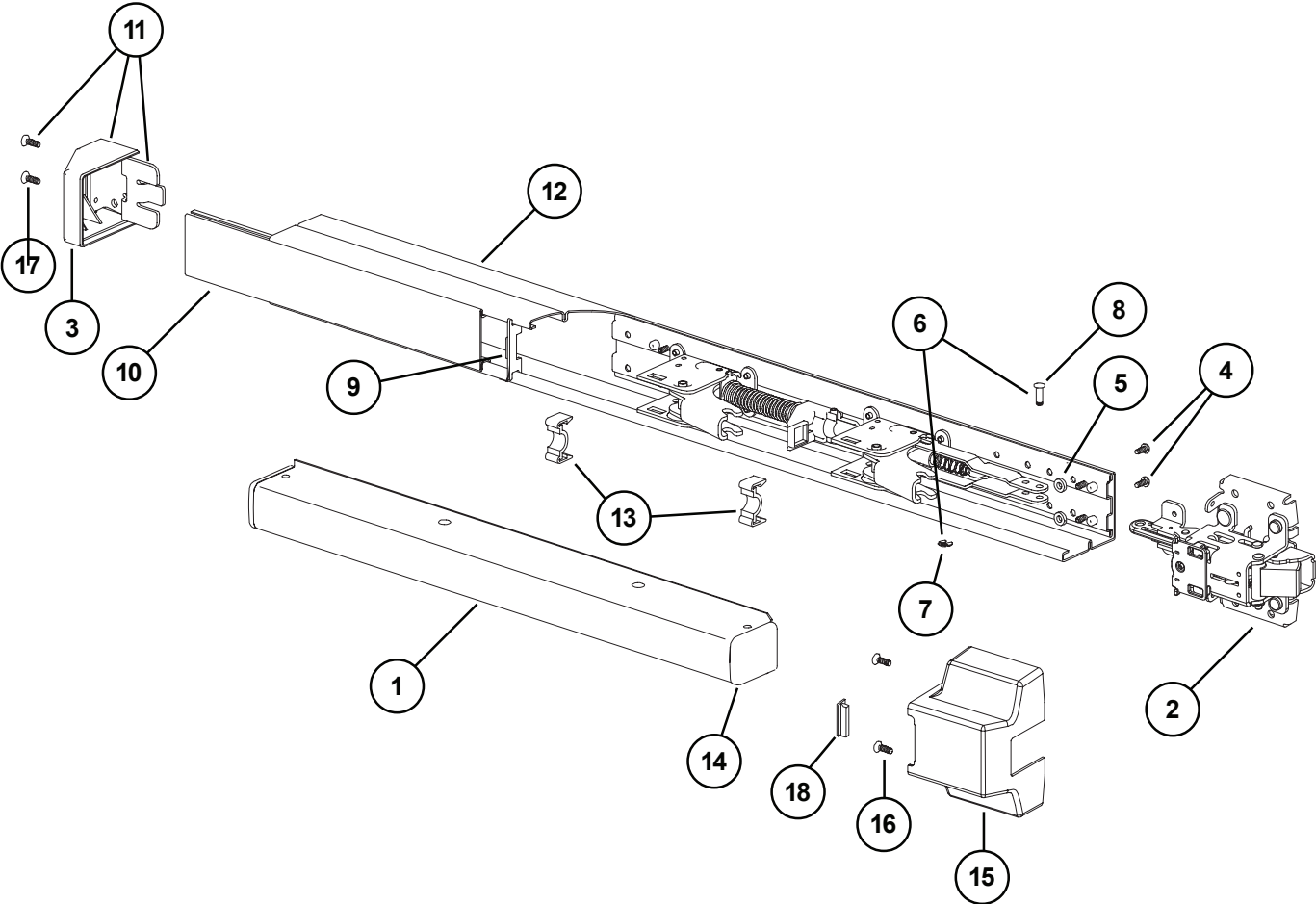
## 22 RIM PANIC DEVICE

Item No.	Quantity	Part No.	Description	Finish
	1	900561	22 Series Mounting Pkg. (1-3/4 & 2-1/4)	
1	1	090085	227 Dog Key 5/32" Hex (Pkg of 10)	
1	1	090005	227 Dog Key 5/32" Hex (Pkg of 2)	
2	1	*PBKIT	22 Series Push Bar Retrofit Kit - 3' Door	X
2	1	*PBKIT	22 Series Push Bar Retrofit Kit - 4' Door	X
3	1	109012	22 Rim Center Case Less Cover	
4	1	968601	22 Mechanism Case End Cap	
5	2	090037	Baseplate Screw (Pkg of 10)	
6	2	964013	3/8" x 3/16" x 3/32" Washer	
7	1	050529	22 Series Control Link Pin & Ret. Ring	
8	1	090107	Ret. Ring Pkg/10	
9	1	090031	Control Link Pin Pkg/10	
10	1	968592	Cover Plate Bearing Insert	
11	1	968595	22/2227 Cover Plate - 3' Dr	X
11	1	968596	22/2227 Cover Plate - 4' Dr	X
12	1	900981	22 End Cap Kit	
13	1	970035	22 Mechanism Case - 3' Dr	X
13	1	970036	22 Mechanism Case - 4' Dr	X
14	2	966268	Touch Bar Cover Bearing Insert	
15	1	968598	22 Push Bar End Cap	
16	1	968603	22/22-F Center Case Cover	X
17	2	090077	22 Series Center Case Cover Screw Pkg/4	X
18	2	964520	22 End Cap Screw	
19	1	966268	Touch Bar Cover Bearing Insert	

X in "Finish" column designates finished items; finish must be specified when ordering.

\* To order, specify device type, size, and finish. Example: PBKIT 22 3' SP28

# 22-F RIM FIRE DEVICE



## 22-F RIM FIRE DEVICE

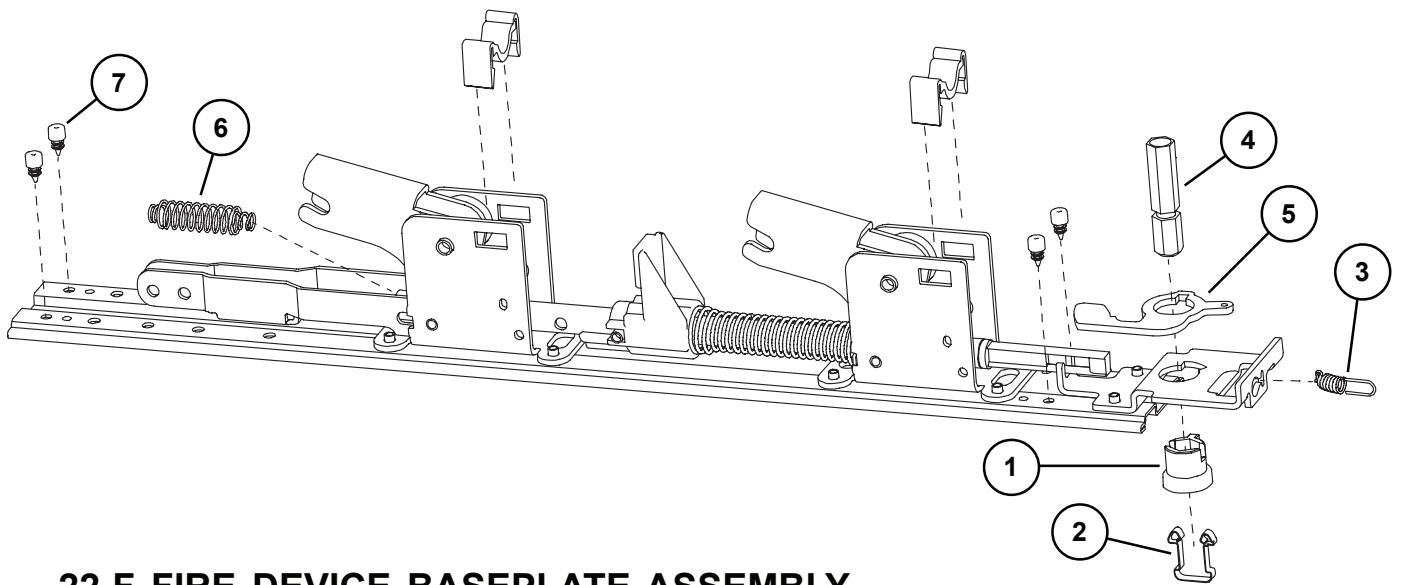
Item No.	Quantity	Part No.	Description	Finish
	1	900561	22 Series Mounting Pkg. (1-3/4 & 2-1/4)	
1	1	*PBKIT	22 Series Push Bar Retrofit Kit - 3' Door	X
1	1	*PBKIT	22 Series Push Bar Retrofit Kit - 4' Door	X
2	1	109915	22-F Rim Center Case Less Cover	
3	1	968601	22 Mechanism Case End Cap	
4	2	090037	Baseplate Screw (Pkg of 10)	
5	2	964013	3/8" x 3/16" x 3/32" Washer	
6	1	050529	22 Series Control Link Pin & Ret. Ring	
7	1	090107	Ret. Ring Pkg/10	
8	1	090031	Control Link Pin Pkg/10	
9	1	968592	Cover Plate Bearing Insert	
10	1	969127	22/2227-F Cover Plate - 3' Dr	X
10	1	969126	22/2227-F Cover Plate - 4' Dr	X
11	1	900981	22 End Cap Kit	
12	1	970035	22 Mechanism Case - 3' Dr	X
12	1	970036	22 Mechanism Case - 4' Dr	X
13	2	966268	Touch Bar Cover Bearing Insert	
14	1	968598	22 Push Bar End Cap	
15	1	968603	22/22-F Center Case Cover	X
16	2	090077	22 Series Center Case Cover Screw Pkg/4	X
17	2	964520	22 End Cap Screw	
18	1	966268	Touch Bar Cover Bearing Insert	

X in "Finish" column designates finished items; finish must be specified when ordering.

\* To order, specify device type, size, and finish. Example: PBKIT 22 3' SP28

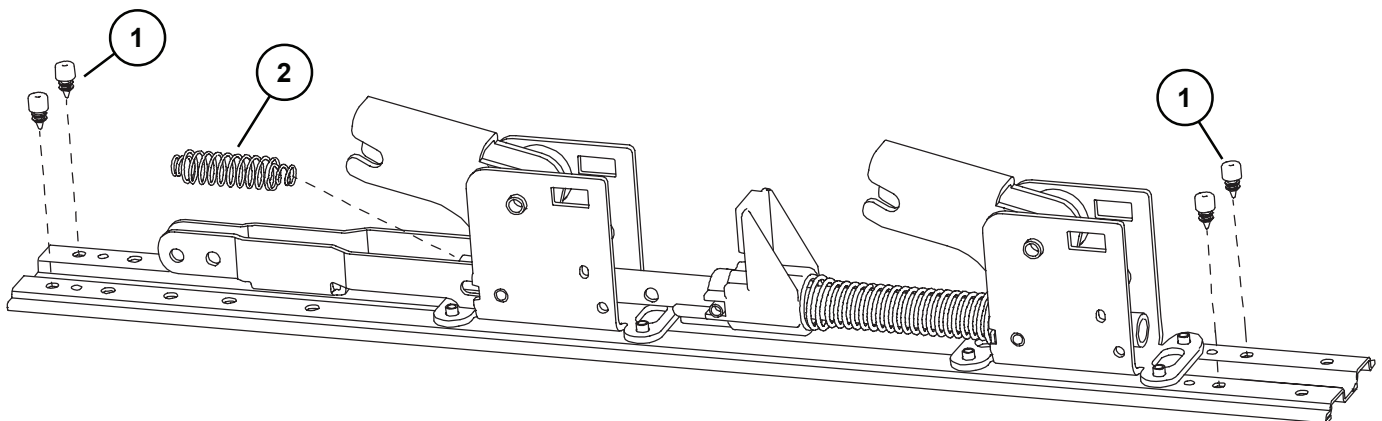
## 22 RIM PANIC DEVICE BASEPLATE ASSEMBLY

Item No.	Quantity	Part No.	Description	Finish
1	1	090043	Dogging adapter (Pkg of 2)	
2	1	090042	Dogging adapter spring (Pkg of 2)	
3	1	090041	Dogging spring (Pkg of 2)	
4	1	090040	Hex dogging shaft (Pkg of 2)	
5	1	090044	Dogging hook (Pkg of 2)	
6	1	090039	Latch return spring (Pkg of 10)	
7	4	090038	Rubber bumper (Pkg of 4)	
8	2	090048	Baseplate Bearing Strip (Pkg of 2)	



## 22-F FIRE DEVICE BASEPLATE ASSEMBLY

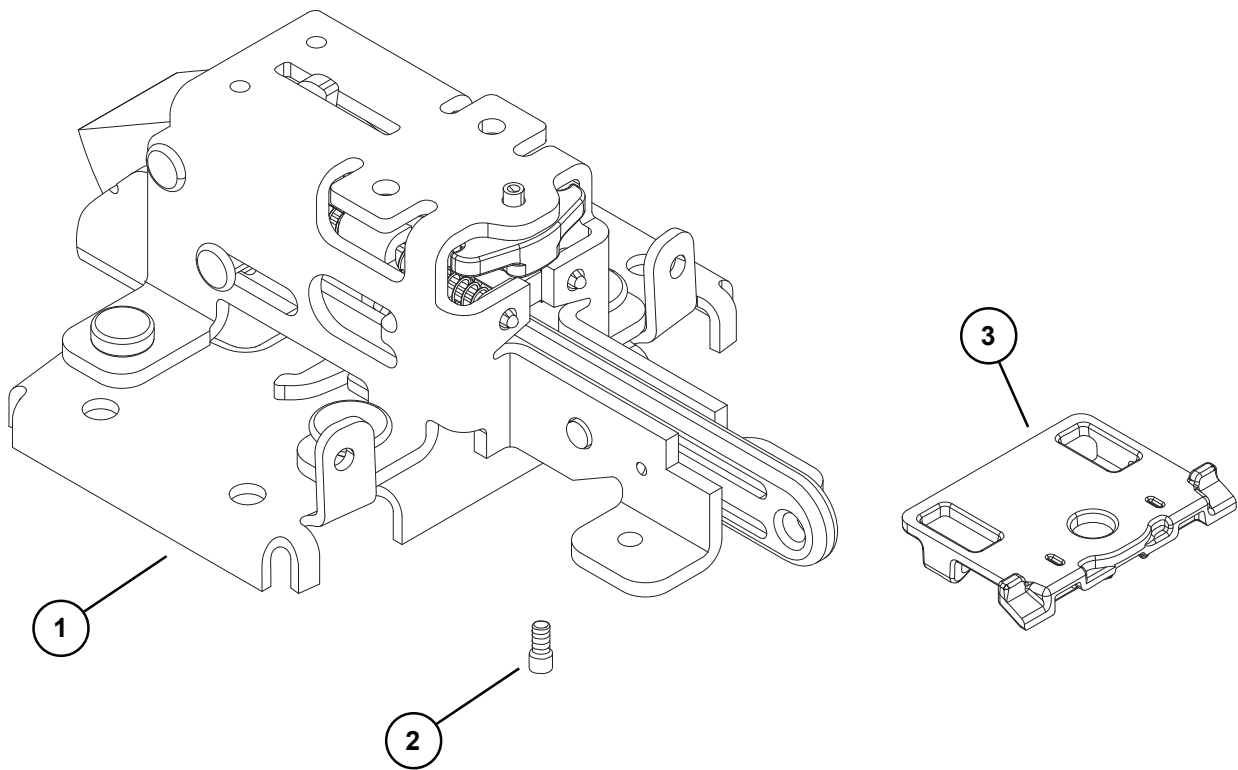
Item No.	Quantity	Part No.	Description	Finish
1	4	090038	Rubber bumper (Pkg of 4)	
2	1	090039	Latch return spring (Pkg of 10)	





## 22 PANIC & 22-F FIRE DEVICE CENTER CASE ASSEMBLY

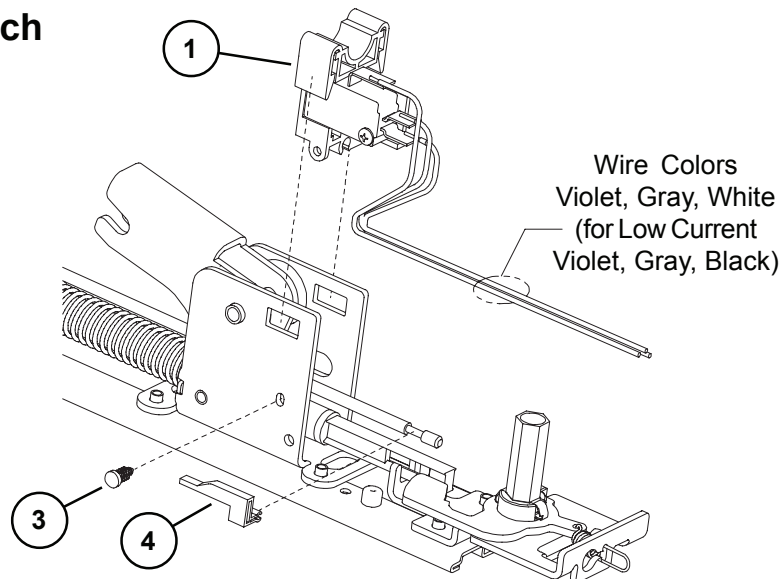
Item No.	Quantity	Part No.	Description	Finish
1	1	109012	22 Rim Center Case Less Cover	
1	1	109915	22-F Center Case Less Cover	
2	1	090074	NL Drive Screw (Pkg of 10)	
3	1	965409	22/2227 Pushbar Stop	



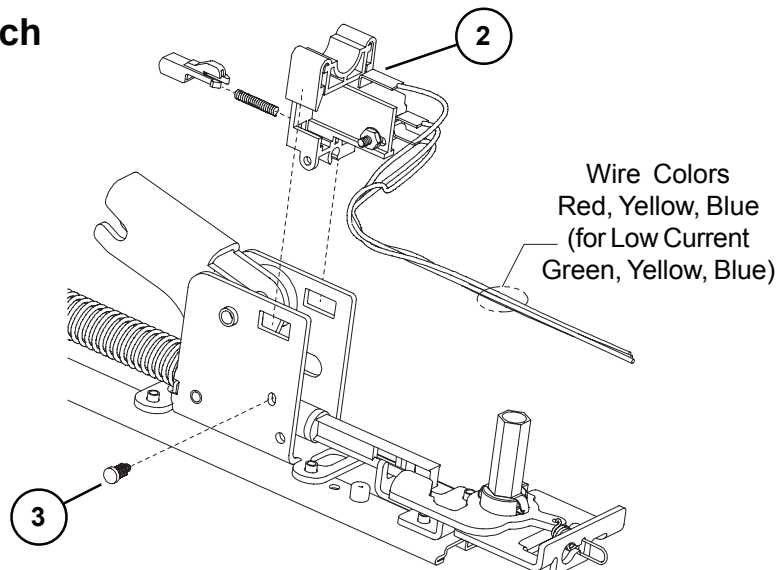
## 22 SERIES LX (LATCH BOLT MONITOR) & RX (REQUEST TO EXIT) OPTIONS

Item No.	Quantity	Part No.	Description	Finish
1	1	050254	LX Switch Kit 3' Device	
1	1	050255	LX Switch Kit 4' Device	
1	1	050283	LX-LC (Low Current) Switch Kit 3' Device	
1	1	050285	LX-LC (Low Current) Switch Kit 4' Device	
2	1	050251	RX Switch Kit	
2	1	050281	RX-LC (Low Current) Switch Kit	
3	1	090099	Pine Tree Clip (Pkg of 10)	
4	1	971091	LX Actuator	

### LX Switch



### RX Switch



## 22 ALK EXIT ALARM KIT

Item No.	Quantity	Part No.	Description	Finish
1	1	111795	ALK PCB Assembly	
2	1	967704	Cylinder Collar	X
3	1	969122	ALK Alarm Device Sign	
4	1	969349	ALK Arming Label	
5	1	969350	ALK Disarming Label	
6	1	969354	Retainer Nut	
7	1	970594	ALK Cylinder Spacer	
8	1	971556	ALK Switch Actuator	
9	1	971557	ALK Cylinder Bracket	
10	1	990637	ALK Battery	
11	1	971470	22 ALK Cover Plate - 3' Dr	X
11	1	971471	22 ALK Cover Plate - 4' Dr	X

X in "Finish" column designates finished items; finish must be specified when ordering.

