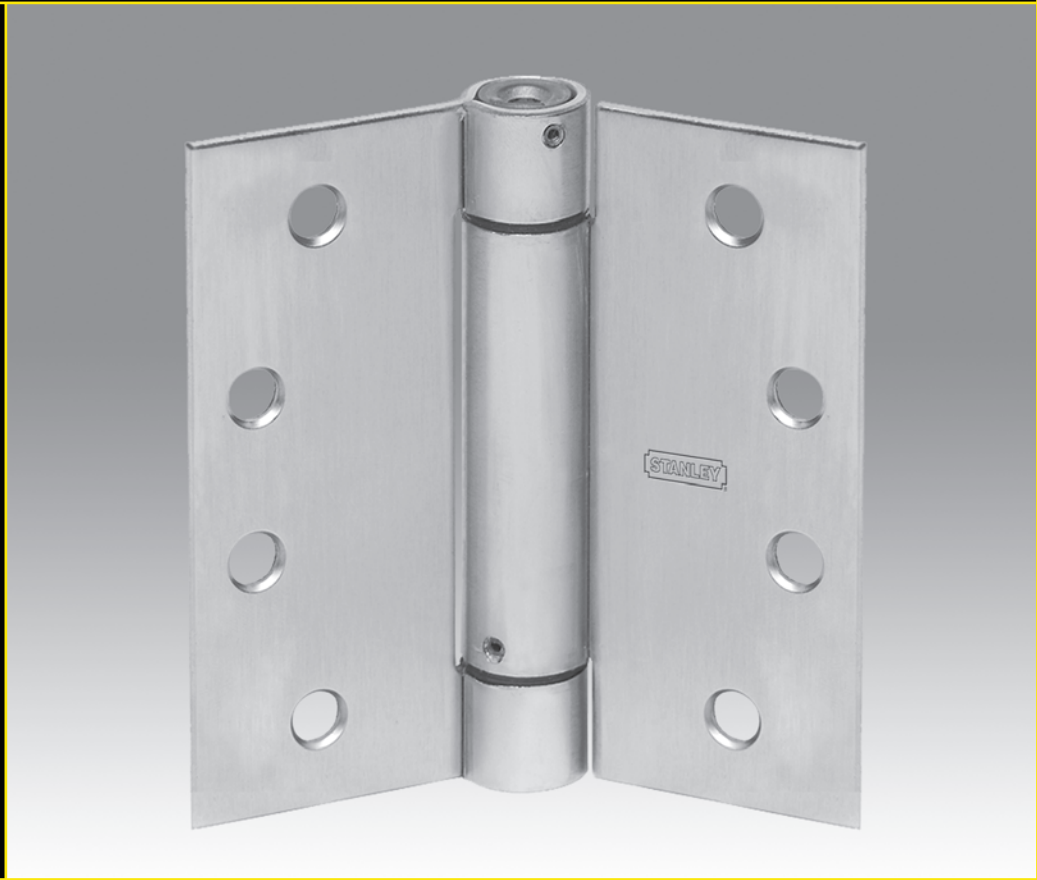


STANLEY[®]
Security Solutions



SPRING HINGES

UL LISTED

STANLEY[®]

SPRING HINGES



- 2060R** – (ANSI K81071F) Square corners – steel-polished and plated or phosphated and prime coated for painting
- 2060R (32)** – (ANSI K51071F) Square corners – stainless steel – highly polished
- 2060R (32D)** – (ANSI K51071F) Square corners – stainless steel – satin finish

RD2060R – (ANSI K81071F) 1/4" (6mm) Radius corners – steel-polished and plated or phosphated and prime coated for painting

RD2060R (32) – (ANSI K51071F) 1/4" (6mm) Radius corners – stainless steel – highly polished

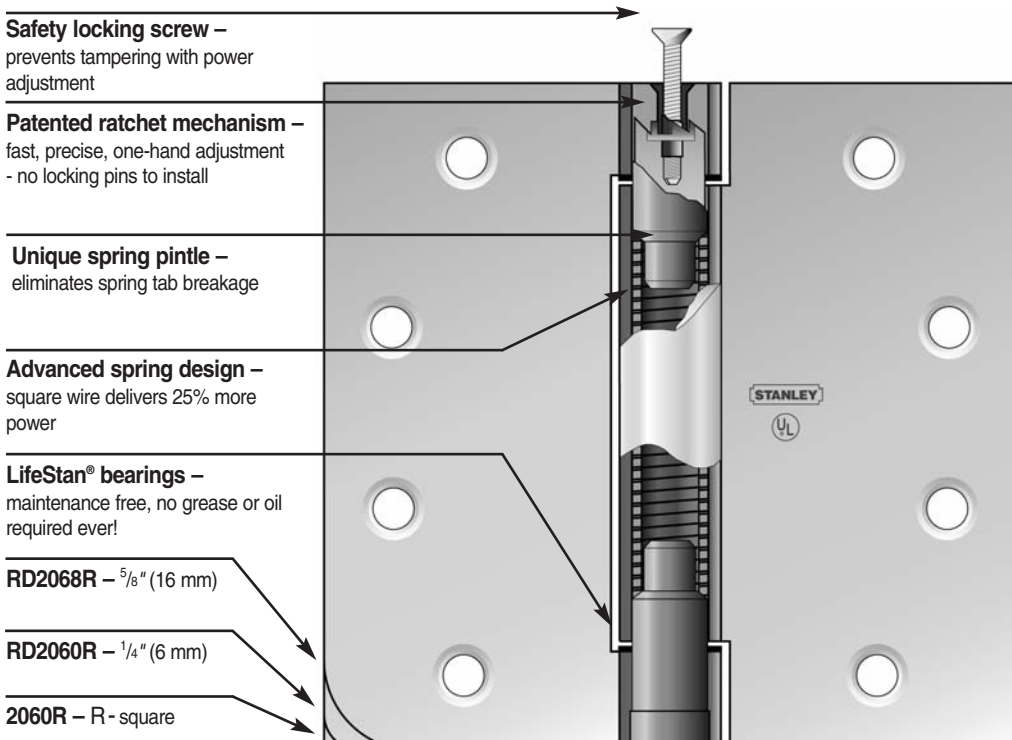
RD2060R (32D) – (ANSI K51071F) 1/4" (6mm) Radius corners – stainless steel – satin finish

RD2068R – (ANSI K81071F) 5/8" (16mm) Radius corners – Steel-polished and plated or phosphated and prime coated for painting

RD2068R (32) – (ANSI K51071F) 5/8" (16mm) Radius corners – stainless steel – highly polished

RD2068R (32D) – (ANSI K51071F) 5/8" (16mm) Radius corners – stainless steel – satin finish

- For labeled fire doors, stairwell doors, motel and hotel guest room doors, apartment unit entrance doors.
- Meets NFPA80 standard for 3 hour fire doors (NFPA-80 stipulates minimum of 2 spring hinges shall be used on labeled doors)
- 4 1/2" (114mm) size – UL listed for door up to 4' x 8' (1219 x 2438mm)
- 4" (102mm) size – approved for door up to 3' x 7' (914 x 2134mm)
- 3 1/2" (89mm) size – approved for door up to 2' 8" x 7' (813 x 2134mm)
- LifeSpan Limited lifetime warranty for the life of the building
- Internal ratchet mechanism eliminates loose adjustment pins
- Closing power is adjustable up or down
- Excellent alternative to more expensive overhead mounted closers
- Hinges can be furnished as follows:
 - with decorative tips
 - with electric switches (CS) – 4 1/2" (114 mm) only
 - Special screw hole pattern



Adjusting Instructions

Fig. 1

To Increase Torque (Fig 1)

- Close door
- Engage 5/32" hex wrench
- Rotate clockwise to increase torque
- Do not exceed 6 ratchet "clicks"

Fig. 2

To Decrease Torque (Fig 2)

- Close door
- Engage 5/32" hex wrench
- Depress wrench to disengage ratchet
- Let wrench rotate counter-clockwise to new setting
- Allow wrench to rise

Fig. 3

Install Locking Safety Screw (Fig 3)

- Install 6-32 5/8" recessed head machine screw packed with hinge

2060R, RD2060R, RD2068R – 4 1/2" 



Application guide lines for 2060R, RD2060R, RD2068R 4 1/2" x 4" and 4 1/2" x 4 1/2"

Size Open (Inches) (MM)	Gauge of Metal (Inches) (MM)	Flat Head Screws Per Piece		Quantity Per Box	Quantity Per Case	Case Weight	
		Machine	Wood			(Lbs.)	(Kg)
4 1/2 x 4 (114x102)	.134 (3.4)	8-12-24 x 1/2	8-12 x 1 1/4	3 EA.	48 EA.	50	(23)
4 1/2 x 4 1/2 (114x114)	.134 (3.4)	8-12-24 x 1/2	8-12 x 1 1/4	3 EA.	48 EA.	53	(24)

Door Size and Weight	Number of Spring Hinges Required
For doors up to 80 lbs. (36Kg) not exceeding 3' 0" x 7' 6" x 1 3/4" (914 x 2286 x 44mm)	1 each No. 2060R, RD2060R or RD2068R with 2 each anti-friction bearing hinges of same size
For doors up to 130 lbs. (59Kg) not exceeding 3' 0" x 7' 6" x 1 3/4" (914 x 2286 x 44mm)	2 each No. 2060R, RD2060R or RD2068R with 1 each anti-friction bearing hinges of same size
For doors up to 180 lbs. (81.6Kg) not exceeding 3' 0" x 7' 6" x 1 3/4" (914 x 2286 x 44mm)	3 each No. 2060R, RD2060R or RD2068R
For doors up to 180 lbs. (81.6Kg) not exceeding 4' 0" x 8' 0" x 1 3/4" (1219 x 2438 x 44mm)	4 each No. 2060R, RD2060R or RD2068R

When drafts or wind conditions exist, or carpets, door bottoms, bowed or twisted doors or frames, pivot point misalignment or improper latch adjustment affect either the free swinging or latching of the door, additional spring hinges may be required.

* NFPA-80 stipulates minimum of 2 spring hinges shall be used on labeled doors.
 ** For fire doors refer to NFPA-80, section 6.4.3.1.

2060R, RD2060R, RD2068R – 4"



Application guide lines for 2060R, RD2060R, RD2068R 4" x 4"

Size Open (Inches) (MM)	Gauge of Metal (Inches) (MM)	Flat Head Screws Per Piece		Quantity Per Box	Quantity Per Case	Case Weight	
		Machine	Wood			(Lbs.)	(Kg)
4 x 4 (102x102)	.099 (2.5)	8-12-24 x 1/2 with #9 head	8-9 x 1	2 EA.	50 EA.	38	(17)

Door Size and Weight	Number of Spring Hinges Required
For doors up to 3' 0" x 7' 0" x 1 3/4" (914 x 2134 x 44mm) not exceeding 50 lbs. (23Kg)	1 each No. 2060R, RD2060R or RD2068R with 2 each similar sized hinges
For doors up to 3' 0" x 7' 0" x 1 3/4" (914 x 2134 x 44mm) not exceeding 85 lbs. (39Kg)	2 each No. 2060R, RD2060R or RD2068R with 1 each similar sized hinge
For doors up to 3' 0" x 7' 0" x 1 3/4" (914 x 2134 x 44mm) not exceeding 110 lbs. (50Kg)	3 each No. 2060R, RD2060R or RD2068R

Similar sized hinges used with spring hinges must present the same pivot point. When used as part of a complete listed assembly similar hinges must be the same as those tested. Otherwise, anti-friction hinges must be used.

* NFPA-80 stipulates minimum of 2 spring hinges shall be used on labeled doors.
 ** For fire doors refer to NFPA-80, section 6.4.3.1.

2060R, RD2060R, RD2068R – 3 1/2"



Application guide lines for 2060R, RD2060R, RD2068R 3 1/2" x 3 1/2"

Size Open (Inches) (MM)	Gauge of Metal (Inches) (MM)	Flat Head Screws Per Piece		Quantity Per Box	Quantity Per Case	Case Weight	
		Machine	Wood			(Lbs.)	(Kg)
3 1/2 x 3 1/2 (89x89)	.099 (2.5)	6-10-24 x 1/2 with #9 head	6-9 x 1	2 EA.	50 EA.	32	(15)

Door Size and Weight	Number of Spring Hinges Required
For doors up to 3' 0" x 7' 0" x 1 3/8" (914 x 2134 x 35mm) not exceeding 50 lbs. (23Kg)	1 each No. 2060R, RD2060R or RD2068R with 2 each similar sized hinges
For doors up to 3' 0" x 7' 0" x 1 3/8" (914 x 2134 x 35mm) not exceeding 85 lbs. (39Kg)	2 each No. 2060R, RD2060R or RD2068R with 1 each similar sized hinge
For doors up to 3' 0" x 7' 0" x 1 3/8" (914 x 2134 x 35mm) not exceeding 110 lbs. (50Kg)	3 each No. 2060R, RD2060R or RD2068R

Similar sized hinges used with spring hinges must present the same pivot point. When used as part of a complete listed assembly similar hinges must be the same as those tested. Otherwise, anti-friction hinges must be used.

* NFPA-80 stipulates minimum of 2 spring hinges shall be used on labeled doors.
 ** For fire doors refer to NFPA-80, section 6.4.3.1.

SPRING HINGES

2079 SPRING HINGES AND FREE SWINGING HINGE SETS

1 set 2079 4 1/2" x 4 1/2" US3 (632) EDP# 82-7162 to consist of:

- 2 each 2060R 4 1/2" x 4 1/2" US3, Steel
- 1 each FBB179 4 1/2" x 4 1/2" US3, Steel

1 set 2079 4 1/2" x 4 1/2" USP (600) EDP# 82-7170 to consist of:

- 2 each 2060R 4 1/2" x 4 1/2" USP, Steel
- 1 each FBB179 4 1/2" x 4 1/2" USP, Steel

1 set 2079 4 1/2" x 4 1/2" US26D (652) EDP# 82-7188 to consist of:

- 2 each 2060R 4 1/2" x 4 1/2" US26D, Steel
- 1 each FBB179 4 1/2" x 4 1/2" US26D, Steel

- For medium weight doors of average frequency
- Installer uses one box of hinges on a door up to 7' 6" (2286mm) in height
- All hinges have template screw hole location to use on either wood or hollow metal doors and frames
- Identical pivot point for all 3 hinges
- Can be used on labeled doors (Refer to NFPA-80)
- 2060R conforms to ANSI K81071F
- FBB179 conforms to ANSI A8112



FBB179



2060R

Application guide lines for 2060R – 4 1/2"

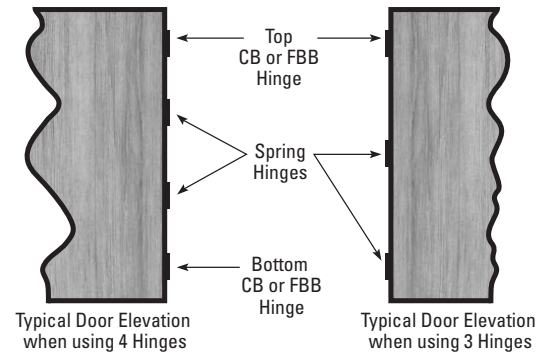
Door Size and Weight	Number of Spring Hinges Required
For doors up to 130lbs. (59 Kg) not exceeding 3' 0" x 7' 6" x 1 3/4" (914 x 2286 x 44mm)	2 each No. 2060R, RD2060R or RD2068R with 1 each anti-friction bearing hinges of same size

When drafts or wind conditions exist, or carpets, door bottoms, bowed or twisted doors or frames, pivot point misalignment or improper latch adjustment affect either the free swinging or latching of the door, additional spring hinges may be required.

* NFPA-80 stipulates minimum of 2 spring hinges shall be used on labeled doors.

** For fire doors refer to NFPA-80, section 6.4.3.1.

Spring Hinge Location, When Using 2 Spring Hinges On a Door



Class Number	Size Open (Inches) (MM)	Gauge of Metal (Inches) (MM)	Flat Head Screws Per Set		Quantity Per Box	Quantity Per Case	Case Weight (Lbs.) (Kg)	
			Machine	Wood				
2079	4 1/2 x 4 1/2 (114x114)	.134 (3.4)	24-12-24 x 1/2	24-12 x 1 1/4	1 SET	16 SETS	55 (25)	

Product information contained in this catalog has been compiled and presented with as much care and completeness as is reasonably possible. Errors or mistakes may be present, and in many cases, reliance has been placed on information supplied by other manufacturers which may be in error or which may be subject to changes or modifications by the manufacturer without notice and without obligation. Therefore, no guarantee can be made or should be assumed or implied with regards to product information contained in this catalog.

STANLEY
Security Solutions
Stanley Security Solutions, Inc.