

HINGES & PIVOTS CONCEALED BEARING

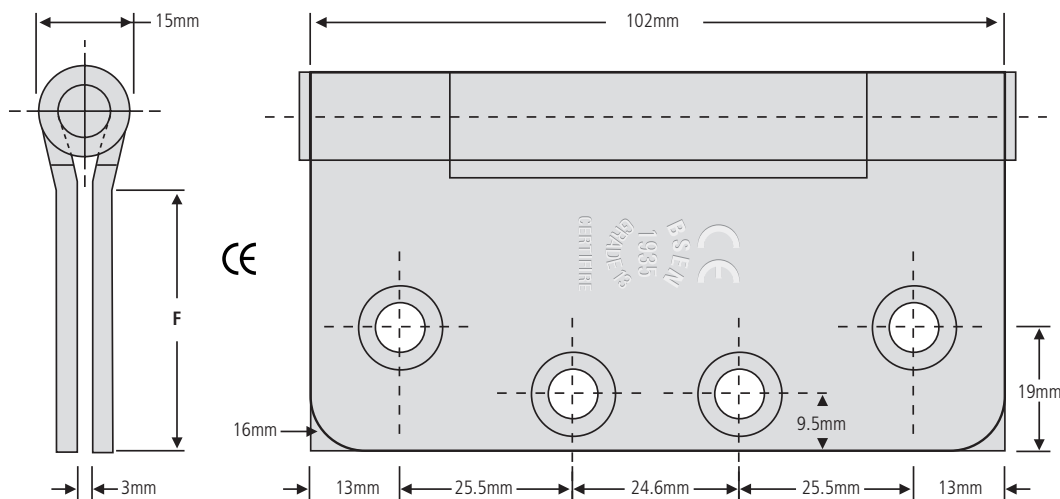
REL.CB1960Rtemplate



REL.CB1960R Full Mortice Template Hinges

Template No. REL.E102

Sizes: 102mm x 76mm, 102mm x 89mm and 102mm x 102mm



DO NOT SCALE

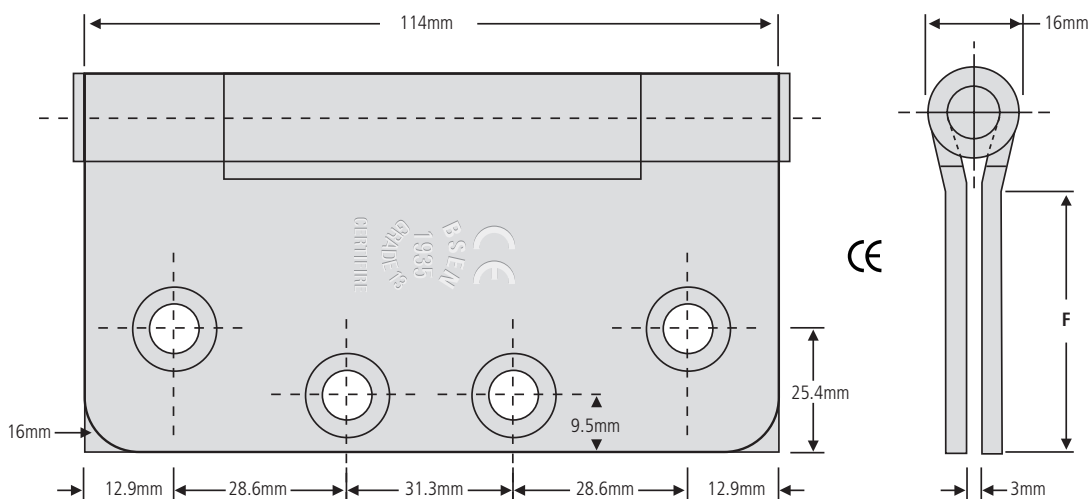
- CE-EC Certificate of Conformity 1720-CPD-0020
- Certifire Approved
- Manufacturing Facility ISO 9001 & ISO 14001 Certified
- Limited **LifeSpan** Warranty - for the life of the building
- Grade 304 Stainless Steel

Available options

- HT - Hospital Tip
- NRP - Non-removable Pin
- RD - Radius Corners (16mm standard)
- SEC - Security Stud (15mm standard)

Template No. REL.E114

Sizes: 114mm x 102mm only



DO NOT SCALE

BS EN 1935:2002

- Hinge Grade - 13
- Number of Test Cycles - 200,000
- Test Mass of Hinged Element - 120 kilos

Important Note: The test mass element of 120 kilos must not be interpreted as the maximum recommended capacity of all hinges passing this test successfully.

Please refer to the Hinge Selection Guide on page 8 for definitive guidance.

Similarly, the number of test cycles should not be interpreted as the maximum number of available cycles for doors incorporating this hinge. Under certain circumstances doors may exceed this figure significantly.

Class Code	Gauge of Metal	Distance from Edge of Leaf to Swage Line (F)			
		102mm x 76mm	102mm x 89mm	102mm x 102mm	114mm x 102mm
REL.CB1960R	3.3mm	27mm	33mm	41mm	-
REL.RD.CB1960R	3.3mm	27mm	33mm	41mm	-
REL.CB1960R	3.4mm	-	-	-	41mm
REL.RD.CB1960R	3.4mm	-	-	-	41mm

Supplied Screws: Pozidriv wood screws - No. 12 x 32mm (8 per hinge).
Box Quantity: 3 off singles per box (48 off singles per case).