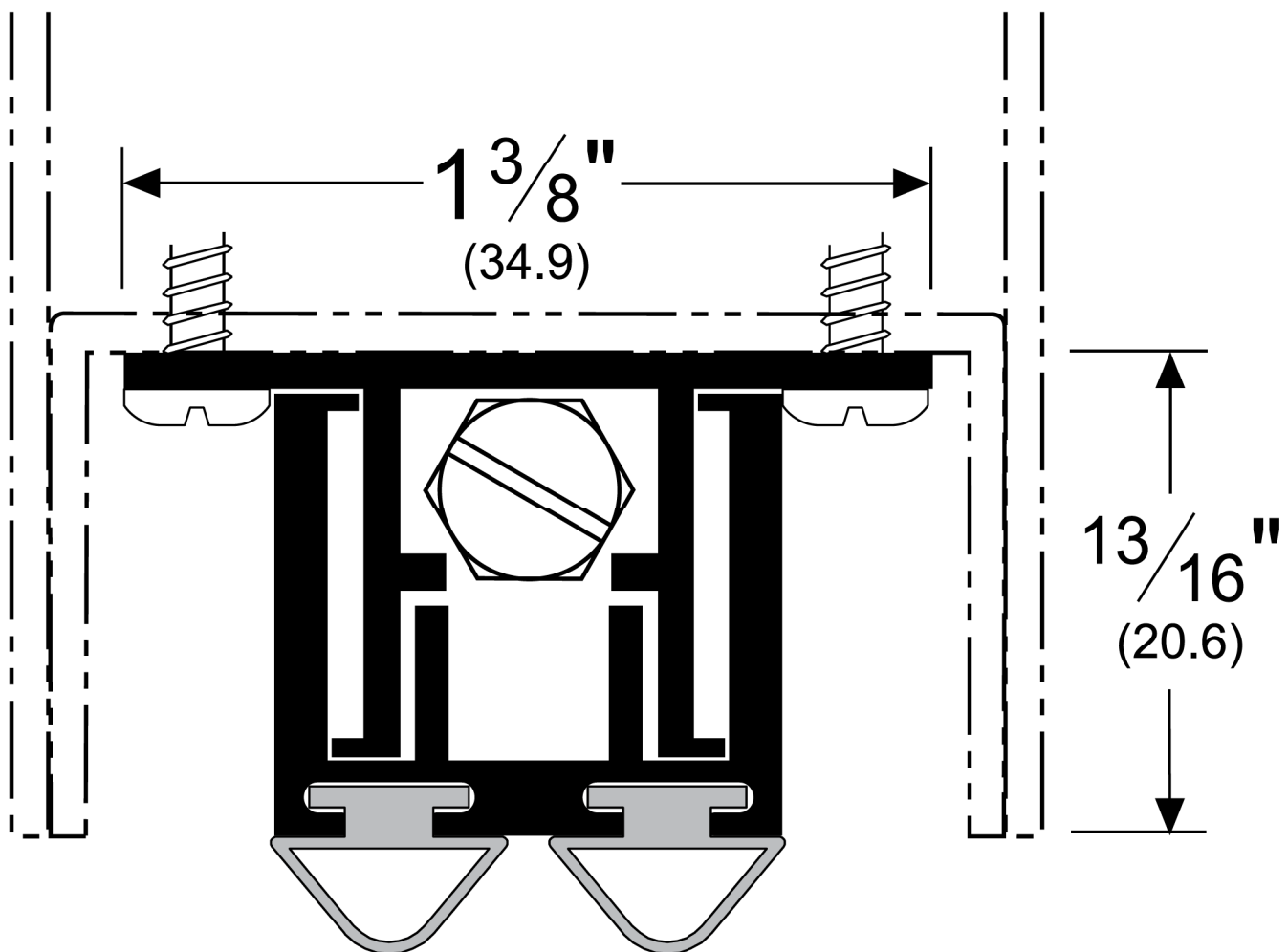


420_PKL

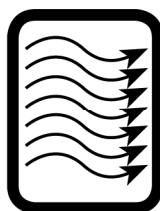
AVAILABLE FINISH: **A**

For hollow metal doors.

Maximum drop is 1/2"



PemkoPrene™ (**R**)



BHMA
CERTIFIED