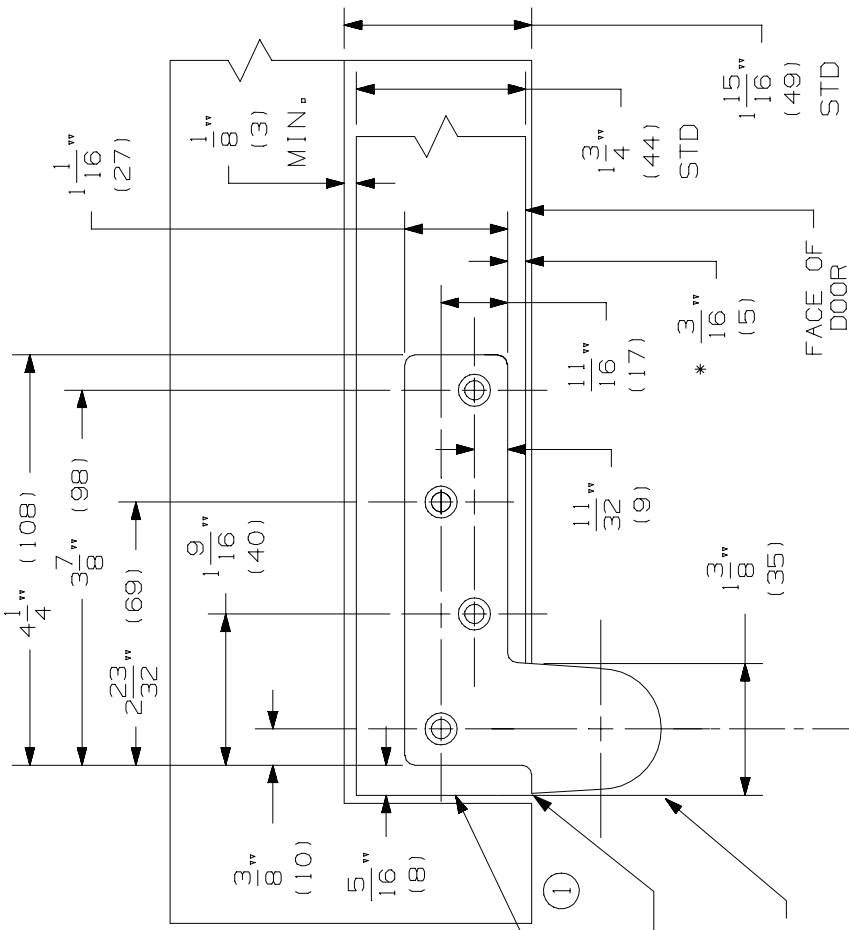


RIGHT HAND DOOR & PIVOT SHOWN. LEFT HAND OPPOSITE

NOTES:

1. INSTALLER MUST VERIFY THAT CENTERLINE OF THE PIVOT POINT LINES UP WITH THE CENTERLINE OF BOTTOM PIVOT POINT.
2. BOTTOM PIVOT SET SHOULD BE MOUNTED FIRST IN MOST INSTALLATIONS.
3. HEEL EDGE OF DOOR MUST BE BEVELED 1/8" IN 2" AS SHOWN.
4. PIVOTS MFG. TO ACCEPT 1/4-20 X 3/4 FPHMS OR #14 X 1-1/2 FPHWS.
5. TEMPLATING FOR DOOR LEAF & FRAME LEAF IS IDENTICAL.
6. REINFORCING PER ANSI/SDI-100 RECOMMENDED FOR HOLLOW METAL DOORS & FRAMES.

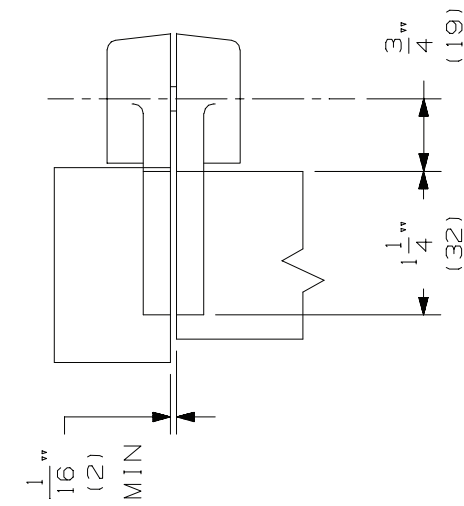


BEVEL HEEL EDGE OF DOOR 1/8" IN 2" 5/16 RAD. TYP.

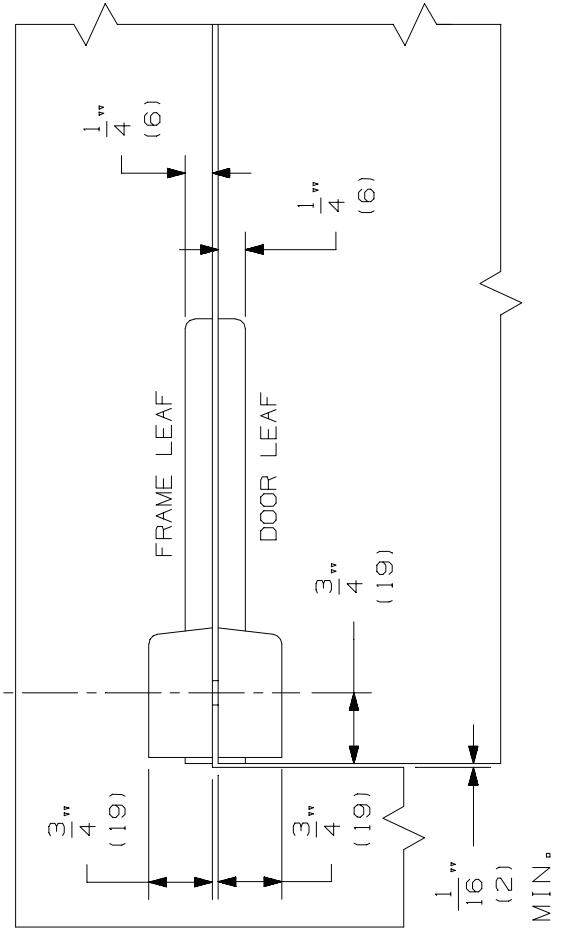
SECTION OF HEAD JAMB MAY NEED TO BE NOTCHED 1/16" IF DOOR IS INSET 1/16"

EDGE OF DOOR

FACE OF DOOR



* FRAME LEAF ALSO LOCATES FROM FACE OF DOOR (SEE NOTE 5).



IVES

7212 PIVOT SET
7212 TOP PIVOT

ALLEGION

NOTE: DIMENSIONS IN () ARE IN MILLIMETERS

TEMPLATE NUMBER:

INST.7212_c PG1

