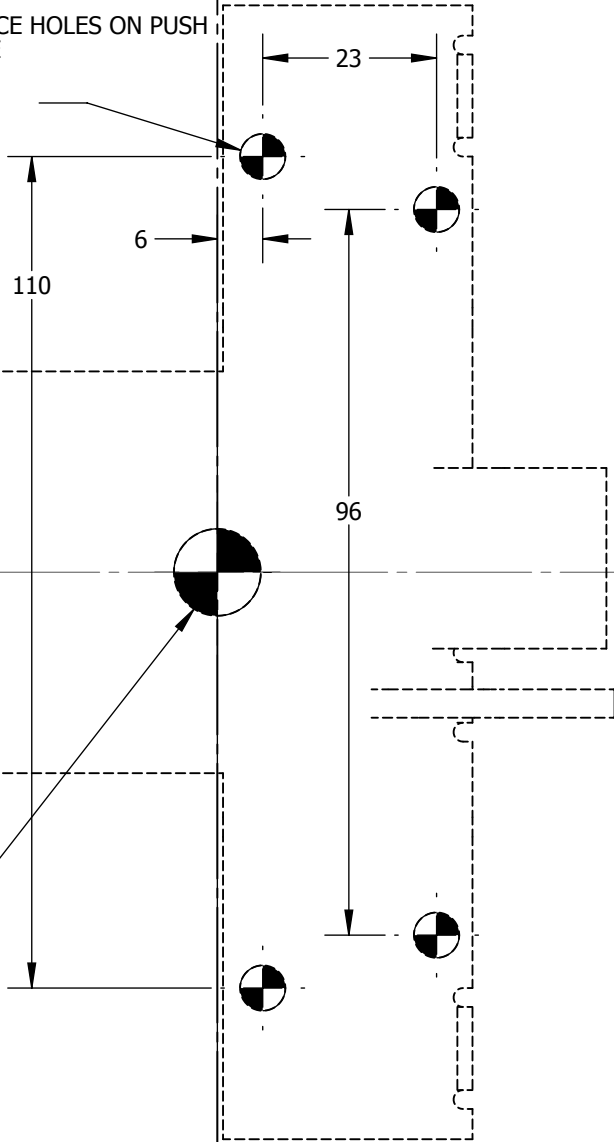


**THIS SIDE UP FOR RHR DOOR**

(4x) METAL: DRILL/TAP FOR M8-0.8 MACHINE SCREWS  
WOOD: PRE-DRILL 4mm HOLES  
SEXBOLTS: DRILL 5mm CLEARANCE HOLES ON PUSH SIDE, 7mm HOLES ON PUSH SIDE

☑



Refer to trim installation instructions for proper hole size.

☑

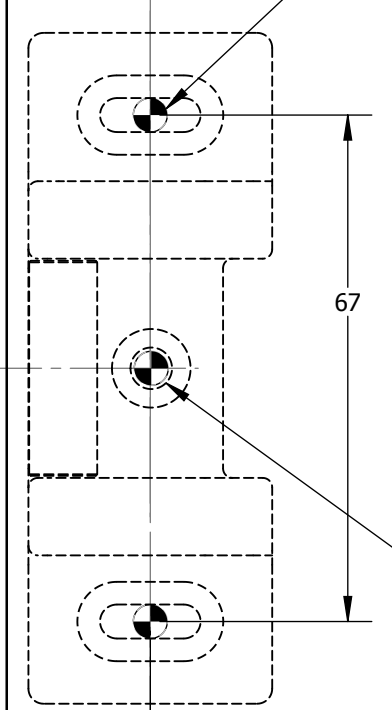
**THIS SIDE UP FOR LHR DOOR**

# 4200 RIM EXIT DEVICE STANDARD TEMPLATE (FOR PANIC AND FIRE RATED DEVICES)

(REV: )  
DWG NO: T-ED01671

Jamb Edge  
Fold Here

(3x) METAL: DRILL/TAP FOR M8-0.8 MACHINE SCREWS  
WOOD: PRE-DRILL 4mm HOLES  
SEXBOLTS: DRILL 5mm CLEARANCE HOLES ON PUSH SIDE, 7mm HOLES ON PUSH SIDE



Drill strike center hole after adjustment.

 HOLE LOCATIONS

DIMENSIONS ARE SHOWN IN MILLIMETERS.

