



829408-00

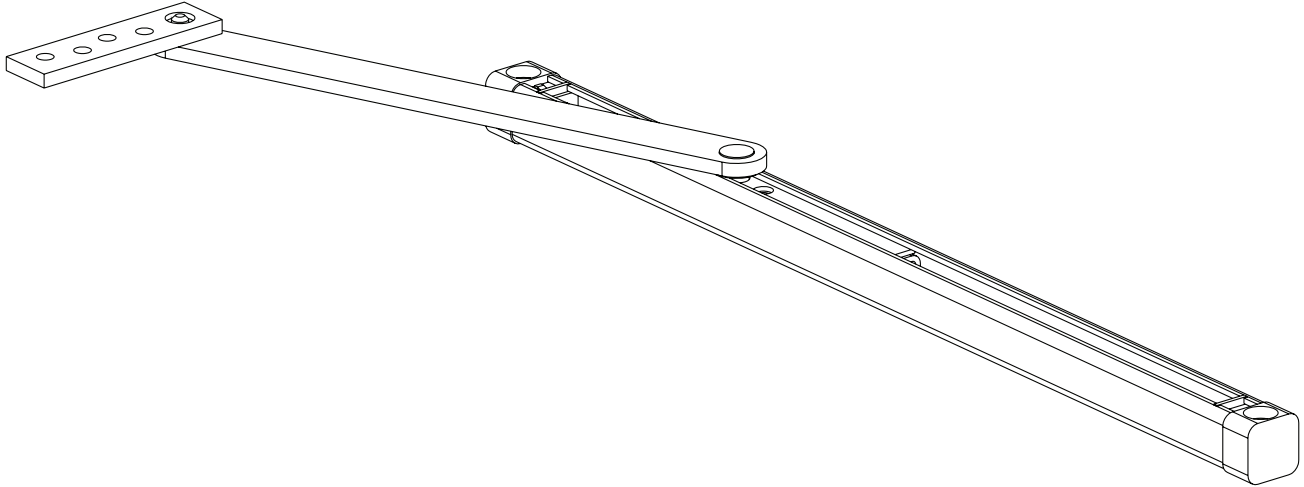
400

GLYNN-JOHNSON®

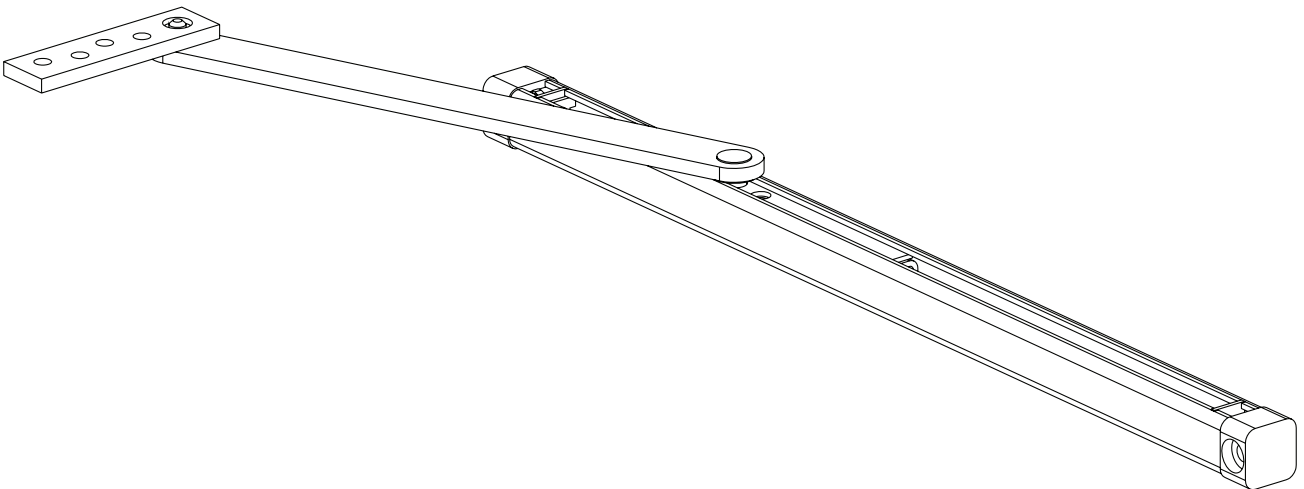
Function Conversions

Installation Instructions

410 Series



450 Series



Index

Instructions to convert Hold-Open to Stop Only	2
Instructions to convert Friction Hold-Open to Stop Only	3
Instructions to convert Stop Only to Hold-Open	4
Instructions to convert Stop Only to Friction Hold-Open	4
Instructions to convert Friction Hold-Open to Hold-Open	4
Instructions to convert Hold-Open to Friction Hold-Open	4

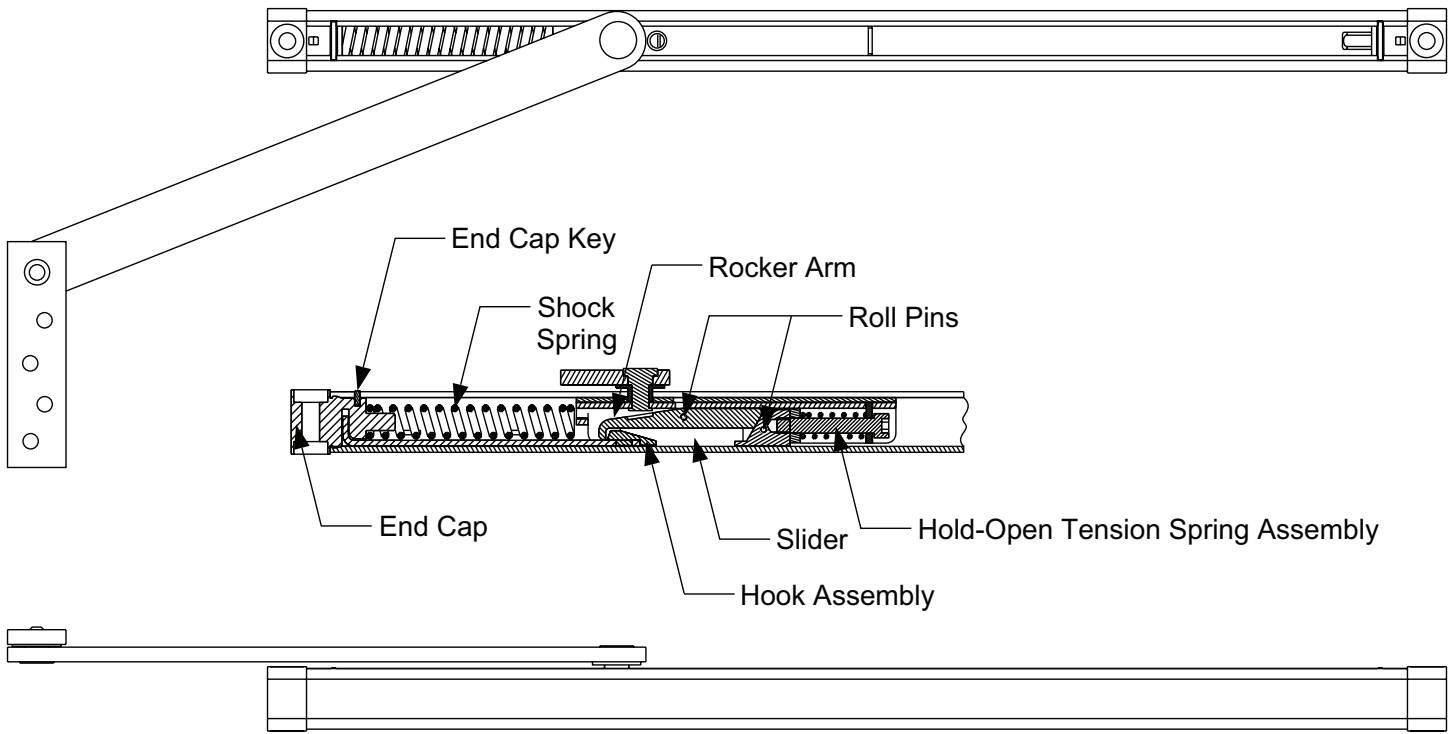


Figure 1

Hold-Open to Stop Only

(Refer to Figure 1)

1. Remove the overhead unit from door and frame.
2. Remove the end cap key from the end of the channel with the shock spring.
3. Remove the end cap, hook, and shock spring assembly.
4. Remove the hook assembly from the end cap.
5. Replace the end cap and shock spring assembly.
6. Replace the end cap key.
7. Reinstall the overhead unit.

① **Note: When the hook assembly is removed, the overhead will function as a stop only. Removing the hold-open components from the slider is not necessary for conversion.**

Optional (Start after step 4)

8. Slide the arm assembly out of the channel.
9. Remove the 2 roll pins from the slider. The rocker arm and the Hold-Open tension spring assembly will come out of the slider.
10. Slide the arm assembly back into the channel with the long end of the slider away from the shock spring end of the channel.
11. Return to step 5 above.

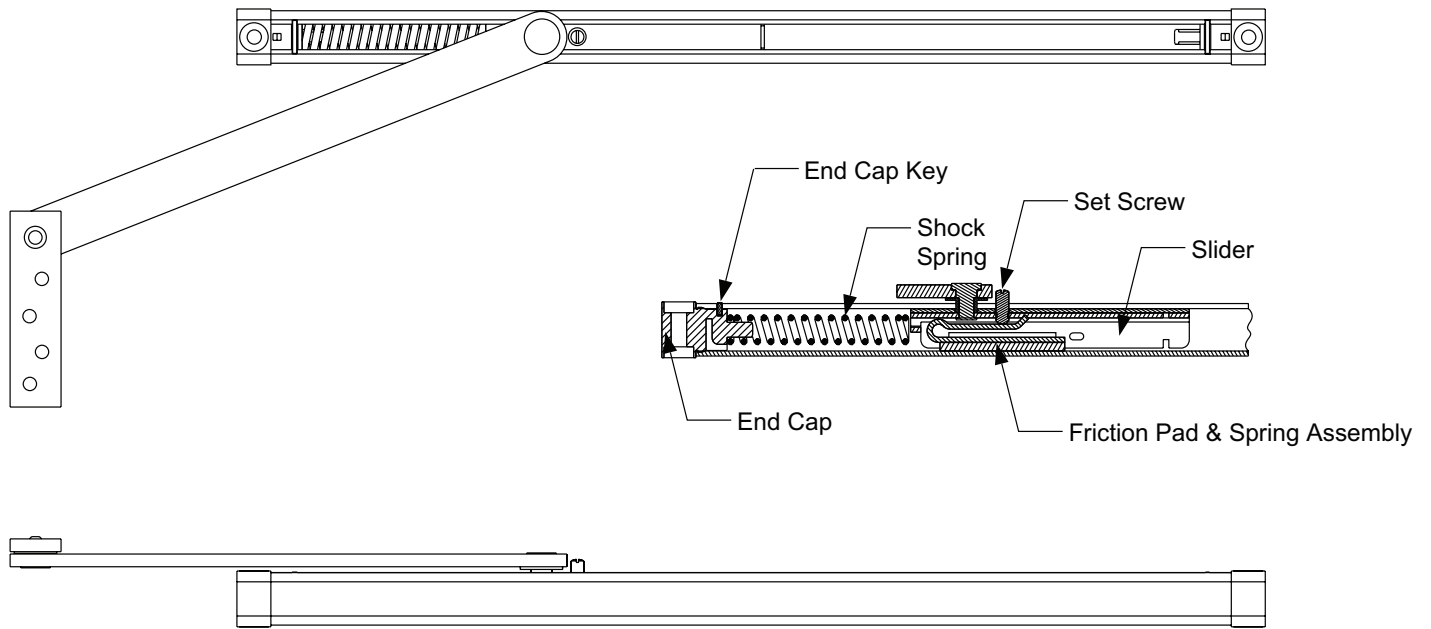


Figure 2

Friction Hold-Open to Stop Only

(Refer to Figure 2)

1. Remove the set screw from the top of the slider.

① **Note: When the set screw is removed from the slider, the overhead will function as a stop only. Removing the friction components from the slider is not necessary for conversion.**

Optional

2. Remove the overhead unit from door and frame.
3. Remove the end cap key from the end of the channel without the shock spring.
4. Remove the end cap by knocking the slider against the end cap until the end cap comes out of the channel.
5. Slide the arm assembly out of the channel, the friction pad and spring assembly will drop out of the slider.
6. Slide the arm assembly back into the channel, with the short end of the slider towards the shock spring in the channel.
7. Replace the end cap.
8. Replace the end cap key.
9. Reinstall the overhead unit.

Stop Only to Hold-Open

(Refer to Figure 1)

1. Remove the overhead unit from door and frame.
2. Remove the end cap key from the end of the channel with the shock spring.
3. Remove the end cap.
4. Slide the arm assembly out of the channel.
5. Place rocker arm inside slider as shown.
6. Install roll pin through slider and rocker arm.
7. Place hold-open tension spring assembly into slider as shown with the tab on the hold-open tension spring assembly in slot on slider.
8. Install roll pin through slider and hold-open tension spring assembly.
9. Place hook assembly into slot in the end cap.
10. Grease the rocker arm and ramp on the hook assembly with a graphite or white lithium based grease, not supplied in the conversion kit.
11. Slide the arm assembly back into the channel with the short end of the slider towards the shock spring end of the channel.
12. Replace the end cap, hook, and spring assembly into channel.
13. Replace the end cap key.
14. Reinstall the overhead unit.
15. Adjust the hold-open tension as described on the installation instructions.

Friction Hold-Open to Hold-Open

(Refer to Figures 1 & 2)

1. Remove the overhead unit from door and frame.
2. Remove the end cap key from the end of the channel with the shock spring.
3. Remove the end cap.
4. Slide the arm assembly out of the channel; the friction pad and spring assembly will drop out of the slider.
5. Remove the set screw from the middle of the slider.
6. Place rocker arm inside slider as shown.
7. Install roll pin through slider and rocker arm.
8. Place hold-open tension spring assembly into slider as shown with the tab on the hold-open tension spring assembly in slot on slider.
9. Install roll pin through slider and hold-open tension spring assembly.
10. Place hook assembly into slot in the end cap.
11. Grease the rocker arm and ramp on the hook assembly with a graphite or white lithium based grease, not supplied in the conversion kit.
12. Slide the arm assembly back into the channel with the short end of the slider towards the shock spring end of the channel.
13. Replace the end cap, hook, and spring assembly into channel.
14. Replace the end cap key.
15. Reinstall the overhead unit.
16. Adjust the hold-open tension as described on the installation instructions.

Stop Only to Friction Hold-Open

(Refer to Figure 2)

1. Remove the overhead unit from door and frame.
2. Remove the end cap key from the end of the channel without the shock spring.
3. Remove the end cap by knocking the slider against the end cap until the end cap comes out of the channel.
4. Slide the arm assembly out of the channel.
5. Remove any grease from the inside bottom of the channel.
6. Place friction pad and spring assembly into slider as shown.
7. Slide the arm assembly back into the channel with the short end of the slider towards the shock spring end of the channel.
8. Put set screw into top of slider.
9. Replace the end cap.
10. Replace the end cap key.
11. Reinstall the overhead unit.
12. Adjust the friction hold-open tension as described in the installation instructions.

Hold Open to Friction Hold-Open

(Refer to Figures 1 & 2)

1. Remove the overhead unit from door and frame.
2. Remove the end cap key from the end of the channel with the shock spring.
3. Remove the end cap.
4. Slide the arm assembly out of the channel.
5. Remove any grease from the inside bottom of the channel.
6. Remove the hook assembly from the end cap.
7. Remove the 2 roll pins from the side of the slider. The rocker arm and hold-open tension spring assembly will drop out of the slider.
8. Place friction pad and spring assembly into slider as shown.
9. Slide the arm assembly back into the channel with the short end of the slider towards the shock spring end of the channel.
10. Put set screw into top of slider.
11. Replace the end cap and shock spring assembly.
12. Replace the end cap key.
13. Reinstall the overhead unit.
14. Adjust the friction hold-open tension as described in the installation instructions.