

## Cylinders

The use of cylinder locks is a very flexible and sophisticated means of providing security at most doors and has a number of advantages over other methods of door locking. They give you the ability to:

- Select the most appropriate combination of lockcase and cylinder function
- Match the level of security to the precise needs of each door in a building
- Upgrade security levels as the needs of the building or its occupants change
- Provide sophisticated masterkeying and key control capabilities where access to multiple doors can be allowed or restricted to varying personnel

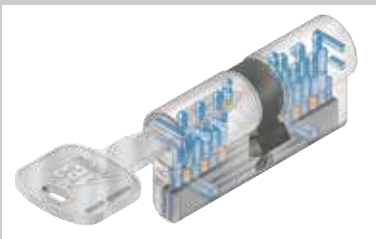
## Cylinders - The CISA and Briton Range

Both the CISA and Briton ranges of cylinders include euro and oval profiles, which can be supplied either standard differ, keyed alike or masterkeyed. This catalogue focuses on euro profile cylinders as they make up the majority of the UK market. For further information on our complete range of cylinders contact us on 01922 707400.

## Bumping and Snapping

Bumping and snapping are the prevalent forms of cylinder attack sweeping across Europe. The problem is being exacerbated by internet sites spreading the word amongst the criminal community.

We pride ourselves on being at the forefront of the market with our CISA cylinders and we are able to offer tried and tested cylinders to provide protection from just these kinds of attack. Our Astral ranges incorporate features designed to make them bump and snap resistant.



## Patent Protection on cylinders

Since copyright protection on keys was abolished in 1999, it is now possible for anybody to produce and sell most types of keys. The only systems that can truly protect against illegal keyblank duplications are patented key systems. Manufacturers are able to take legal action against any unauthorised third parties who distribute copies of patented keys without permission.

We offer two ranges with patent protection, Astral Tekno patented until 2026 and Briton 75-29 patented until 2029, thus ensuring the highest possible levels of security and patent protection for all.

## Selecting the correct cylinder length

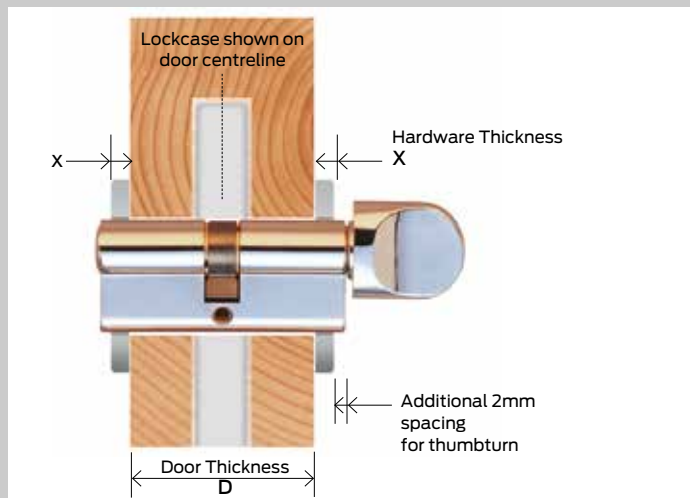
Specifying the correct cylinder length is important not only for aesthetic reasons, but also for security. The cylinder must be fitted as flush as possible with the surrounding hardware in order to reduce the opportunity for the cylinder to be removed.

When choosing a cylinder, three factors should be considered:

- Thickness of door
- Thickness of hardware, eg. Escutcheons or backplate
- Position of the lock within the door

The overall length of the cylinder should be just larger than the combined thickness of the door  $D$  (see diagram below) and the backplates or escutcheons ( $D + 2X$ ).

When using a thumbturn, an additional 2mm clearance is recommended.



## CISA C2000 Series

## Cylinder Range



### General Description

CISA C2000 cylinder range of euro profile cylinders is suitable for Briton 5600, 5500, 5400 and 5200 Series lockcases. These cylinders are an economical option for either individual or master keyed systems.

### Principal Features

- Providing a medium level of physical security
- Hardened steel pin and driver in the first position protect from drilling
- Pick resistant pin profiled brass pins and drivers
- 5 pin key biting system offers over 30,000 key differs
- DIN standard sintered steel cam provides push resistance to prevent the cylinder being forced out of the lockcase
- 3 keys supplied as standard

- 
- Testing: EN 1303  
Grade 0 attack resistance  
Grade 6 durability  
Grade 4 key security  
Kitemark Licence  
KM532990

- Guarantee: 2 years

### Standard & Offset Cylinders

The C2000 range comprises euro profile cylinders in single, standard and offset double and standard as well as offset double with thumbturn in a wide selection of lengths and offsets. The system is also available in rim and rim mortice cylinder options.

Item Ref:	Description	Size	Finishes
OG304.02	C2000 Euro profile single cylinder	30/10mm	SB; NP
OG304.03	C2000 Euro profile single cylinder	40/10mm	SB; NP
OG304.07	C2000 Euro profile single cylinder	35/10mm	SB; NP
OG300.07	C2000 Euro profile double cylinder	30/30mm	SB; NP
OG300.13	C2000 Euro profile double cylinder	35/35mm	SB; NP
OG300.18	C2000 Euro profile double cylinder	40/40mm	SB; NP
OG302.07	C2000 Euro profile cylinder and thumbturn	30/30mm	SB; NP
OG302.13	C2000 Euro profile cylinder and thumbturn	35/35mm	SB; NP
OG302.18	C2000 Euro profile cylinder and thumbturn	40/40mm	SB; NP