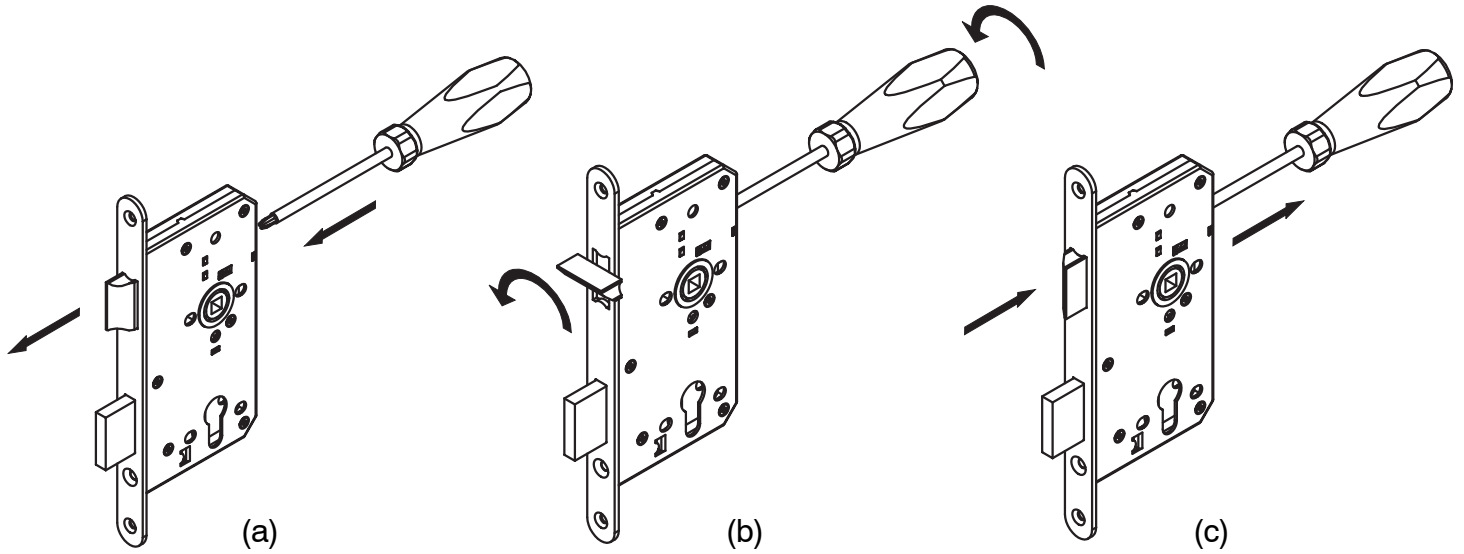


Installation Instructions

European 72mm Contract Lock Range

5400/099/00
ISSUE 05

Changing the Handing of The Lock (If Required).



- 1) Using a pozidrive screwdriver, insert into the hole at rear of case and locate into the pozidrive screw.
- 2) Push forward on screw, pushing the latch head free of the forend. (a)
- 3) Rotate **clockwise** until the latch head is in the correct position. (b)
- 4) Once rotated, remove the screwdriver allowing the latch to withdraw into the forend profile. (c)

THERE IS NO NEED TO OPEN THE LOCKCASE.

Lock Installation

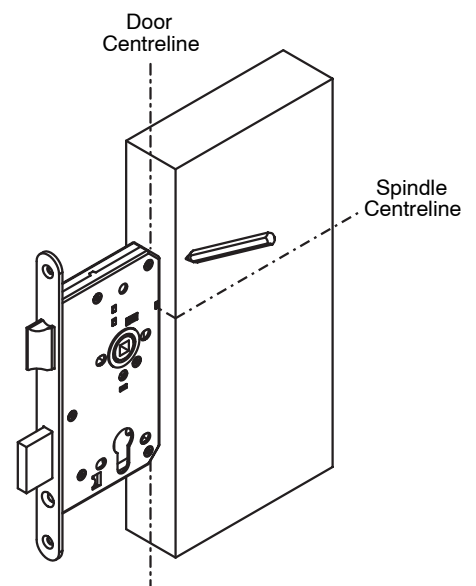
Tools Required :-

- Pencil.
- Screwdriver (Pozidrive No.2 Point).
- 22mm and 10mm drill bits.
- Suitable chisel.

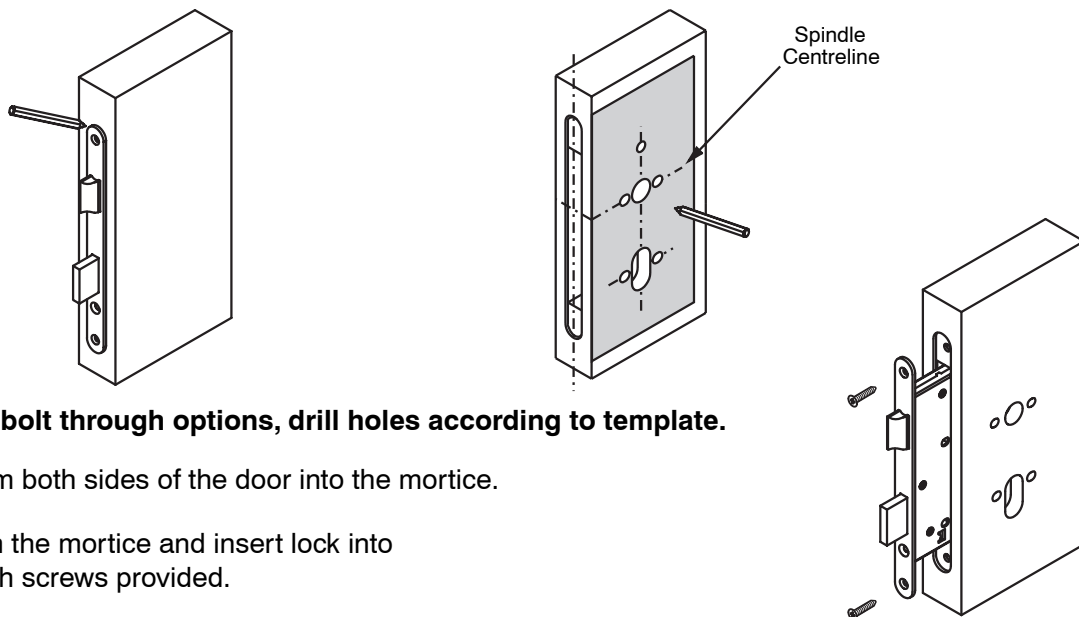
Fire Door Installation :-

Please note: when installing this product to an EN 1634 compliant Fire Door the lock case must be bedded on an Interdens Intumescent Seal, 1mm thick to ensure that the door integrity is maintained in a fire situation.

- 1) Mark on the centreline of the door and the centerline of the spindle, transferring spindle C/Line to the face of the door.
- 2) Align spindle with spindle C/Line, position lock centrally about C/Line and mark around lock case.
- 3) Prepare a slot to suit lock case ensuring a good, but not overtight fit.



- 4) Insert lock into door, mark around forend, remove lock then recess door 3 - 3.5mm deep to allow flush fitting.
- 5) Place template against edge of door, align centreline of the spindle and mark position of the spindle, keyhole and any relevant fixing holes on the door.



NB. If using bathroom or bolt through options, drill holes according to template.

- 6) Drill required holes from both sides of the door into the mortice.
 - 7) Remove all debris from the mortice and insert lock into door, fixing in place with screws provided.
- Check operation of lock.

Striker/Locking Plate Installation

- 8) Close the door and mark the latch/bolt position onto the frame, (dependant on variant).
- 9) Transfer the lines from both latch and/or bolt onto the edge of the frame to mark the vertical positions (a).

Position the striker/locking plate (**ensuring latch/bolt head lines up with cutout in striker by measuring distance 'b' in Fig.1**) and prepare the frame to accept the plate, taking note to relieve the material for the latch and bolt sections, (where applicable).

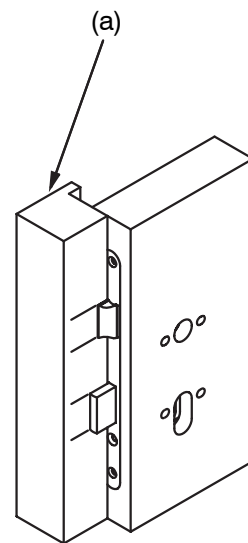
IMPORTANT NOTE :-

Cylinder must be rotated twice to achieve full throw of deadbolt (20mm).

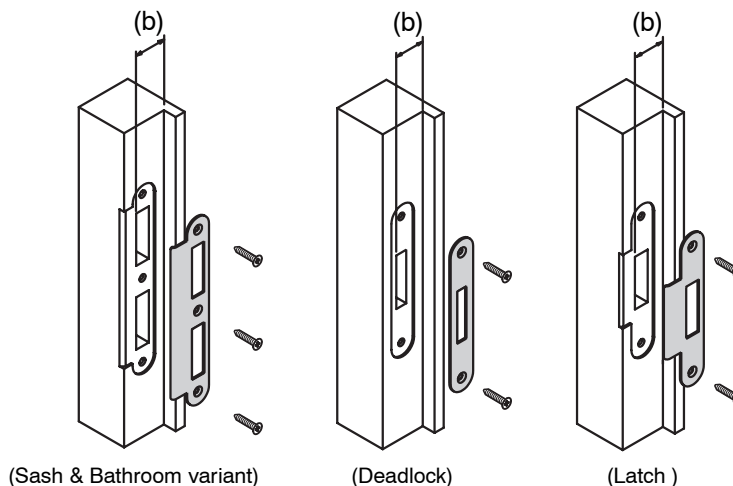
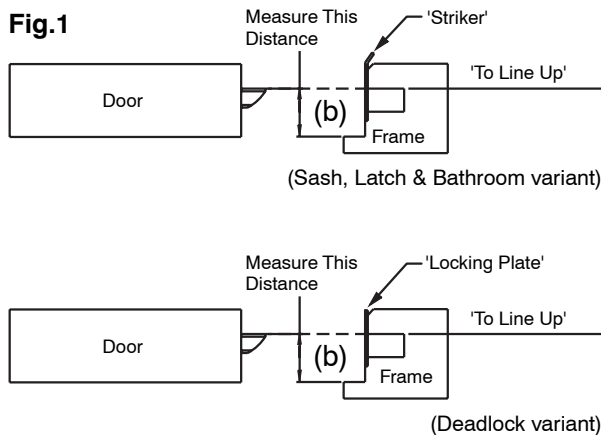
Remove sufficient material to allow deadbolt to be fully thrown.

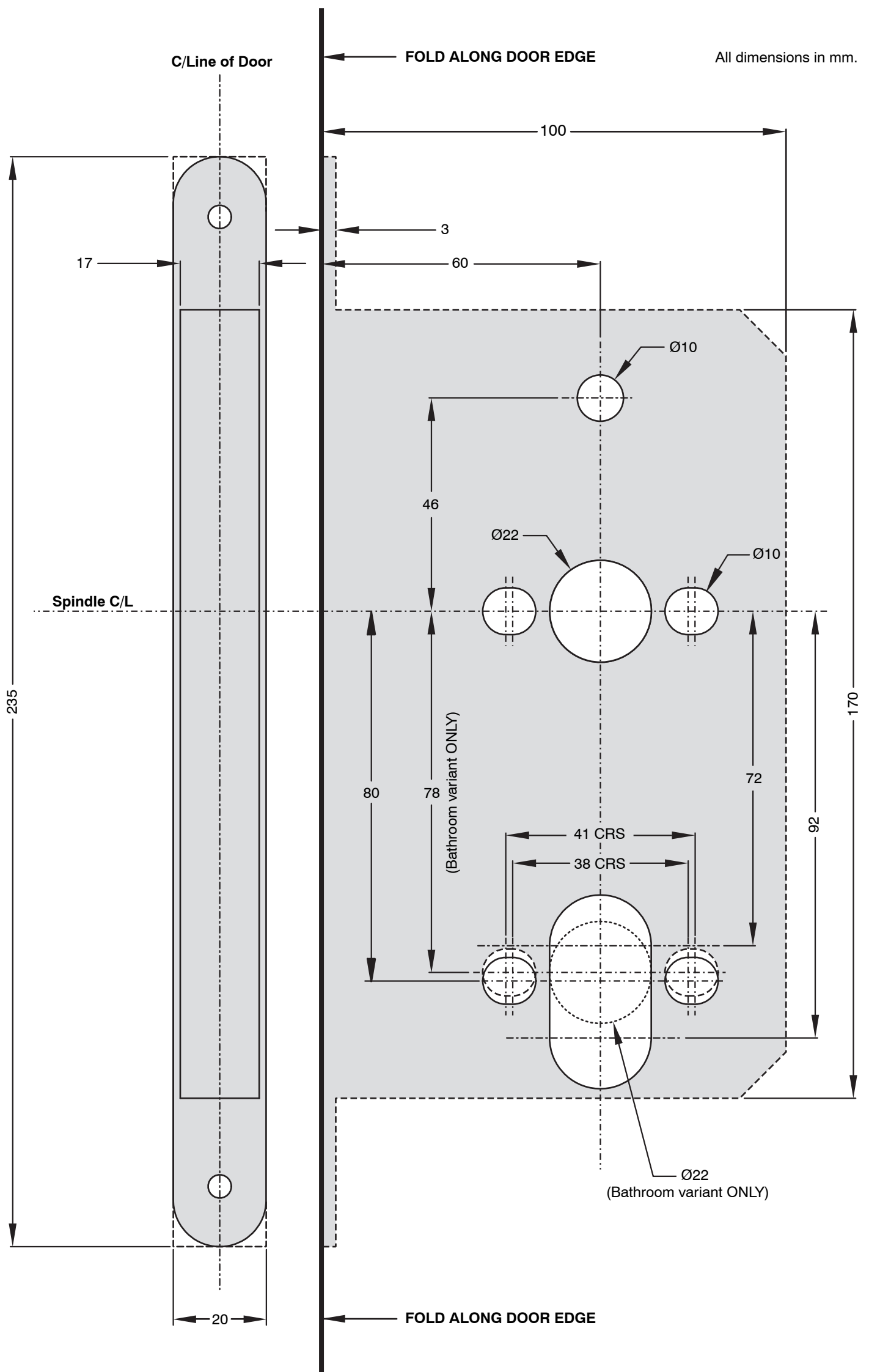
Countersink the screw holes in the frame to ensure flush fitting of the striker/locking plate.

Secure striker/locking plate with screws provided.



- 10) Fit door furniture and check lock operates freely with door closed.





All dimensions in mm.

FOLD ALONG DOOR EDGE

C/Line of Door

