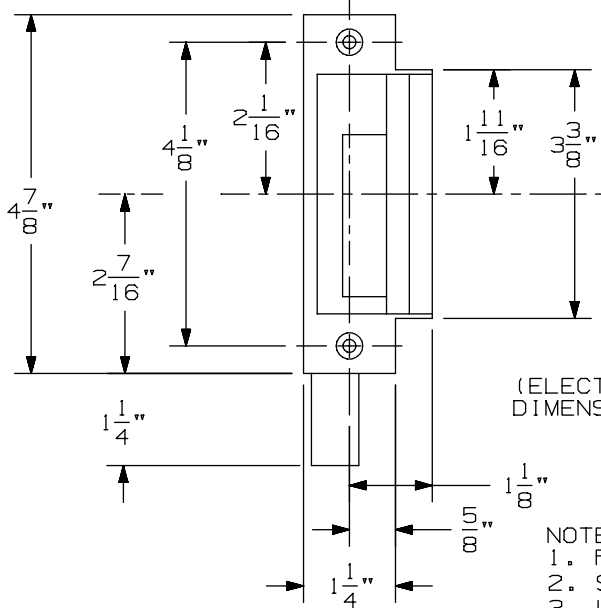
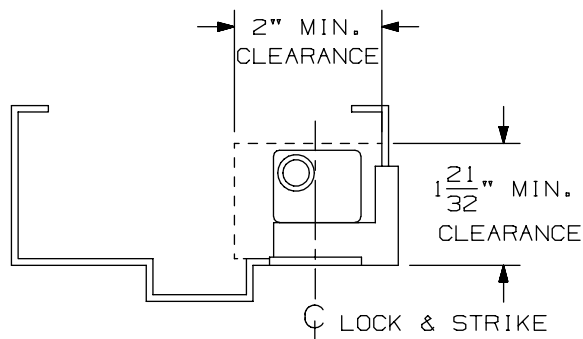
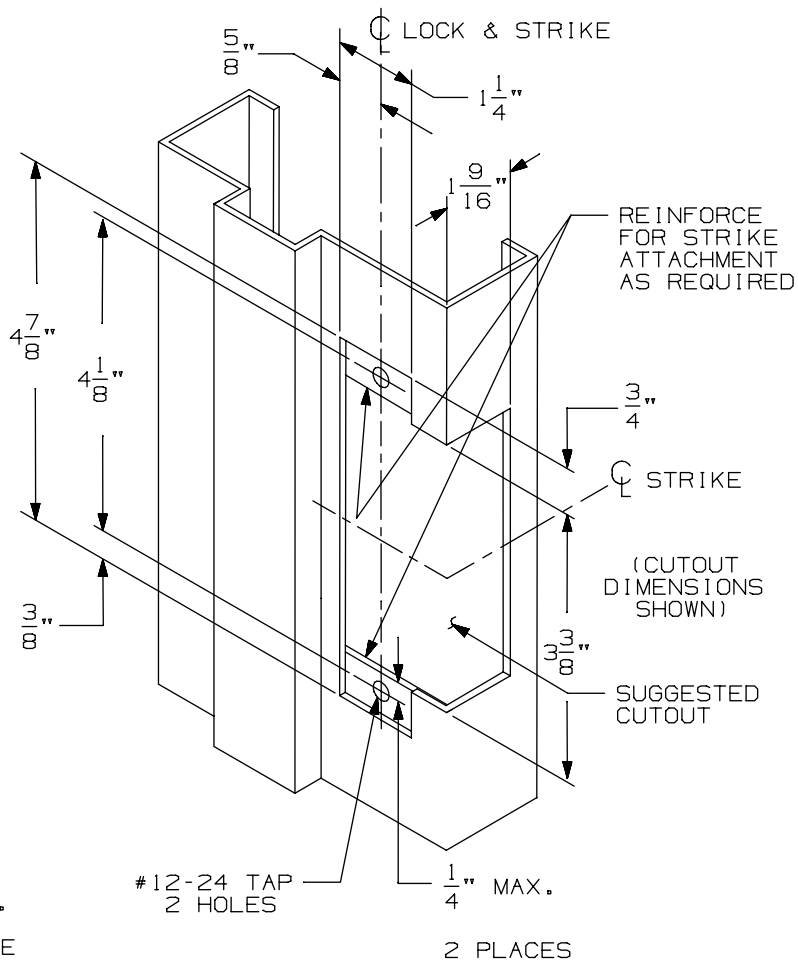
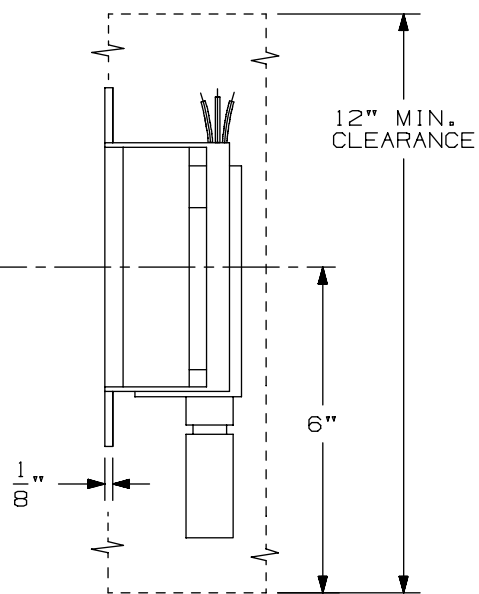


6210 COMPATABLE WITH	
MANUFACTURER	MODEL #
CORBIN	765L-L9555
SARGENT	8104-LNL
BEST	30H
FALCON	LM521 DG
YALE	8705 F
SCHLAGE	L9000
VON DUPRIN	7500



(ELECTRIC STRIKE DIMENSIONS SHOWN)



- NOTE:
1. FEATURE SIZE TOLERANCES ARE +.015 -.000
 2. STRIKE MOUNTS IN STANDARD ANSI LOCATION.
 3. LHR APPLICATION SHOWN, RHR APPLICATION OPPOSITE.

6210 Electronic Strike Metal Frame Application

VON DUPRIN®

NOTES: SEE MASTER SHEET #10001 FOR SUGGESTED REINFORCING

TEMPLATE NUMBER:

30001_a

DATE:
05-23-13