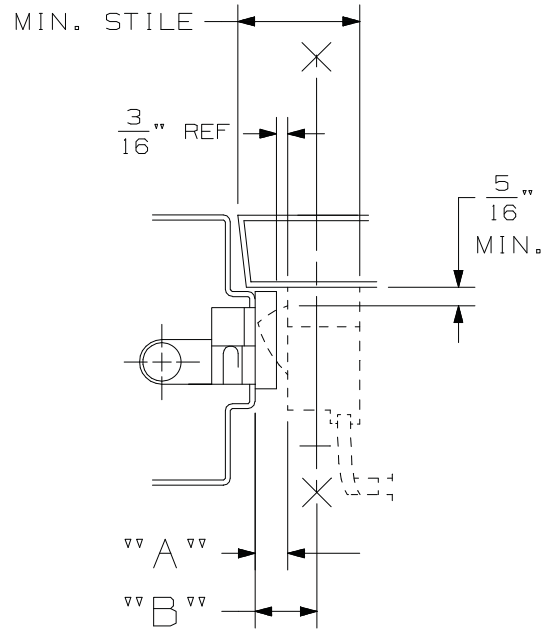
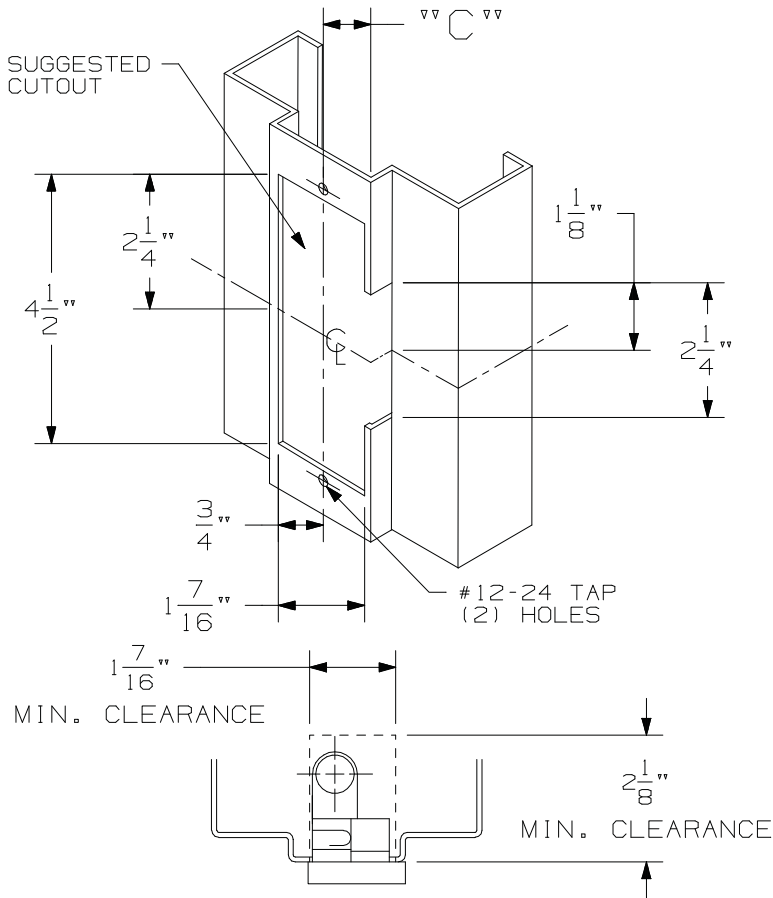
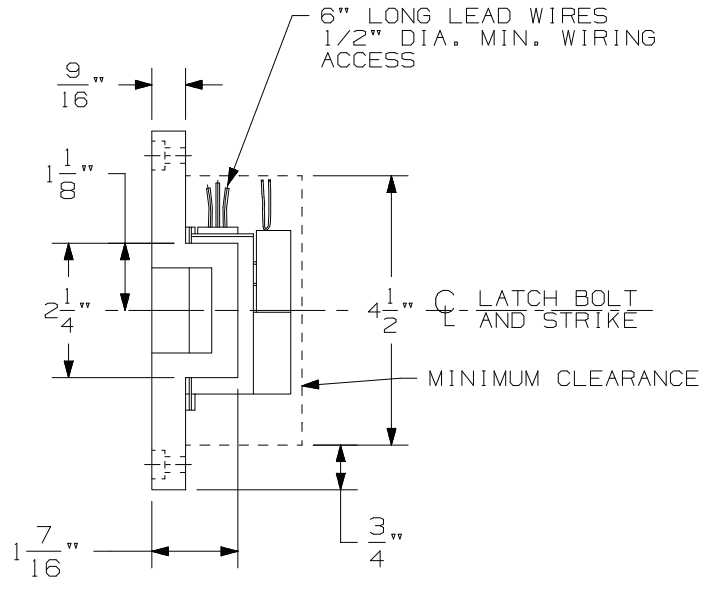
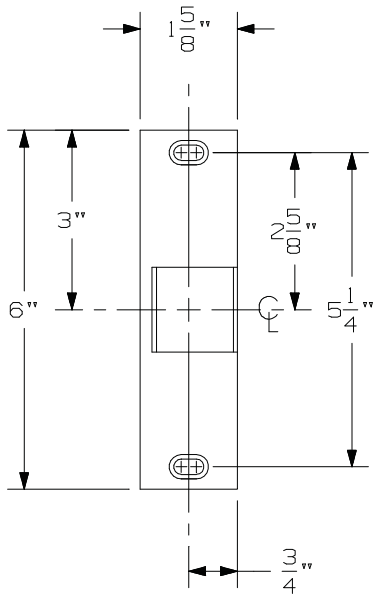


LHR APPLICATION SHOWN
RHR OPPOSITE



LINE X-X CORRESPONDS TO
LINE X-X ON DEVICE TEMPLATE



REPLACES 3011/3021 STRIKE

SEE SHEET #2 FOR
APPLICATION SCHEDULE

6113 Electric Strike Rim -
Single Door Application

VON DUPRIN

NOTES: SEE MASTER SHEET #10001 FOR SUGGESTED REINFORCING

TEMPLATE NUMBER: 30220_c Sht 1

DATE: 05-28-13

6113 ELECTRIC STRIKE
SINGLE DOOR APPLICATION
RIM APPLICATION SCHEDULE
(PANIC & FIRE DEVICES)
REPLACES VON DUPRIN 3011/3021 ELECTRIC STRIKE

PRODUCT MANUFACTURER	PRODUCT APPLICATION	DIM "A"	DIM "B"	DIM "C"
VON DUPRIN	22 RIM	----	2 3/16"	3/4"
VON DUPRIN	33/35 RIM EO/DT/NL/TP	----	1 5/32"	3/4"
VON DUPRIN	44 RIM EO/DT/NL/TP	----	2 1/4"	3/4"
VON DUPRIN	44 RIM K	----	2 1/8"	3/4"
VON DUPRIN *	88 RIM EO/DT/NL/TP	----	2 1/4"	3/4"
VON DUPRIN *	88 RIM K	----	2 1/8"	3/4"
VON DUPRIN	98/99 RIM	----	2 3/16"	3/4"
VON DUPRIN	33A/35A RIM	----	1 7/32"	3/4"
MAGNOCHROM	RIM	13/16"	----	3/4"
MONARCH	11-R RIM	3/4"	----	3/4"
(B) MONARCH	XX-R RIM	13/16"	2 1/16"	3/4"
(B) MONARCH **	18-R, F-18-R RIM	3/4"	2 1/16"	7/8"
MONARCH **	19-R, F-19-R RIM	3/4"	----	3/4"
PRECISION *	1100 RIM	3/4"	----	1"
PRECISION	810 RIM	3/4"	----	3/4"
SARGENT	2800, 6500, 9898 RIM	13/16"	----	3/4"
SARGENT *	9800 RIM	13/16"	----	3/4"
SARGENT	9500 RIM	3/4"	----	3/4"
SARGENT	6800, 8500, 8800	13/16"	----	7/8"
YALE	1500 RIM	3/4"	----	11/16"
(B) FALCON			2"	13/16"

NOTES:
* PANIC DEVICES ONLY
** NO DEADLATCHING

**6113 Electric Strike Rim
Single Door Application**

VON DUPRIN®

NOTES: SEE MASTER SHEET #10001 FOR SUGGESTED REINFORCING

TEMPLATE NUMBER: **30220_c Sht 2**

DATE: 05-28-13