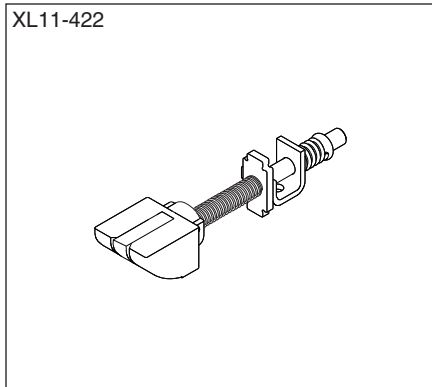


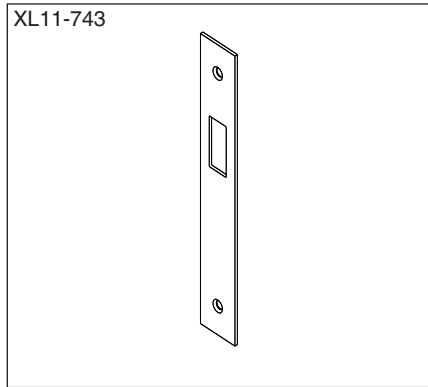
Special Options

Solid Latchbolt



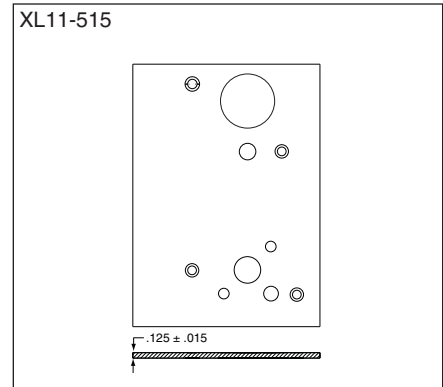
For use with electric strikes. The anti-friction tongue is replaced by a nylon insert to prevent interference with the strike gate.

Armor Front w/Deadbolt Hole



For use with dummy functions or inactive doors. Specify dummy function per XL11-743.

Lead Lining XL11-515



Lead plate installed on case cover. Lead lining is not available on L400-Series. Buyer should verify that the preparation meets local installation requirements or regulations. Specify door hand.

Special Cylinder Applications

"X" Number	Description
XB03-418	Extended mortise cylinder (20-001, 30-001 or 30-004), 1 ⁷ / ₈ "–5" long, Classic or Everest®
XB11-475*	Full size IC extended mortise cylinder (26-091 or 30-008), 2 ¹ / ₄ "–5" long, Classic or Everest®
	Primus® full size IC extended mortise cylinder (20-763 or 20-798), 2 ¹ / ₄ "–5" long
XB11-638	Full size IC mortise cylinder housing less core (20-059 or 30-007) 2 ¹ / ₄ "–5" long
	Primus® mortise cylinder (20-700, 20-787, or 20-789), 1 ⁷ / ₈ "–5" long

* Available in 1/4" increments. Order collars or blocking rings separately to fill gaps.

- NOTES:**
- 1) Specify complete cylinder as required, then "X" number (e.g. 20-001-118-P per XB11-475).
 - 2) Primus cylinders are Controlled Access. Specify LKB if 0-bitted Primus® cylinders are required less key blanks.
 - 3) Specify finish and dim code.