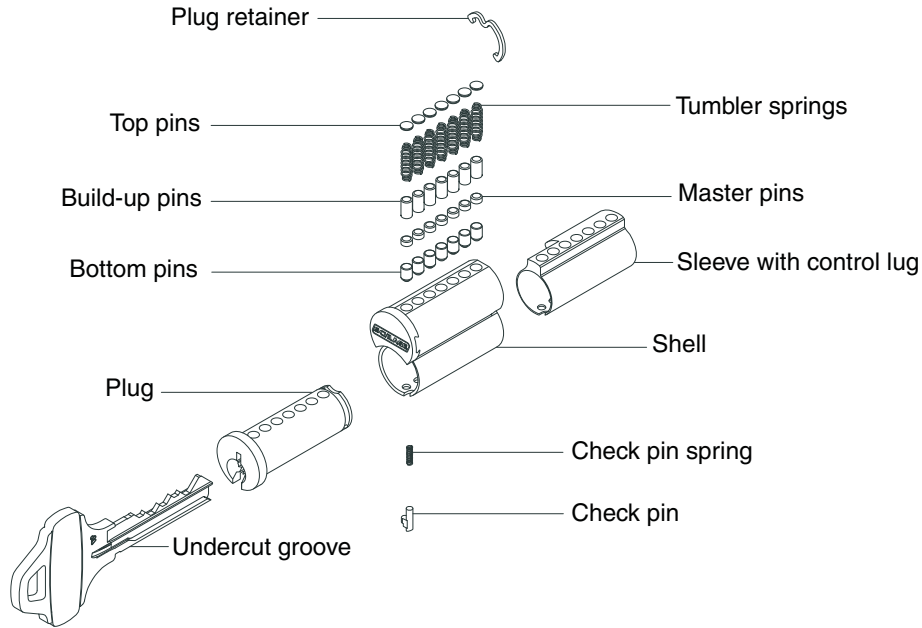


Small Format Interchangeable Cores

Exploded View – Small Format Everest® Keyways

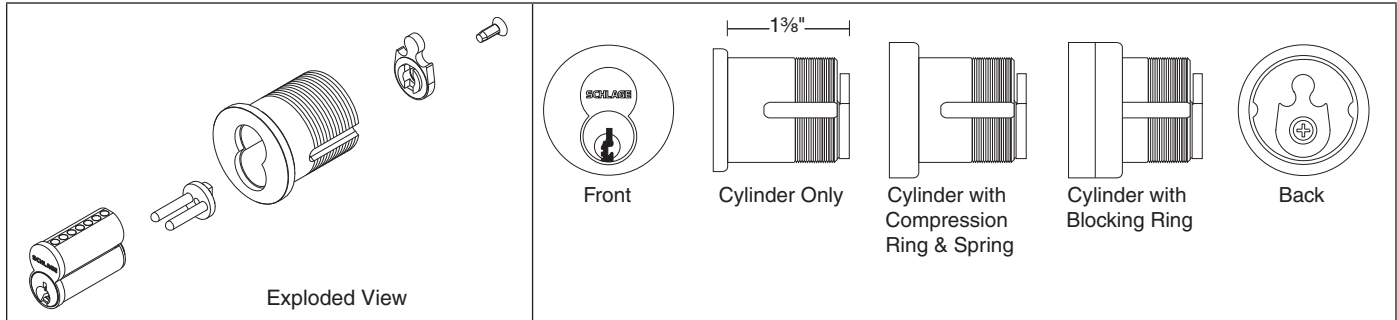


Everest® Patented Keyway Cores

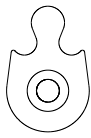
Part Number	Description	80-036 / 80-037
80-037	Everest® Combined Core, includes master keying	
80-036	Everest® Uncombined Core	

- NOTES:**
- 1) Finishes: 606, 613, and 626.
 - 2) Everest® B family keyways are restricted.
 - 3) Key symbol must be specified for combined cores.
 - 4) Uncombined cores are furnished less keys, pins, and springs.
 - 5) Control keys must be ordered separately.
 - 6) Specify 80-035 for construction cores.

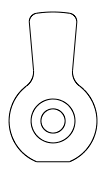
Small Format Interchangeable Cores




L-Series and LV-Series (except L9060/LV9060 Outside)

Description	Cylinder Mechanism	Complete Cylinder	Cam	
Cylinder with Compression Ring & Spring: L & N Escutcheons	Everest® Restricted Combined Core	80-308	L583-255 	
	Construction Core	Disposable		80-115
		Keyed		80-138
	Housing Less Core			80-108
Cylinder with Compression Ring, Compression Spring and ¼" Blocking Ring: Rose Trim	Everest® Restricted Combined Core	80-301		
	Construction Core	Disposable		80-109
		Keyed		80-131
	Housing Less Core			80-101

L-Series and LV-Series L9060/LV9060 Outside

Description	Cylinder Mechanism	Complete Cylinder	Cam	
Cylinder with Compression Ring & Spring: L & N Escutcheons*	Everest® Restricted Combined Core	80-304	K510-680 	
	Construction Core	Disposable		80-112
		Keyed		80-134
	Housing Less Core			80-104

Other Straight Cam Applications

Description	Cylinder Mechanism	Complete Cylinder	Cam	
Cylinder with Compression Ring, Compression Spring and ¼" Blocking Ring	Everest® Restricted Combined Core	80-302	K510-730 	
	Construction Core	Disposable		80-110
		Keyed		80-132
	Housing Less Core			80-102

* For rose trim also order 36-082-050 blocking ring.

Cylinder Lengths and Specifications

How to Measure Cylinder Lengths



Cylinder Length Dimension Chart

Cylinder Length	Dimension
1 1/8"	118
1 1/4"	114
1 3/8"	138
1 1/2"	112
1 5/8"	158
1 3/4"	134

L-Series and LV-Series Cylinder and Length Requirements

Function	Trim	Cylinder	Door Thickness			
			1 3/8"	1 3/4"	2"	2 1/4"
			Dimension			
L9050, L9056, L9070, L9076, L9080, L9453, L9456, L9460 per XL11-635/886, L9464 per XL11-886, L9465, L9473, L9480	Rose	30-001	118	118	118	118
	Escutcheon	30-021	118	114	138	112
	Concealed	30-004	118	114	138	112
L9485	Rose	30-002	—	118	118	118
	Escutcheon	30-022	—	114	138	112
	Concealed	30-005	—	114	138	112
L9486	Rose	30-002	114	138	112	158
	Escutcheon	30-022	118	114	138	112
	Concealed	30-005	118	114	138	112
L9496	Rose	30-001	114	138	112	158
	Escutcheon	30-021	118	114	138	112
	Concealed	30-004	118	114	138	112
L9060 Inside, L9071, L9077, L9082, L9082EL/EU, L9457, L9462 per XL11-886, L9464, L9466, L9482	Rose	30-001	118	118	118	118
	Escutcheon	30-001	114	—	—	—
		30-021	—	118	114	138
Concealed	30-004	—	118	114	118	
L9060 Outside	Rose	20-001	118	118	118	118
	Escutcheon	20-001	114	—	—	—
		26-021	—	118	114	138
	Concealed	26-023	—	118	114	138
L460, L462, L463, L464, L496, L9460, L9462, L9463, L9464	Rose Trim Only	30-001	118	118	118	118

NOTE: Blocking ring and/or compression rings may be required and must be ordered separately.