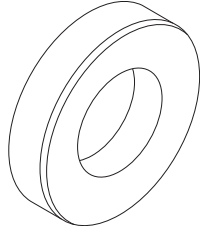


Rose Trim A or B

Inside Rose

09-503

Rose Design A— $2\frac{1}{8}$ " dia. x $1\frac{3}{32}$ "
 Rose Design B— $2\frac{9}{16}$ " dia. x $1\frac{3}{32}$ "

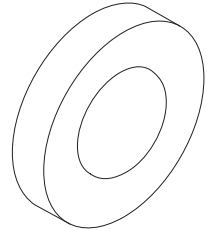


Furnished with mounting plate and screws.
 For decorative trim see page 95.

Blank Outside Rose

09-508

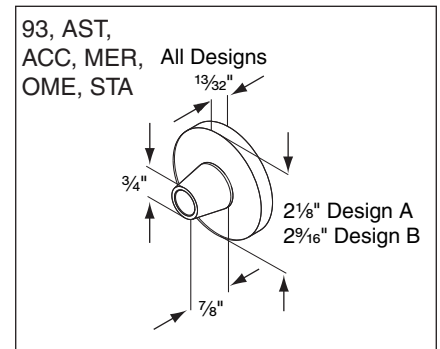
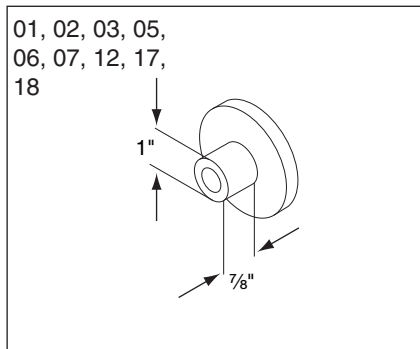
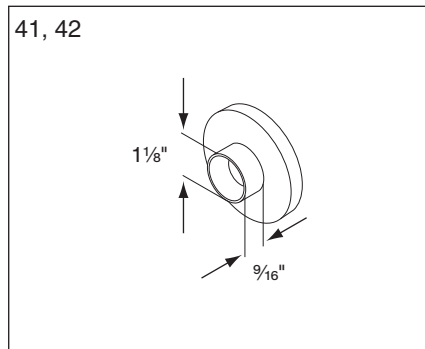
Rose Design A— $2\frac{1}{8}$ " dia. x $1\frac{3}{32}$ "
 Rose Design B— $2\frac{9}{16}$ " dia. x $1\frac{3}{32}$ "



Furnished with mounting plate, screws, and plug. Used to mount inside rose trim on doors prepared for trim both sides.

Outside Rose Dimensions

09-404 (Bushing attached at factory) or 09-506 with knob/lever



NOTES: When ordering trim parts, specify the complete design and finish (e.g. 09-402 01A 605).
 See Schlage Commercial Price Book for available finishes.