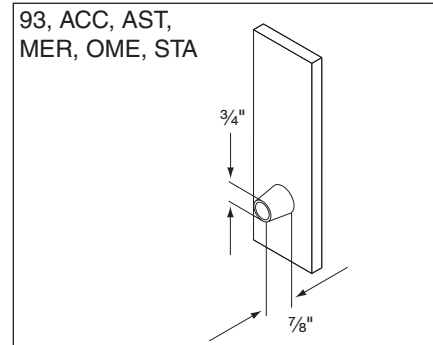
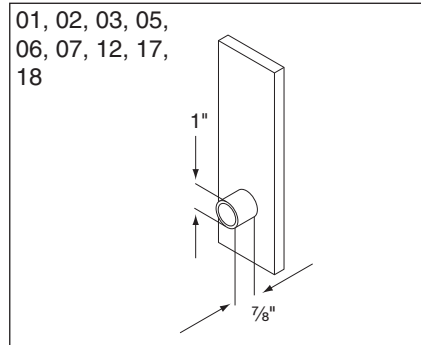
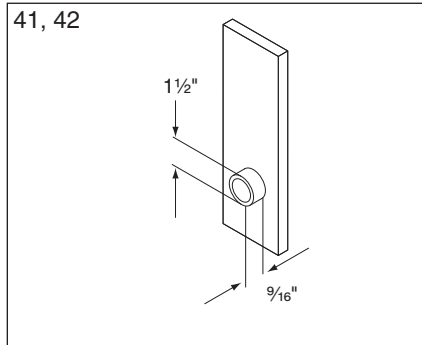


## N Escutcheon Trim

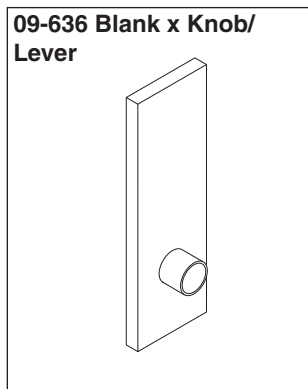
### Outside Escutcheon Dimensions

#### Knob/Lever Design

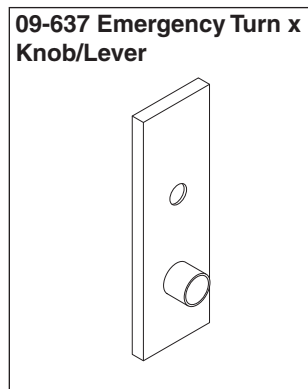
(8" x 2<sup>9</sup>/<sub>16</sub>" x 7/<sub>8</sub>" Heavy wrought reinforced brass, bronze or stainless steel base material—Bushing attached at factory)



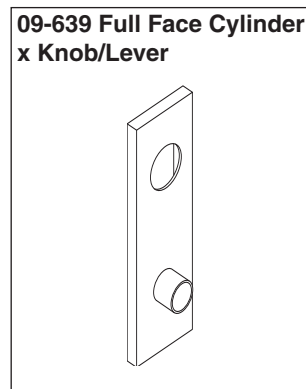
### Outside Escutcheons



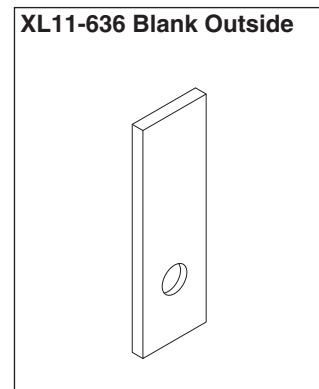
For all except 93N, specify 09-636 or 09-550 with knob/lever. Specify 09-650 with knob/lever for 93N.



For all except 93N specify 09-637 or 09-551 with knob/lever. Specify 09-651 with knob/lever for 93N.



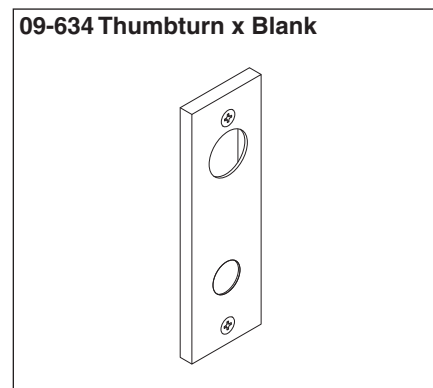
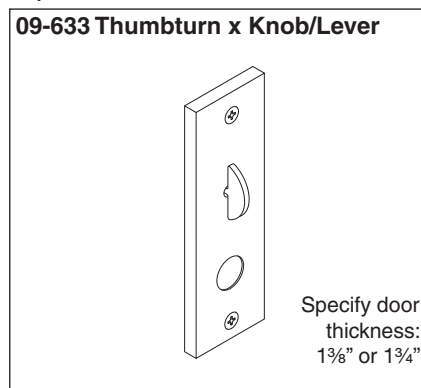
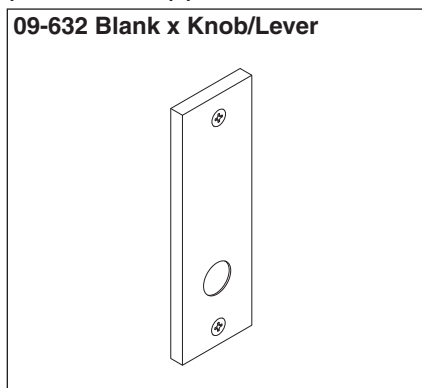
For all except 93N specify 09-639 or 09-553 with knob/lever. Specify 09-652 with knob/lever for 93N.



Specify XL11-636 00N and finish.

### Inside Escutcheons

(Includes two (2) screws and mounting plate)



**NOTES:** When ordering trim parts, specify the complete design and finish (e.g. 09-402 03N 605). See Schlage Commercial Price Book for available finishes.