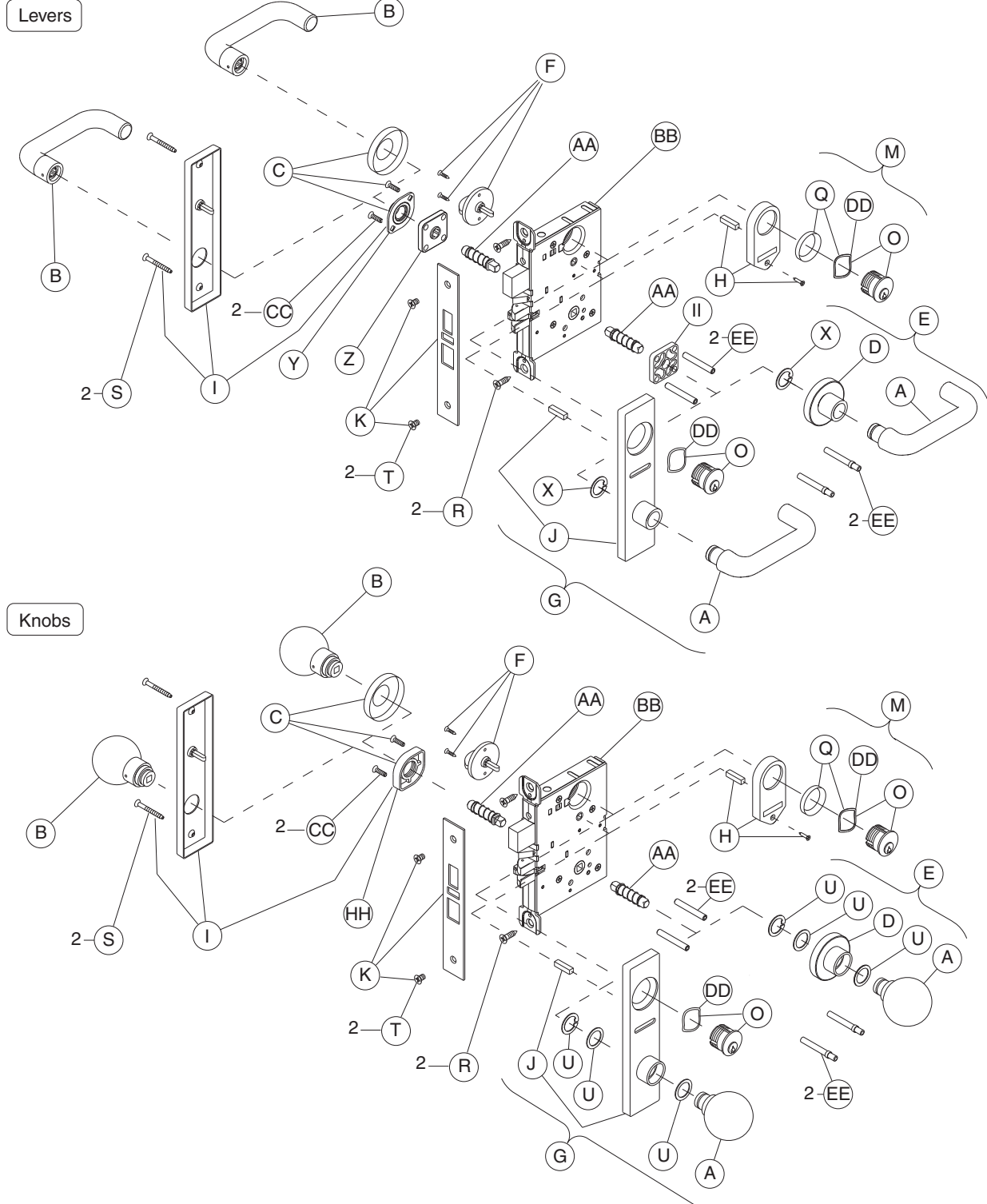


## Trim Assemblies

Hotel with Indicator Trim: L9486, LV9486, L9486 x L583-375, LV9486 x L583-375, L9496, LV9496



**NOTES:** L9496 and LV9496 lock functions have a latch and deadbolt. Lock case and armor front shown with latch, auxiliary latch, and deadbolt. Standard full face mortise cylinder shown.