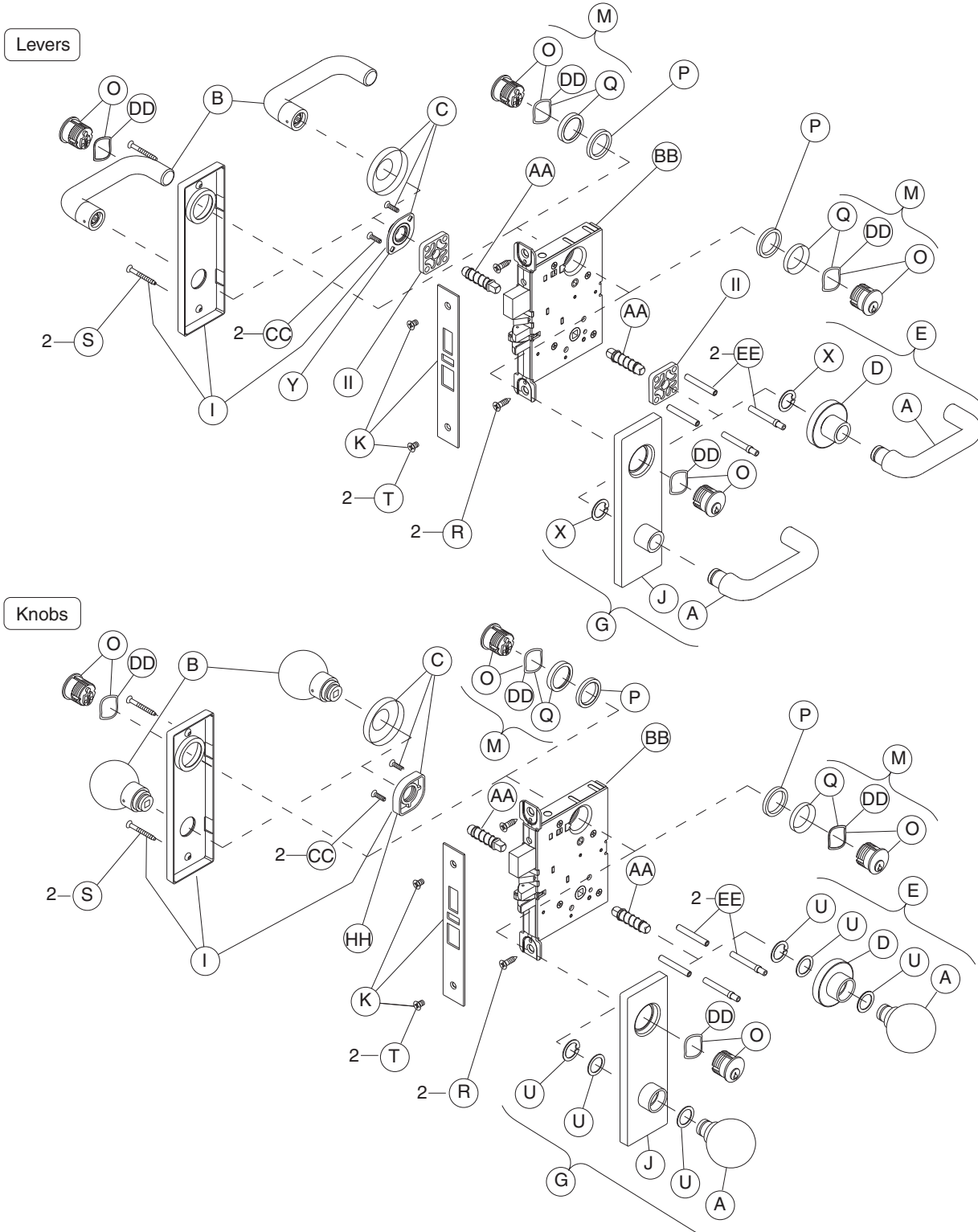


Trim Assemblies

Institution Deadbolt Trim: L9482 x XL11-543, LV9482 x XL11-543



NOTE: Standard full face mortise cylinder shown.