

Small Format Interchangeable Core (SFIC) Cylinders

The L-Series lockset can be ordered to accept small format interchangeable cores (SFIC) compatible with manufacturers such as Falcon, Arrow and Best; cams are easily changeable.

To order Schlage L-Series mortise locks with SFIC cylinders less core, change suffix P to BD. Example: L9453BD. To order locks with Everest B Family restricted keyway cores, change suffix to GD. To order with keyed construction cores, change suffix to HD. To order with disposable construction cores, change suffix to BDC.

For ordering information see page 35.

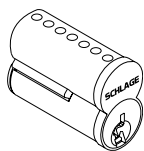
Standard (Non-IC) Mortise Cylinders



Design	Function	Core Mechanism			
		Everest Restricted (GD Suffix)	Keyed Construction (HD Suffix)	Disposable Construction (BDC Suffix)	Housing Less Core (BD Suffix)
L & N Escutcheons (cylinders with compression ring and spring)	All* except L9060 Outside	80-308	80-138	80-115	80-108
	L9060 Outside	30-030	20-782	30-032 + 36-083	80-104
Sectional Trim and L400-Series (cylinder with compression ring, spring and 1/4" blocking ring)	All* except L9060 Outside	30-138	20-776	30-137	80-101
	L9060 Outside	80-304 + 36-082-025	80-134 36-082-025	80-112 36-082-025	80-104 36-082-025

Finishes: 605, 606, 611, 612, 613, 619, 625, and 626.
Standard cylinder length is 1 3/8".

Small Format Interchangeable Core Only



Number	Description
80-036	7-Pin uncombined Everest B Family restricted keyways
80-037	7-Pin combined Everest B Family restricted keyways
80-043	6-Pin uncombined Falcon / Best keyways
80-033	7-Pin uncombined Falcon / Best keyways

Available 606 and 626 finish only. Specify keyway for existing systems.
80-033 and 80-043 cores are available in A, D, E, F, G, H, J, K, L, and M keyways.
Schlage assigns the keyway when establishing new Everest restricted key systems.

Blocking and Compression Rings

36-079



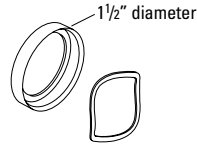
Blocking Ring. Specify finish and dimension. Not to be used with 36-083.

36-082



Blocking Ring. Specify finish and dimension. Use with 36-083.

36-083



Compression Ring and Spring. Specify finish and dimension.

L538-195



Compression Spring.

Dimensions for Blocking Rings

Blocking Ring Length	Dimension
1/8"	012
3/16"	018
1/4"	025
5/16"	031
3/8"	037
7/16"	043
1/2"	050

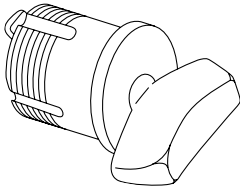
Full-Size Core Blocking Ring Requirements

Function	Trim	Door Thickness			
		1 3/8"	1 3/4"	2"	2 1/4"
		Dimension			
L9050, L9070, L9080, L9410 (disc), L9453, L9456, L9460 per XL11-886 or XL11-635, L9464 per XL11-886, L9465, L9473, L9480, L9496	Rose	050	037	025	025
	Escutcheon	025	012	N/R	N/R
L9485	Rose	—	037	025	025
	Escutcheon	—	012	N/R	N/R
L9486	Rose	012	N/R	N/R	N/R
	Escutcheon	025	012	N/R	N/R
L9060, L9071, L9077, L9082, L9457, L9462 per XL11-886, L9466, L9482	Rose	—	050	043	031
	Escutcheon	025	012	N/R	N/R
L460, L464, L496, L9460, L9464	Rose Trim	050	037	025	025
L462, L463, L9462, L9463	Rose Trim	—	050	043	031

Full-Size Core Blocking Ring Requirements

Function	Trim	Door Thickness			
		1 3/8"	1 3/4"	2"	2 1/4"
		Dimension			
L9050, L9060, L9070, L9071, L9077, L9080, L9082, L9453, L9456, L9457, L9462 per XL11-886, L9465, L9466, L9473, L9482	Rose	037	025	012	N/R
	Escutcheon	N/R	N/R	N/R	N/R
L9050, L9060, L9070, L9080, L9082, L9410 (disc), L9453, L9456, L9460 per XL11-886 or XL11-635, L9464 per XL11-886, L9465, L9466, L9473, L9480, L9496	Rose	—	050	037	025
	Escutcheon	018	N/R	N/R	N/R
L460, L464, L496, L9460, L9464 L462, L463, L9462, L9463	Rose Trim	037	025	012	N/R
	Rose Trim	—	050	037	025

Classroom Thumbturn Cylinders



These cylinders are for L463 and L9463 classroom function deadlocks. They are handed. They have a rotational stop in one direction to prevent locking from the inside, but allow unlocking. Cylinders are field-reversible by changing the position of the rotational stop. All cylinders furnished with L583-254 cam.

Number	Collar(s)
09-900	None
09-904	Compression ring and spring
09-905	For 1 ³ / ₄ " doors: compression ring, spring and 1/8" blocking ring
09-907	For 1 ³ / ₄ " doors: compression ring, spring and 1/8" blocking ring

Specify hand of door and finish. 1¹/₈" length standard. 09-900 and 09-905 also available in 1/8" increments up to 1³/₄".

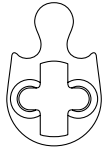
Mortise Cylinder Cams

Most Functions

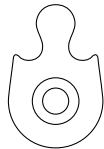
L400 and L9000 Series



L583-153
Everest and
Primus



L583-254
Classic
Conventional



L583-255
All IC

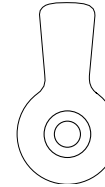
L9060 Outside Only



B502-948
Everest and
Primus



B502-191
Classic
Conventional



K510-680
All IC

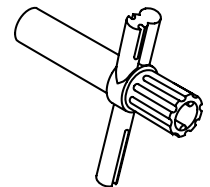
Cams Screws



- B502-942 Everest and Primus (non-IC)
- B502-468 Classic Conventional (non-IC)
- L583-333 All full-size interchangeable core
- B520-484 All small format interchangeable core

IC Installation Tool

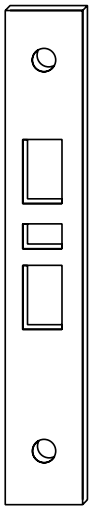
This tool is used to install and remove mortise cylinder housings and test mortise cylinder cam action for both small format and full-size interchangeable core cylinders. Its other ends are designed to install the driver and retainer for full-size IC in Schlage key-in-knob/lever locksets.



M504-413
(Order as needed)

Armored Fronts

L-Series armored fronts are produced from brass, bronze or stainless steel material, finished to match lock trim and furnished complete with screws. Numbers for ordering separately or with locks are listed below. Armored fronts are specified in latch column of order form.



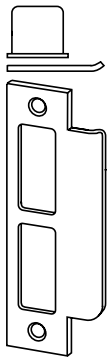
Standard Square Corner
1 1/4" (32 mm) width

Square Corner		Description
1 1/4" (32mm) Width	1 1/16" (27mm) Width	
09-662	09-668	Latch: L9010, 9040, 9044
09-663	09-669	Deadlatch: L9050, 9056, 9060, 9070, 9071, 9080, 908
09-664	09-670	Latch x deadbolt: L9444, 9456, 9457, 9465, 9466, 9473, 9496
09-665	09-671	Deadbolt: L9460, 9462, 9463, 946
09-666	09-662	Deadlatch x deadbolt: L9453, 9480, 9485, 948
09-661	09-667	Blank (no holes): L9175, L917
09-713	----	Deadlatch, non-UL: L9076, 9077 (holdback functions)
09-717	----	Deadbolt: L400-Series

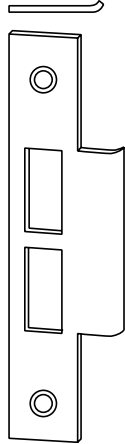
Note: For 1 3/8" (35mm) doors, 1 1/16" (27mm) front should be specified.

Strikes

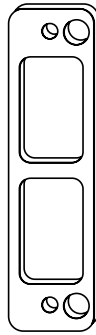
All L-Series strikes are produced from brass, bronze or stainless steel material, finished to match lock trim, and furnished complete with screws. Numbers for ordering separately or with locks are listed below.



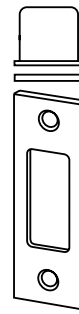
Standard for L9000
10-072
1 1/4" x 4 7/8"
x 1 3/16" Lip
32 mm x 124 mm
x 30 mm



Armored Front Strike
10-091
1 3/4" x 8" x 1 3/16" Lip
32 mm x 203 mm
x 30 mm



Wood Frame Reinforcer
37-015



Standard for L400
10-079
1 1/8" x 3 1/2"
32 mm x 89 mm



Optional for L400
10-078
1 1/4" x 4 7/8"
32 mm x 124 mm

Number	Lip Length	Description
10-072	1 3/16" (30mm)	L9000 Standard
	7/8" (22mm), 1" (25mm), 1 1/2" (38mm)	L9000 Optional
	1 3/4" (44mm), 2" (51mm)	L9000 Special lip
10-073	No Lip	L9460-Series deadlocks
10-075	No Lip	1/2" (13mm) Rabbeted (use with 1 1/16" (27mm) armor)
10-078	No Lip	1 1/4" x 4 7/8" with box, L400 optional
10-079	No Lip	1 1/8" x 3 1/2" with box, L400 standard
10-091*	1 3/16" (30mm)	Armored front strike, no box
K510-053	---	Strike box for 10-079
K10-066	---	Strike box, all except 10-079

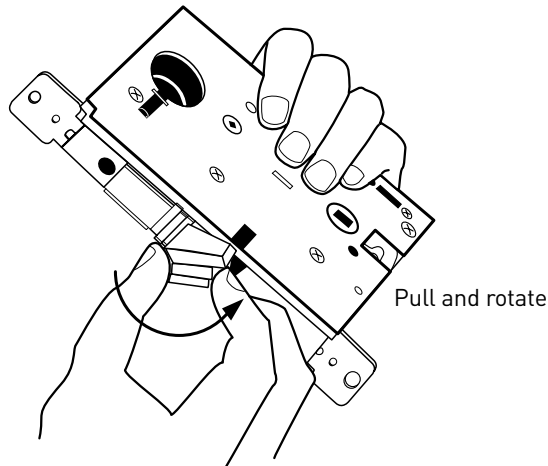
*Specify hand of inactive leaf.

Door Handing

One of the revolutionary features of the L-Series mortise lock is that handing can be done by the distributor or installer quickly and easily without opening the lock case. This feature allows a Schlage distributor to order L-Series locks as stock and customize the handing to each order's specification. This means off-the-shelf delivery to meet today's fast-track construction requirements. These mix-and-match lever-with-knob combinations, along with a quickly reversible lock chassis, provide the ultimate in stocking, ordering and installation flexibility. Orders can be filled from stock, minimizing delivery problems.

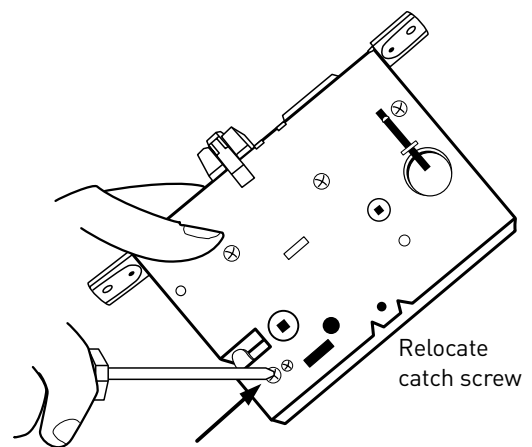
Changing Lock Hand

No more than two simple steps are required to change the hand of any L-Series lock. Rotate the latch unit 180° and/or change the catch screw position.



A. Changing Latchbolt Handing

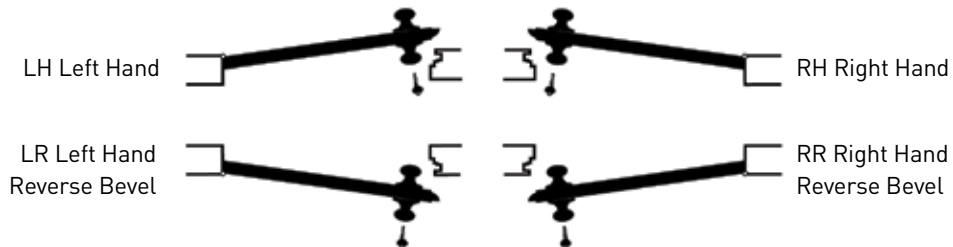
Remove armored front. Pull latchbolt away from chassis and rotate complete unit 180° to reverse the door handing. Reinstall armored front.



B. Change Chassis Handing

Remove catch screw from one side of chassis and install on opposite side. For RH and RR, the catch screw will be on the lock case side. For LH and LR, the catch screw will be on the lock case cover.

*Catch screw location reversed for Vandgard function. For first time users, an instructional video is available.



The hand is determined by the direction the door swings when viewed from the exterior or corridor side of the door.

Specifications

Handing:

L9000-Series lock bodies are field-reversible without disassembly.
L400-Series locks are non-handed.

Door Thickness:

1³/₄" (44 mm) standard. 1³/₈" (35 mm) to 2¹/₂" (64 mm) optional. Over 2¹/₂" (64 mm) door ranges vary by function. No escutcheon available for 1³/₄" (44 mm) doors standard. 2" to 2³/₈" (51 mm to 60 mm) optional. Specify door thickness if other than 1³/₄".

Backset:

2-3/4" (70 mm) only.

Armored Front:

L9000-Series: 1¹/₄" x 8" x 7/32" (32 mm x 203 mm x 6 mm) standard.
1¹/₁₆" x 8" x 1⁷/₃₂" (27 mm x 203 mm x 6 mm) optional.
L400-Series: 4⁷/₁₆" x 3⁵/₈" x 1" (113 mm x 92 mm x 25 mm)

Case Size:

L9000-Series: 4⁷/₁₆" x 6¹/₁₆" x 1" (113 mm x 154 mm x 25 mm)
L400-Series: 4⁷/₁₆" x 3⁵/₈" x 1" (113 mm x 92 mm x 25 mm)

Spacing:

Knob or lever to cylinder, 3⁷/₈" (98mm); knob or lever to thumbturn hub, 2¹/₁₆" (68mm).

Bolts:

1" (25mm) throw stainless steel deadbolt and 3/4" (19mm) throw stainless steel latch with anti-friction tongue.

Exposed Trim:

Knobs: #41 and #42 heavy-duty wrought brass, bronze or stainless steel knobs match D-Series knobs.

Levers: Forged brass or bronze and cast stainless steel. Designs available to match D-Series levers.

93 Lever Design: Extruded brass, bronze or stainless steel.

Mediterranean Designs: Forged-brass lever and rose.

Escutcheons: L escutcheons are cold-forged brass or bronze and stainless steel. N escutcheons are heavy wrought reinforced brass, bronze and stainless steel.

Trim Combinations: Available with knob both sides, lever both sides, or knob and lever with rose or escutcheon both sides.

Strike:

L9000-Series: ANSI curved lip strike 1¹/₄" x 4⁷/₈" (32 mm x 124 mm) x 1³/₁₆" (30 mm) lip to center with dust box standard. L400-Series: 1¹/₈" x 3⁵/₈" (29 mm x 92 mm) with dust box.

Cylinder & Keys:

6-pin Everest C123 keyway cylinder with two patented keys standard.

Keying Options:

Interchangeable core and Primus high security cylinders. Master keying, grand master keying and construction keying.

Certifications

ANSI:

L9000: ANSI A156.13 Series 1000, Grade 1 Operational and Security, UL Listed for 3-hour fire door (except L9076 and L9007). With interchangeable core cylinders: Grade 2 Security.

With Concealed Shell Cylinder: A156.13 Grade 1 Operational and Security. ANSI/ASTM F476-76 Grade 40, UL Listed. L400: ANSI A156.5 Grade 1

California State Reference Code:

(Formerly Title 19, California State Fire

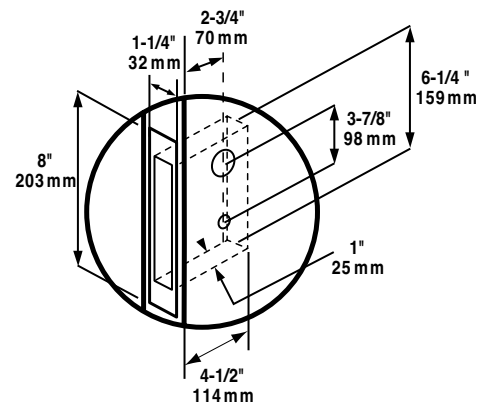
Marshal Standard) All levers with returns

comply; levers return to within 1/2" of door face.

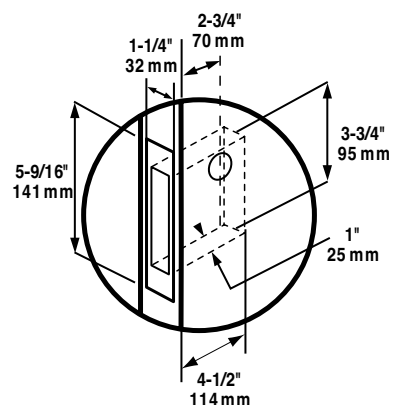
UL / cUL:

All locks listed for A label single doors, 4' by 10'. Letter F and UL symbol on latch front indicate listing. Electrified functions are UL19X Listed for single-point locking applications. UL437 Listed locking cylinder optional: specify Primus 20-500 Series cylinder.

Door Preparation for L9000 Series



Door Preparation for L400 Series



How to Order

To order Schlage products, descriptive data should be in the same sequence as shown.

Line Item	Qty	Product	Outside		Inside		Hand	Front	Strike	Door Thickness	Ext	Dim	Additional Details
			Des	Fin	Des	Fin							
1	2	3	4	5	6	7	8	9	10	11	12	13	14

- 1 Line item number
 - 2 Quality
 - 3 Complete model number with function and cylinder type
- To order cylinder options, change "P" at the end of the model number as follows:



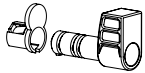
- L9453P Standard
- L9453L Less standard cylinder. For Primus cylinder, specify this option and order Primus cylinder separately.
- L9453C With temporary plastic construction cylinder. Double cylinder functions ordered less cylinder are furnished with these construction cylinders to maintain timing of key cams.



- L9453J Prepared for full size interchangeable core, less core. For Primus core, specify this option and order Primus core separately.
- L9453R With full-size conventional interchangeable core installed. Order control keys separately.
- L9453T With full-size (temporary) construction core installed. Order all keys separately.



- L9453BD Prepared for small format (Falcon, Best, etc.) interchangeable core (SFIC), less core.
- L9453GD With Everest B Family restricted keyway small format core installed. Order control keys separately.
- L9453HD With small format keyed brass construction core installed. Order all keys separately.



- L9453BDC With small format disposable plastic construction core installed.

- 4/5 Outside design / finish. Specify tactile warning (knurling) here as "8" before lever design, e.g. 803. To specify complete design, combine the numeric knob or lever design with the alpha rose or escutcheon design. Example: 03L, 93A, 42B. When ordering Mediterranean design levers with L escutcheons, specify AST/00L, AVA/00L or MER/00L.
- 6/7 Inside design/finish. Leave blank if same as outside.
- 8 Hand. One hand per line item.
- 9 Front (use "Strike" field on Schlage form). Leave blank for standard armored front or enter number for narrow front.
- 10 Strike. Leave blank for standard or specify part number for optional strike. LLL = Less Strike.
- 11 Door thickness, if non-standard. Example: 200 = 2".
- 12 Extension, to specify whether thick door is extended inside (EI), outside (EO), differently (ED) or equally (EE).
- 13 Dimension for strike lip lengths. See strike page for availability of specific dimensions with specific strikes.

100 = 1"	114 = 1 1/4"	112 = 1 1/2"	200 = 2"
118 = 1 1/8"	138 = 1 3/8"	134 = 1 3/4"	

- 14 Keying detail (e.g. key symbol, keyway, bitting) and other special requirements.

Example

Line Item	Qty	Product	Outside		Inside		Hand	Front	Strike	Door Thickness	Ext	Dim	Additional Details
			Des	Fin	Des	Fin							
1	50	L9453P	03A	626			RH		10-091				
2	50	L9453P	03A	626			LH		10-091				
3	10	L9040	03A	626			RH			138			
4	10	L9040	03A	626		625	LH	09-668		138			
5	50	L9456P	07L	626		625	RH	09-668					
6	50	L9456P	07L	626			LH						

Note: Schlage order forms are available at no charge by contacting your IR Security & Safety Consultant or Customer Service.



Ingersoll Rand (NYSE:IR) advances the quality of life by creating and sustaining safe, comfortable and efficient environments. Our people and our family of brands—including Club Car®, Ingersoll Rand®, Schlage®, Thermo King® and Trane®—work together to enhance the quality and comfort of air in homes and buildings; transport and protect food and perishables; secure homes and commercial properties; and increase industrial productivity and efficiency. Schlage is the leader in security devices, trusted for 90 years, spanning both the commercial and residential markets. Ingersoll Rand is a \$14 billion global business committed to a world of sustainable progress and enduring results.



securitytechnologies.ingersollrand.com

ingersollrand.com