



# L-Series

Commercial Locks



# Contents

- 4 L-Series Commercial Locks
- 6 Schlage L9000 Series
- 7 Schlage L400 Series
- 8 M Collection Decorative Lever Designs and Finishes
- 10 Standard Lever Designs and Finishes
- 12 Danmark Lever Designs and Finishes
- 14 Escutcheons and Roses
- 15 Thumbturns
- 16 Lock Components
- 17 Lock Functions - ANSI A156.13, Series 1000
- 18 Lock Functions - Single Cylinder Non-Deadbolt
- 19 Lock Functions - Single Cylinder Deadbolt
- 20 Lock Functions - Double Cylinder Non-Deadbolt and Deadbolt
- 21 Lock Functions - Full Mortise and Small Mortise Deadlocks
- 22 L-Series Universal Transformation Instructions
- 24 Electrified Lock Function
- 25 Cylinder Types
- 26 Standard (Non-IC) Cylinders
- 27 Full-Size Interchangeable Core (FSIC) Cylinders
- 28 Small Format Interchangeable Core (SFIC) Cylinders
- 29 Blocking and Compression Rings
- 30 Classroom Thumbturn Cylinders
- 31 Armored Fronts
- 32 Strikes
- 33 Door Handing
- 34 Specifications
- 34 Certifications
- 35 How to Order





## Put Your Trust in the Name You Know

For more than 85 years Schlage® has been providing innovative security solutions for schools, hospitals, hotels, condominiums and a host of other commercial buildings. Today, Schlage is at the forefront of cutting-edge technology such as wireless security products, biometrics and CCTV. With a wide range of products, styles and finishes, Schlage has what you need no matter how demanding your project specifications may be. And we stand behind every lock we make with some of the best after-sales service in the business. It's this commitment to design, performance and technology that ensures you can stand behind our products too.



## Real Security is Knowing Exactly What You Want and Getting It

When you know exactly what you want, you don't want to waste time finding out whether it meets your project specifications. That's why we offer the world's largest team of hardware specification writers to help you and your clients turn your vision into reality. And when it comes to products, our commercial suiting options, wide variety of lever designs and rich selection of finishes give you the tools you need to make your projects perfect. You know what you want. With Schlage you can be sure you'll get it.

### **Safety, Security and Confidence**

When you choose a Schlage lock you can be sure you've done the job right the first time. After all, our products are among the most durable and dependable on the market today. Our locks are easy to install, and simple to repair and maintain. That means fewer callbacks for you and total safety and security for your customers.



# L-Series

## Commercial Locks

### **Nothing is tougher.**

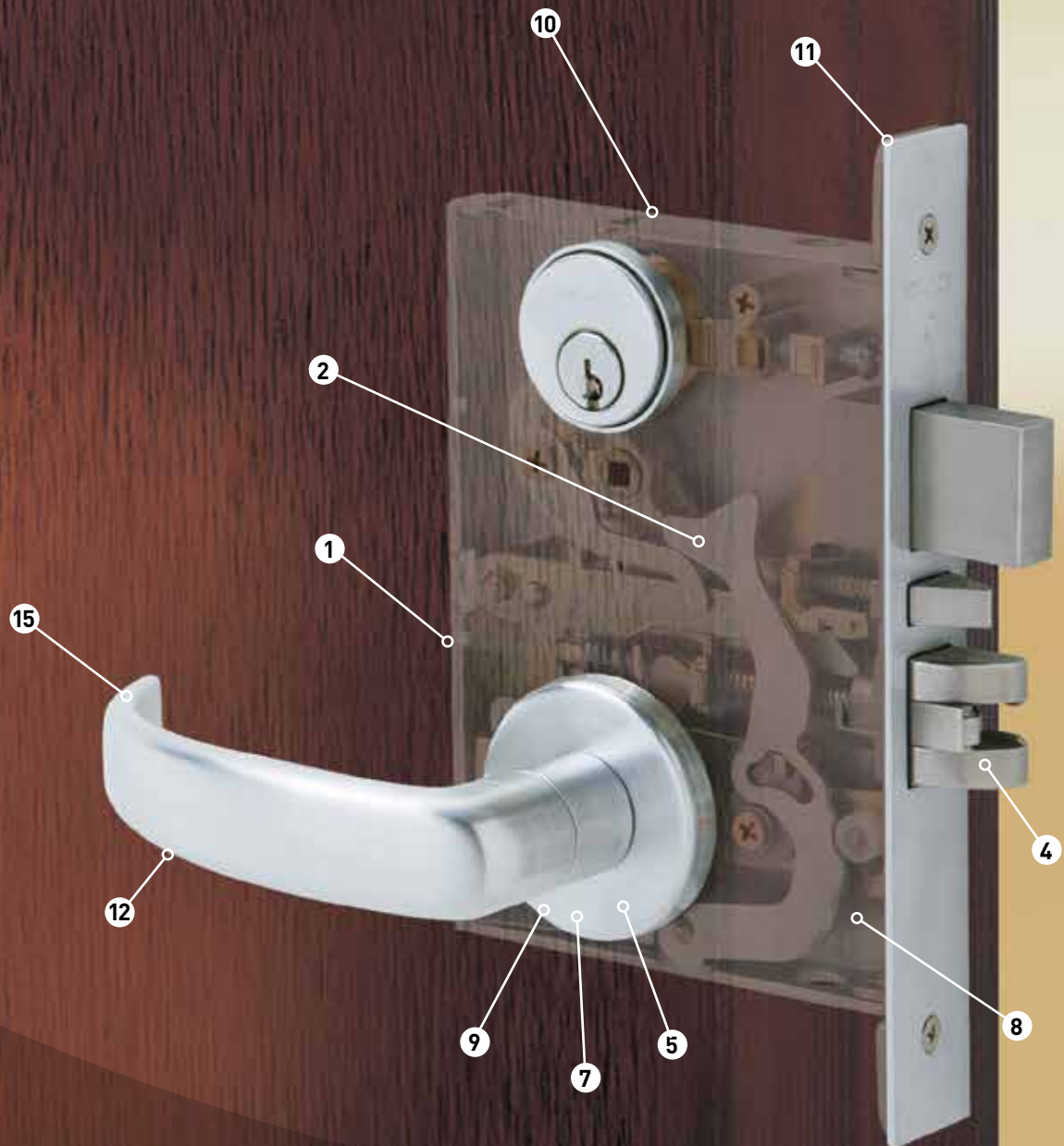
At Schlage we know that every product you specify has to stand up to constant use and abuse. Your building's locking systems face an additional challenge – keeping people and other assets safe while delivering constant, reliable performance. Schlage L-Series Extra Heavy Duty Mortise Locks are built to withstand the rigors of daily use without fail.

### **We don't compromise on security.**

The safety and security of your clients' buildings is something we take very seriously. That's why every Schlage lock and deadbolt undergoes intensive testing to determine its ANSI grade level:

- Cycle tests
- Door impact tests
- Bolt strength tests
- Resistance tests
- Warped door tests

We pay attention to these details so you can focus on creating a functional and aesthetically pleasing environment for your clients. In fact, every one of our L-Series locks meets ANSI Grade 1 standards for safety.



## Vandlgard®

The L-Series Vandlgard is ideal for areas subject to abuse or anywhere vandalism is likely to be present. Vandlgard prevents damage to internal lock components caused by excessive force from kicking, hitting or standing on the lever to gain access.

It's easy to retrofit standard L-Series locks with Vandlgard using the Vandlgard Retrofit Kit and an instructional DVD that shows installation on existing hardware.

# The Right Lock for Every Application

## Schlage L9000 Series

Our L9000 Series locks are ideal for use in schools, hospitals and factories, where the finest hardware must also deliver consistent, dependable operation and stand up to constant use and abuse.

### Strength and Durability

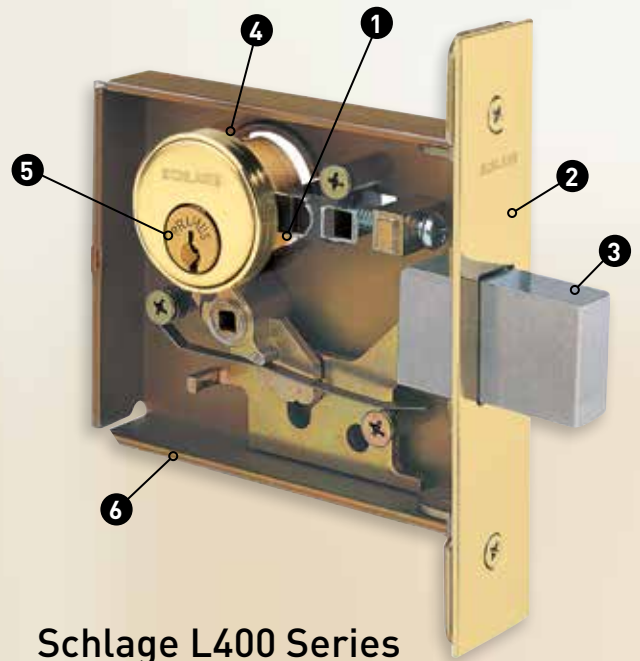
1. Fully wrapped heavy-gauge steel case protects against door edge attacks
2. All-metal zinc dichromate-plated working parts
3. Inside lock case protects electronic components
4. Two-piece anti-friction tongue reduces wear and tear
5. Outside and inside trim thru-bolted together and through the door

### Security Built In

6. Break-away spindle prevents unsecured failures and provides easy spindle replacement
7. Hub blocking plate protects lock against spindle manipulation
8. Spring-loaded fusible link provides fail secure mode in case of fire
9. Inside lever applied by screwless shank mounting – no exposed trim mount screws

### Adaptable To Your Application

10. Universal lock case – ten functions in one case
11. Floating mounting tabs automatically adjust to fit a beveled door edge
12. Field-reversible handing without opening lock case
13. External spring cages allow for simple trim retrofit
14. Locking thumbturn on the inside of door visually shows when the door is locked and unlocked
15. Lever rotation in both directions (up and down) for ease of use
16. Independent lever rotation



## Schlage L400 Series

Our L400 Series locks are designed for use as primary locks where no latching is required, such as restrooms and small doors to utility spaces. They also offer optimum security when used as auxiliary locks in other applications.

1. High-strength steel alloy cylinder retainer
2. Armored front in brass, bronze or stainless steel; adjustable for door bevel
3. 1" (25 mm) stainless steel throw deadbolt
4. Deeper retainer groove in cylinder shell increases security against wrenching and pullout; all cylinders backward compatible
5. 6-pin Everest® cylinder with patented keys standard
6. Steel case and parts are corrosion resistant

# M Collection Decorative Lever Designs

A range of options. A single standard of quality.

Introducing the M Collection, an entire lineup of decorative levers designed to maintain a custom high-style look on doors throughout any building— from the main entrance to the supply closet.



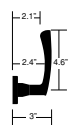
**M51**  
**Material:** Forged brass and cast stainless steel



**M52**  
**Material:** Forged brass and cast stainless steel



**M53**  
**Material:** Forged brass and cast stainless steel



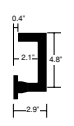
**M56**  
**Material:** Forged brass and cast stainless steel



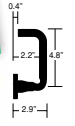
**M57**  
**Material:** Cast stainless steel



**M61**  
**Material:** Forged brass and cast stainless steel



**M81**  
**Material:** Forged brass and cast stainless steel



**M82**  
**Material:** Forged brass and cast stainless steel



**M83**  
**Material:** Forged brass and cast stainless steel





All 15 of the M Collection levers can be paired with any of these commercial graded products for suiting across an office, a floor or an entire building.

- Schlage L-Series Mortise
- Schlage LT-Series Tubular - available April 2014
- Von Duprin 98/99 Exit Devices
- Von Duprin 33A/35A Exit Devices
- Von Duprin 94/95 Exit Devices

The ability to suite M Collection levers across multiple platforms from Schlage and Von Duprin means consistent style and functionality—along with unrivaled security. The M Collection was designed to function as a visual extension of any interior, from contemporary to classic. Its streamlined design is void of unsightly screws, allowing the lever to accent your door without distraction.



M54  
**Material:** Forged brass and cast stainless steel



M55  
**Material:** Forged brass and cast stainless steel



M62  
**Material:** Cast stainless steel



M63  
**Material:** Forged brass and cast stainless steel



M84  
**Material:** Forged brass and cast stainless steel



M85  
**Material:** Forged brass and cast stainless steel



## Finish Key\*



605  
Bright Brass



606  
Satin Brass



609  
Antique Brass



619  
Satin Nickel



625  
Bright Chromium Plated



626  
Satin Chromium Plated



629  
Bright Stainless Steel



630  
Satin Stainless Steel



643e  
Aged Bronze