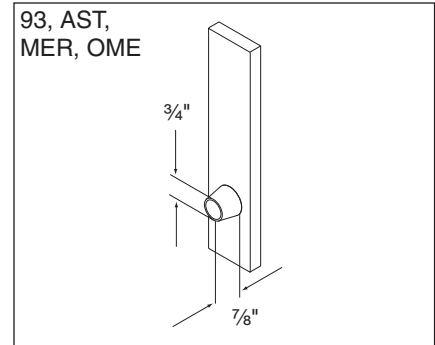
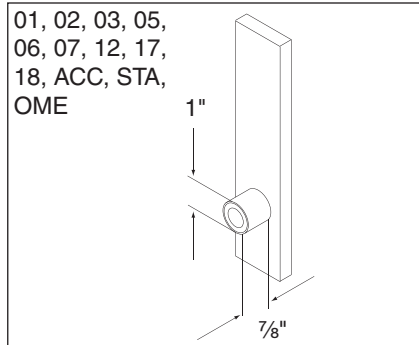
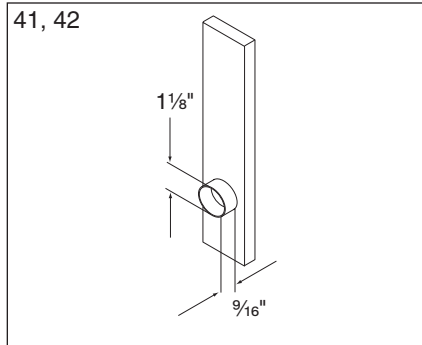


## L Escutcheon Trim

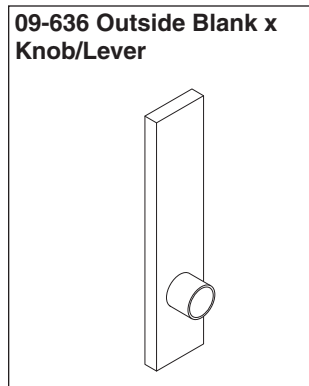
### Outside Escutcheon Dimensions

#### Knob/Lever Design

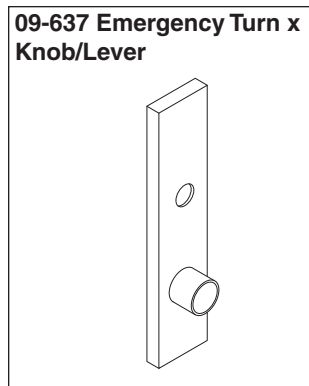
(8" x 1 3/4" x 7/16" Cold forged brass, bronze, or stainless steel base material – Bushing attached at factory)



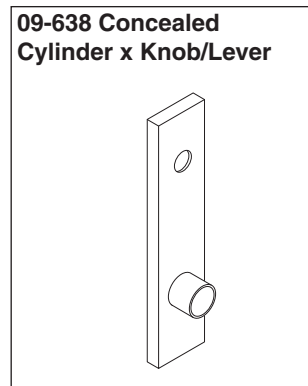
### Outside Escutcheons



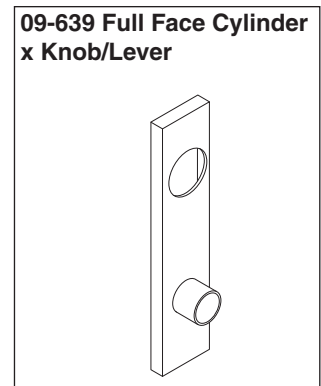
Specify 09-636 or 09-550 with knob/lever.



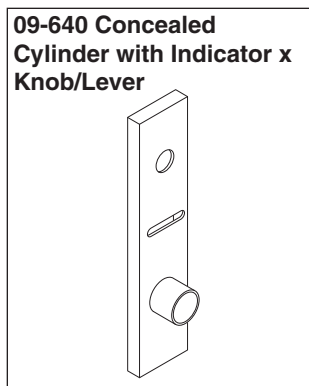
Specify 09-637 or 09-551 with knob/lever.



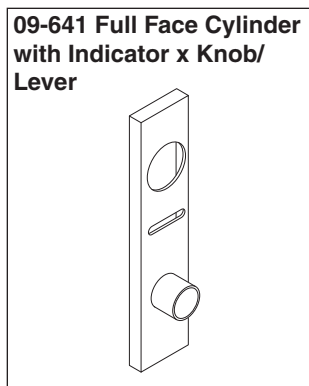
Specify 09-638 or 09-552 with knob/lever.



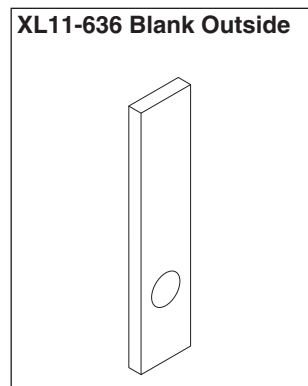
Specify 09-639 or 09-553 with knob/lever.



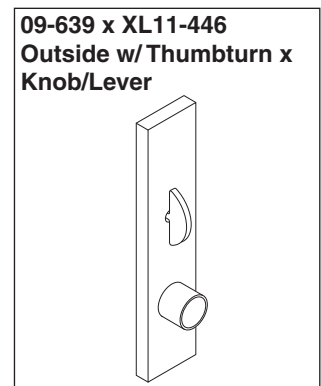
Specify 09-636 or 09-550 with knob/lever. Specify L583-375 for "Occupied".



Specify 09-636 or 09-550 with knob/lever. Specify L583-375 for "Occupied".



Specify XL11-636 OOL.



For L9040 x XL11-446 function. Not sold separately as a part.

**NOTES:** When ordering trim parts, specify the complete design and finish (e.g. 09-402 01A 605). See Schlage Commercial Price Book for available finishes.

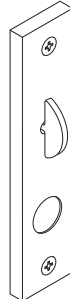
## L Escutcheon Trim

### Inside Escutcheons

09-632 Blank x Knob/Lever



09-633 Thumbturn x Knob/Lever



Specify door thickness: 1 $\frac{3}{8}$ " or 1 $\frac{3}{4}$ "  
Available with EZ Turn (ADA).  
(See "Trim Options" page 97).

09-634 Thumbturn x Blank



Specify door thickness: 1 $\frac{3}{8}$ " or 1 $\frac{3}{4}$ "  
Available with EZ Turn (ADA).  
(See "Trim Options" page 97).

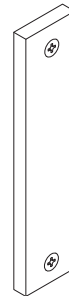
09-635 Full Face Cylinder x Knob/Lever



L583-187 Concealed Cylinder x Knob/Lever



XL11-634 Blank Inside



Specify XL11-634 OOL.

**NOTES:** When ordering trim parts, specify the complete design and finish (e.g. 09-632 01L 605).  
See Schlage Commercial Price Book for available finishes.