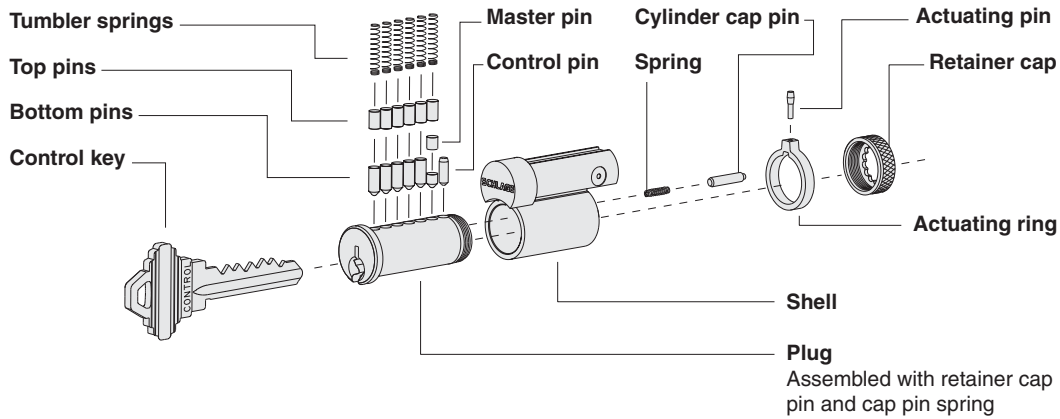
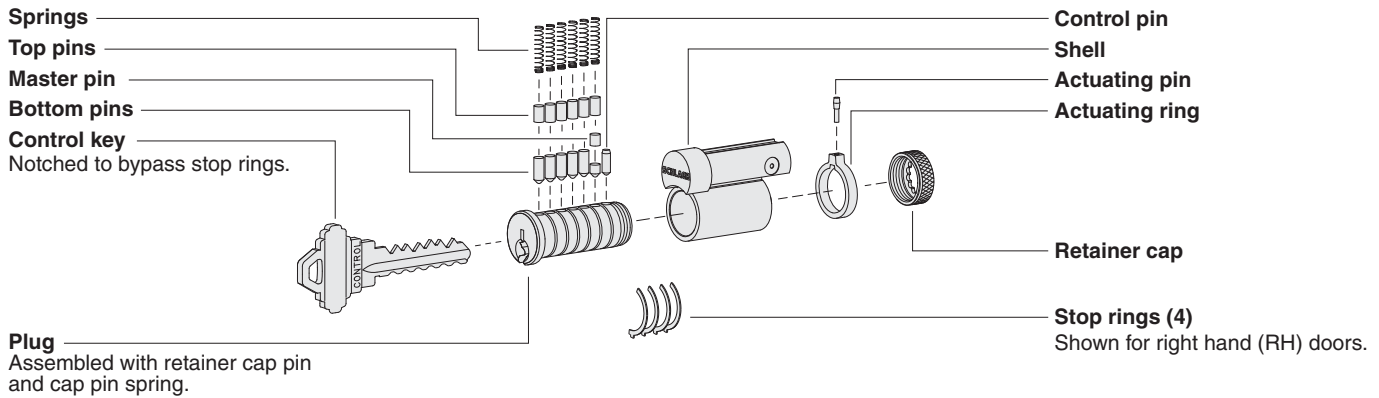


Full Size Interchangeable Cores

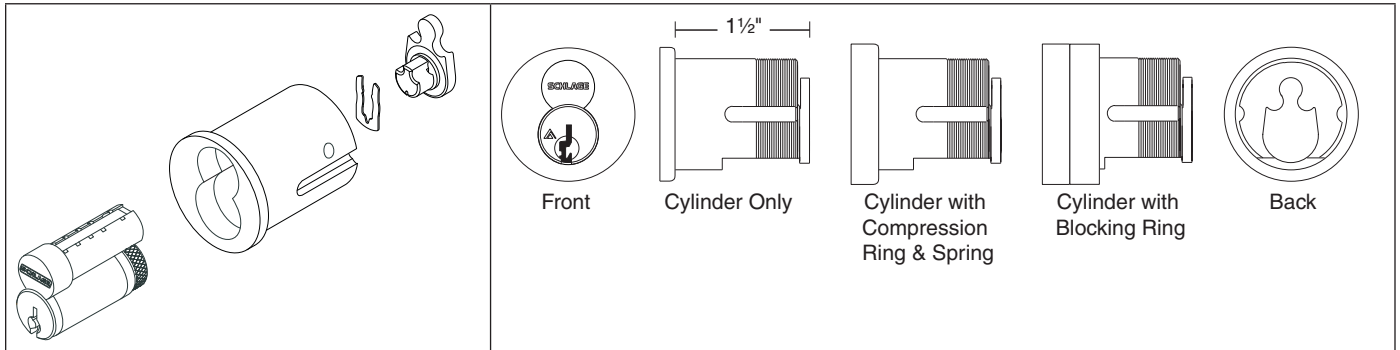
Exploded View—Full Size Classic



Exploded View—Full Size Hotel Classic



Full Size Interchangeable Cores



L-Series and LV-Series (except L9060/LV9060 Outside)

Description	Cylinder Mechanism	Complete Cylinder	Cam
Cylinder Only: L & N Escutcheons	Housing Less Core	30-016	
Cylinder with Compression Ring & Spring: L & N Escutcheons	Conventional Core	30-008*	
	Primus® Core	20-798	
	Primus® XP Core	20-798-XP	
	Hotel Function	30-010**	
	Housing Less Core	30-007	
Cylinder with Compression Ring, Compression Spring and 3/8" Blocking Ring: Rose Trim	Conventional Core	30-138*	
	Primus® Core	20-776	
	Primus® XP Core	20-776-XP	
	Hotel Function Core	30-140**	
	Housing Less Core	30-137	

L-Series and LV-Series L9060/LV9060 Outside

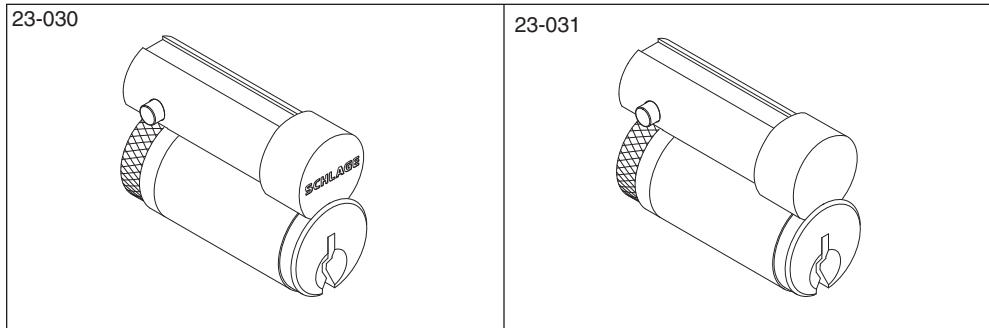
Description	Cylinder Mechanism	Complete Cylinder	Cam
Cylinder Only: L & N Escutcheons	Housing Less Core	30-032	
Cylinder with Compression Ring & Spring: L & N Escutcheons	Conventional Core	30-030*	
	Primus® Core	20-782	
	Primus® XP Core	20-782-XP	
Cylinder with Compression Ring, Compression Spring and 1/2" Blocking Ring: Rose Trim***	Primus® Core	20-783	
	Primus® XP Core	20-783-XP	

* Can be ordered with construction core.

** Specify hand for hotel function cylinders. Not available in Primus®. Emergency key must be ordered separately.

*** For this configuration with conventional core, order 30-030 cylinder and 36-082-050 blocking ring.

Full Size Interchangeable Cores



Full Size Cores

Part Number	Description
23-030	Conventional Core
23-031	Conventional Core less logo
20-740	Primus® Core
20-740-XP	Primus® XP Core
20-741	Primus® Core less logo
20-741-XP	Primus® XP Core less logo
30-120*	Hotel Function Conventional Core for L9485 and L9486
30-121*	Hotel Function Conventional Core, less logo, for L9485 and L9486

Full Size Cores

Part Number	Description
C503-115	Cap Pin Spring (Order in multiples of 100)
C503-118	Retainer Cap (Order in multiples of 25)
C603-347**	Cap Pin (Order in multiples of 100)
C603-827	Cap Pin (Order in multiples of 100)
C603-956	Actuating Ring
C603-964	Actuating Pin (Control top pin)
C603-967	Control Bottom Pin (Order in multiples of 100)

* Specify hand for hotel function cores. Emergency keys must be ordered separately.

** For cores manufactured before November 1997.

NOTES: 1) Control keys must be ordered separately.

2) Finishes: 606 and 626.

3) Full size cores, conventional and Primus®, can be integrated into any Schlage key system with compatible Everest® or Classic keyways.

4) Primus® cores can be integrated into any Schlage 6-pin key system with compatible Primus® keyways.

5) Primus® cores are Controlled Access. Specify LKB if 0-bitted Primus® cores are required less key blanks.