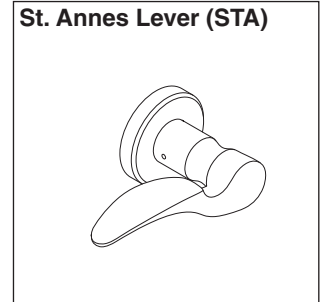
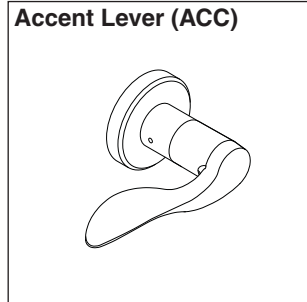
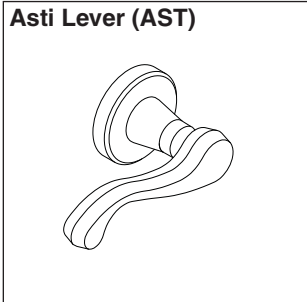
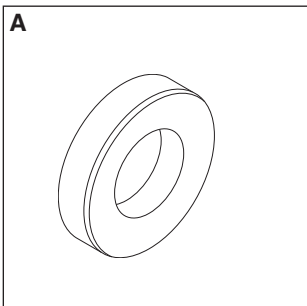


# Decorative Trim

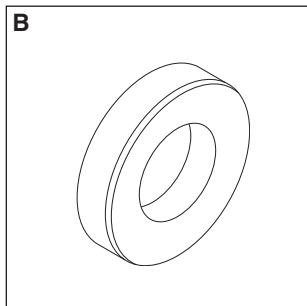
## Decorative Levers



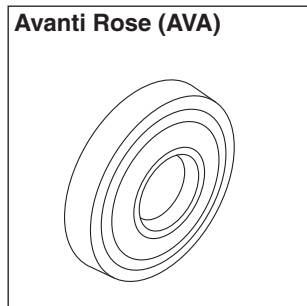
## Decorative Roses



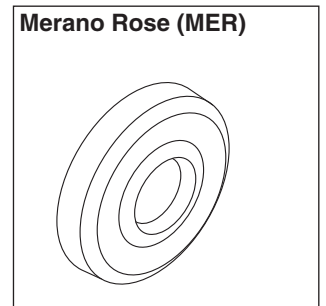
2 1/8" diameter



2 9/16" diameter

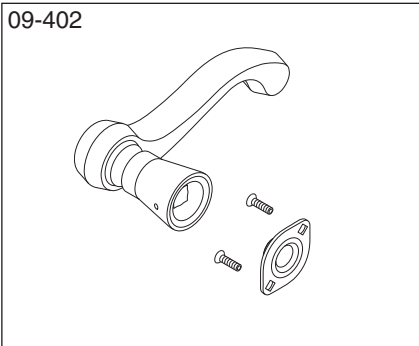


2 5/8" diameter



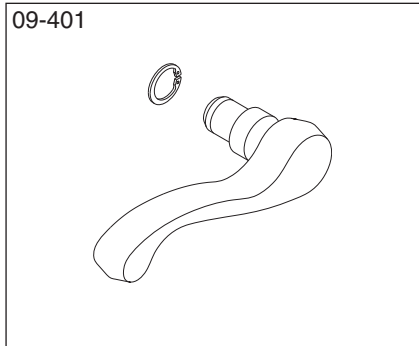
2 5/8" diameter

## Inside Lever Assembly (Bushing attached at factory)



Furnished with spanner wrench.

## Outside Lever Assembly



Furnished with retainer seating tool.

**NOTE:** See Schlage Commercial Price Book for available finishes.