

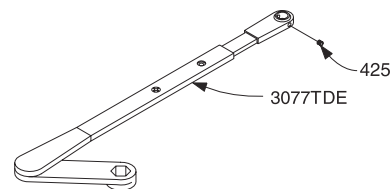
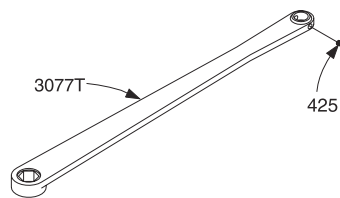
# LCN 4040T SERIES

## Complete Arm Assemblies

4040T-3077T	Standard Arm	F
	<i>Includes 4040T-159, &amp; -425</i>	
4040T-3077DE	Double Egress Arm	F, H
	<i>Includes 4040T-78DE, -82, -83H, -159, &amp; -425</i>	

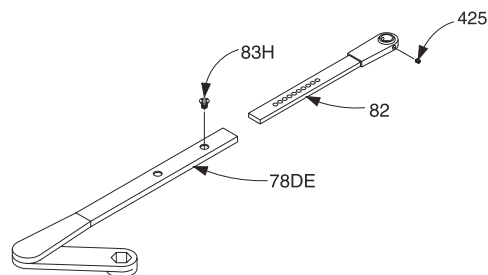
## Individual Arm Parts

Individual arm parts for 4040T-3077T & -3077DE		
4040T-78DE	Main Arm & Tube	F, H
	<i>Includes 4040T -159</i>	
4040T-82	Rod	F
	<i>Includes 4040T-83H</i>	
4040T-83H	H Arm Screw	F
4040T-159	Arm Screw	F
4040T-425	Roller Locking Screw	
4040T-3034	Track Roller	



## Complete Track Assemblies

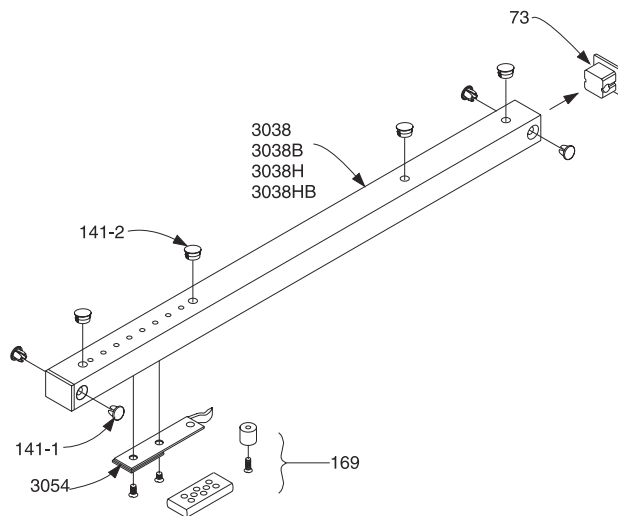
4040T-3038	Standard Track	F
	<i>Includes 4040T-73 (2), -141-1 (4) &amp; 141-2 (4)</i>	
4040T-3038B	Standard Track w/Bumper	F
	<i>Includes 4040T-73 (2), -141 -1(4), 141-2 (4) &amp; -169</i>	
4040T-3038H	Standard Track w/Hold-Open	F
	<i>Includes 4040T-73 (2), -141 -1(4), 141-2 (4) &amp; -3054</i>	
4040T-3038HB	Standard Track w/Bump & HO	F
	<i>Includes 4040T-73 (2), -141-1 (4), 141-2 (4), -169, &amp; -3054</i>	



## Individual Track Parts

Individual track parts for 4040T-3038, -3038B, 3038H, & -3038HB

4040T-73	End Cap	
4040T-141-1	Track Plug	F
4040T-141-2	Track Plug	F
4040T-169	Bumper Assembly	
	<i>Includes post &amp; mounting screws</i>	
4040T-3034	Track Roller	
4040T-3054	Hold-Open Spring Clip	
	<i>Includes mounting screws</i>	



Please specify finish (F), size (S), hand (H), & voltage (V) where indicated. See the latest edition of the LCN Catalog for part descriptions and specifications on many of the items shown above. List prices for items shown above can be located in the current LCN Price List.