

RIGHT HAND DOOR & PIVOT SHOWN.
LEFT HAND OPPOSITE

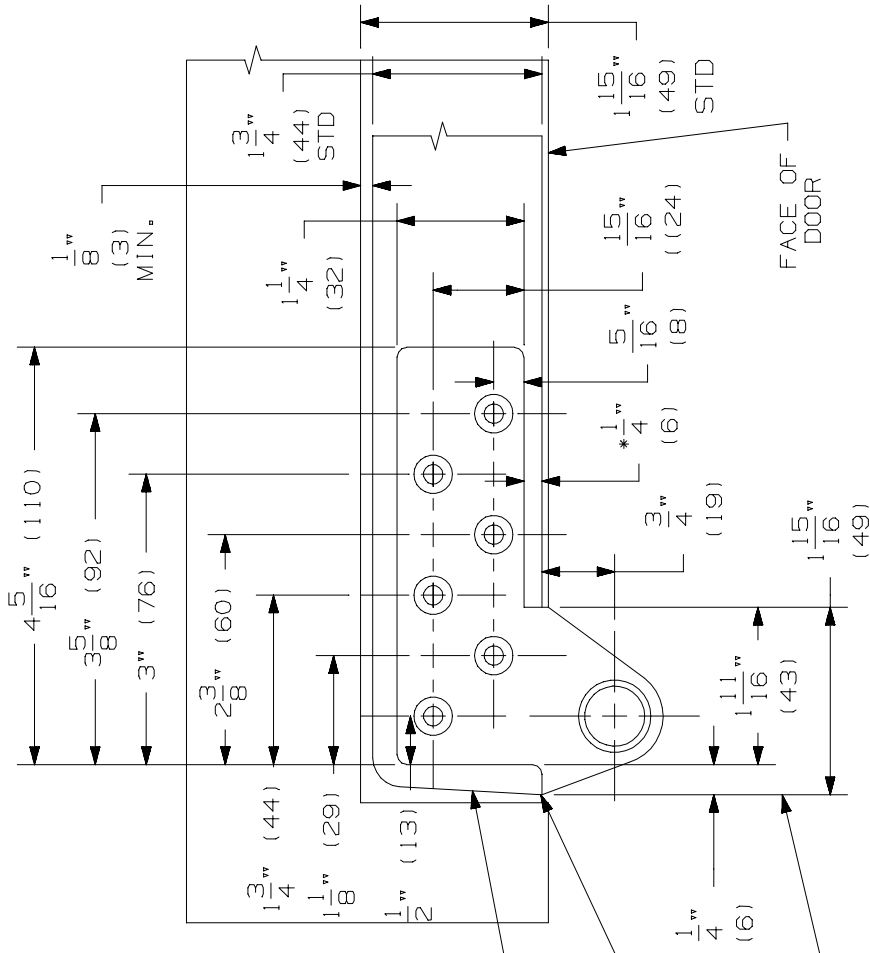
NOTES:

1. INSTALLER MUST VERIFY THAT CENTERLINE OF TOP PIVOT POINT LINES UP WITH THE CENTERLINE OF BOTTOM PIVOT POINT.
2. BOTTOM PIVOT SET SHOULD BE MOUNTED FIRST IN MOST INSTALLATIONS.
3. HEEL EDGE OF DOOR MUST BE BEVELED 1/8" IN 2" AS SHOWN.
4. PIVOTS MFG. TO ACCEPT 1/4-20 X 3/4 FPHMS OR #14 X 1-1/2 FPHMS.
5. TEMPLATING FOR DOOR LEAF & FRAME LEAF IS IDENTICAL.
6. REINFORCING PER ANSII/SDD1-100 RECOMMENDED FOR HOLLOW METAL DOORS & FRAMES.

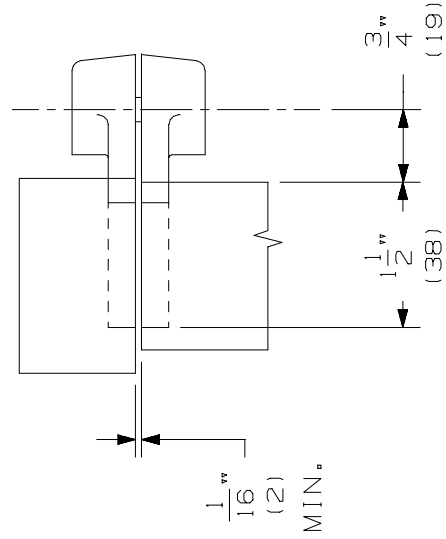
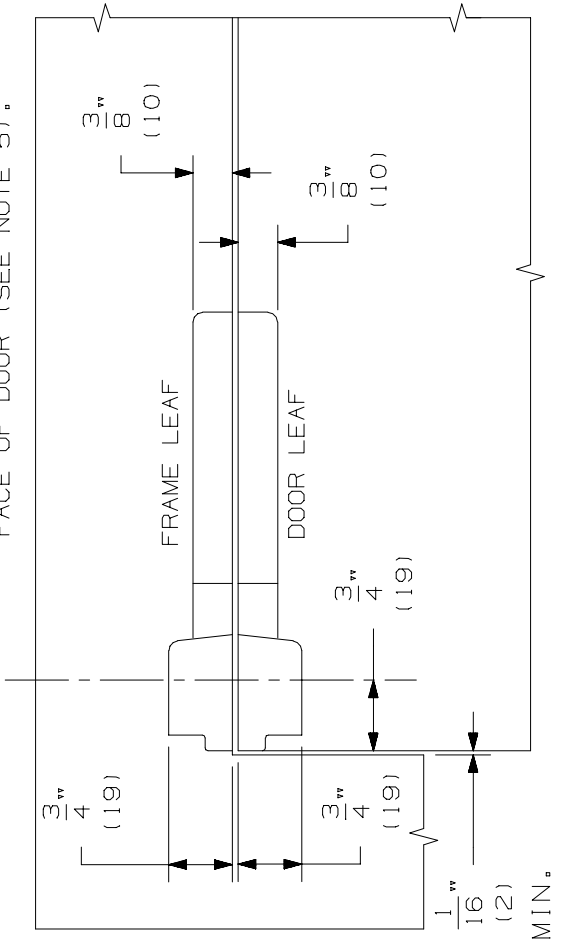
BEVEL HEEL EDGE
OF DOOR 1/8 IN 2"
5/16 RAD. TYP.

SECTION OF HEAD
JAMB MAY REQUIRE
SMALL NOTCH

EDGE OF
DOOR



* FRAME LEAF ALSO LOCATES FROM
FACE OF DOOR (SEE NOTE 5).



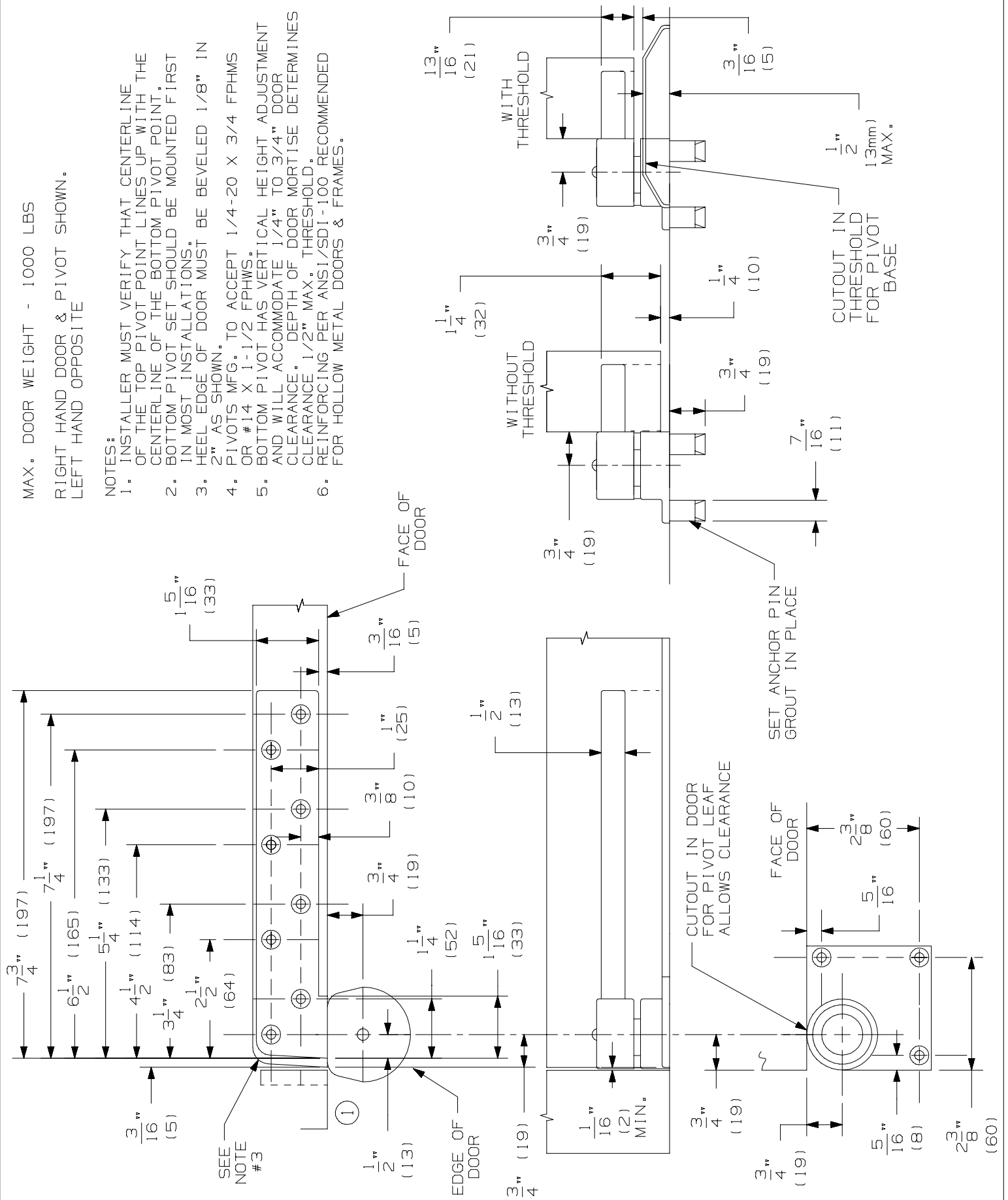
7230F PIVOT SET
7230F TOP PIVOT



MAX. DOOR WEIGHT - 1000 LBS
 RIGHT HAND DOOR & PIVOT SHOWN.
 LEFT HAND OPPOSITE

NOTES:

1. INSTALLER MUST VERIFY THAT CENTERLINE OF THE TOP PIVOT POINT LINES UP WITH THE CENTERLINE OF THE BOTTOM PIVOT POINT.
2. BOTTOM PIVOT SET SHOULD BE MOUNTED FIRST IN MOST INSTALLATIONS.
3. HEEL EDGE OF DOOR MUST BE BEVELED 1/8" IN 2" AS SHOWN.
4. PIVOTS MFG. TO ACCEPT 1/4-20 X 3/4 FPHMS OR #14 X 1-1/2 FPHWS.
5. BOTTOM PIVOT HAS VERTICAL HEIGHT ADJUSTMENT AND WILL ACCOMMODATE 1/4" TO 3/4" DOOR CLEARANCE. DEPTH OF DOOR MORTISE DETERMINES CLEARANCE. 1/2" MAX. THRESHOLD. REINFORCING PER ANSI/SDI-100 RECOMMENDED FOR HOLLOW METAL DOORS & FRAMES.



IVES

**7230F PIVOT SET
 7230F BOTTOM PIVOT**



NOTE: DIMENSIONS IN () ARE IN MILLIMETERS

TEMPLATE NUMBER: **INST.7230_B PG2**

© 2015 Allegion
 INST_7230 Rev. 01/15-b