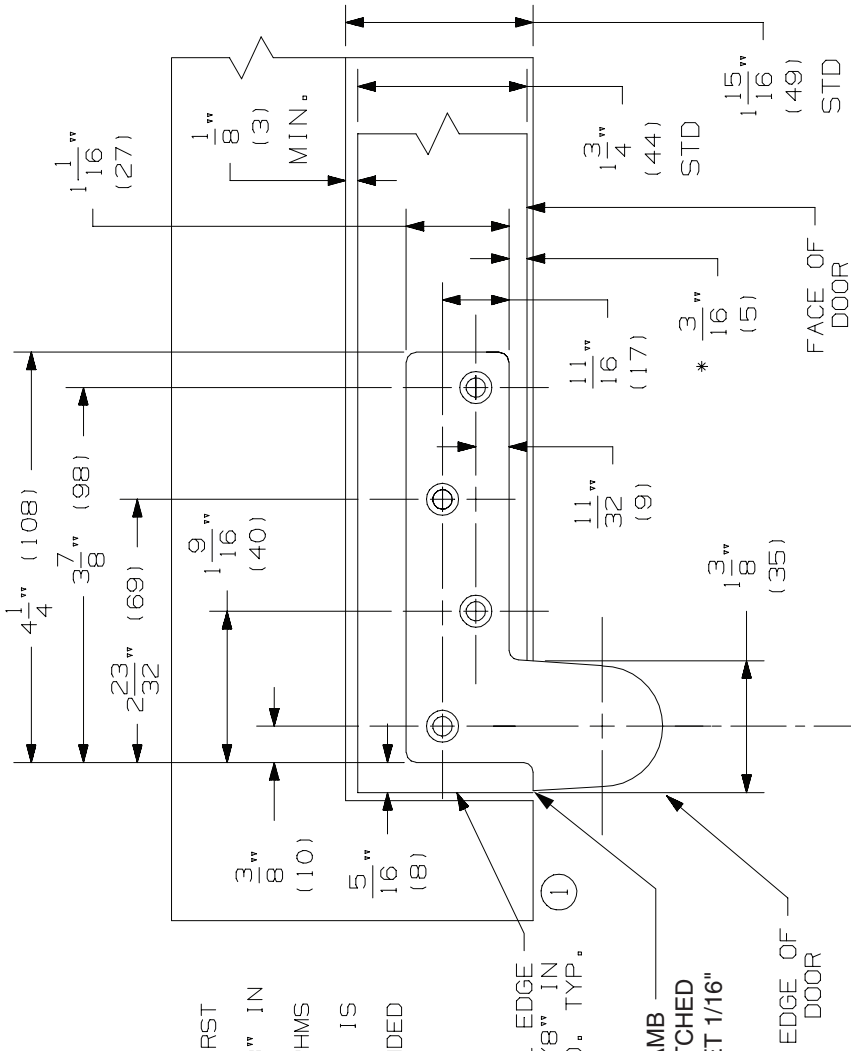


RIGHT HAND DOOR & PIVOT SHOWN.
LEFT HAND OPPOSITE

NOTES:

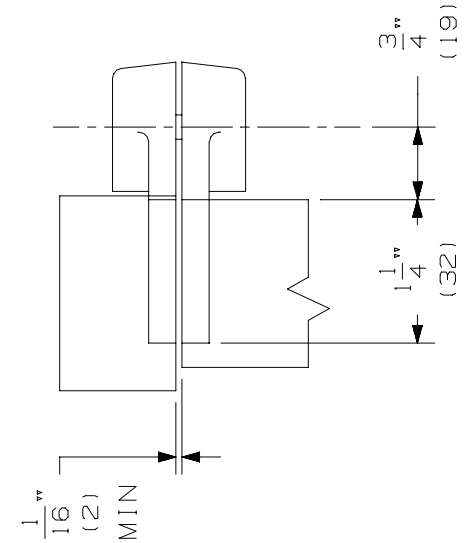
1. INSTALLER MUST VERIFY THAT CENTERLINE OF THE PIVOT POINT LINES UP WITH THE CENTERLINE OF BOTTOM PIVOT POINT.
2. BOTTOM PIVOT SET SHOULD BE MOUNTED FIRST IN MOST INSTALLATIONS.
3. HEEL EDGE OF DOOR MUST BE BEVELED 1/8" IN 2" AS SHOWN.
4. PIVOTS MFG. TO ACCEPT 1/4-20 X 3/4 FPHMS OR #14 X 1-1/2 FPHWS.
5. TEMPLATING FOR DOOR LEAF & FRAME LEAF IS IDENTICAL.
6. REINFORCING PER ANSI/SDI-100 RECOMMENDED FOR HOLLOW METAL DOORS & FRAMES.



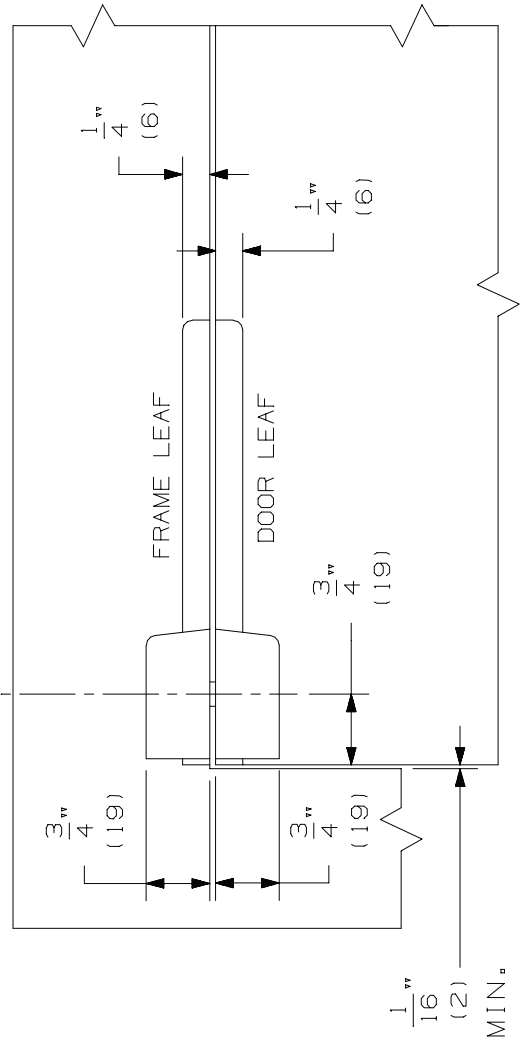
BEVEL HEEL EDGE
OF DOOR 1/8" IN
2" 5/16 RAD. TYP.

SECTION OF HEAD JAMB
MAY NEED TO BE NOTCHED
1/16" IF DOOR IS INSET 1/16"

EDGE OF
DOOR



* FRAME LEAF ALSO LOCATES FROM
FACE OF DOOR (SEE NOTE 5).



IVES 7227 & 7227F PIVOT SET
7227 & 7227F TOP PIVOT



NOTE: DIMENSIONS IN () ARE IN MILLIMETERS

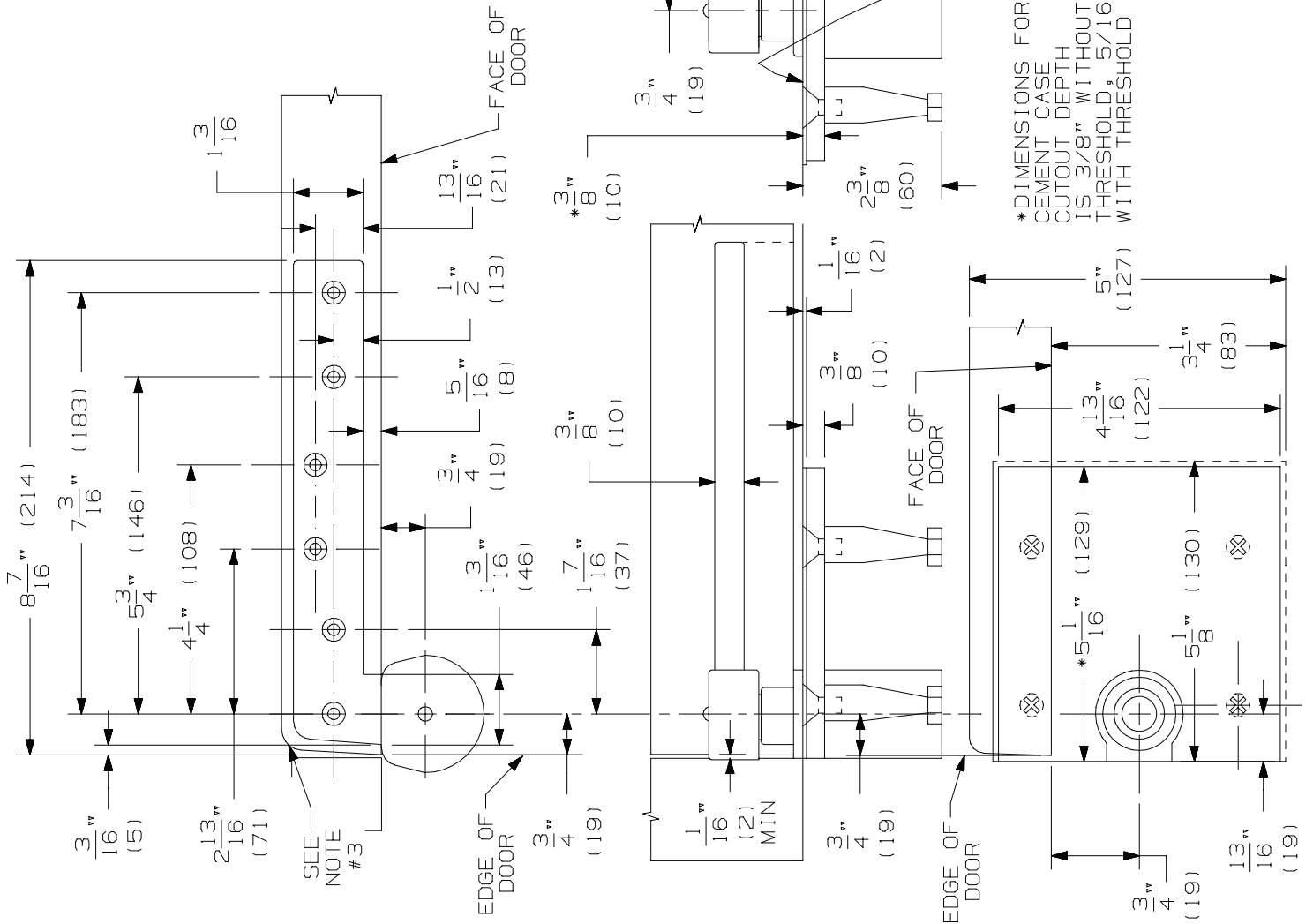
TEMPLATE
NUMBER:

INST.7227_c PG1

MAX. DOOR WEIGHT - 700 LBS
 RIGHT HAND DOOR & PIVOT SHOWN.
 LEFT HAND DOOR OPPOSITE

NOTES:

1. INSTALLER MUST VERIFY THAT CENTERLINE OF THE TOP PIVOT POINT LINES UP WITH THE CENTERLINE OF THE BOTTOM PIVOT POINT.
2. BOTTOM PIVOT SET SHOULD BE MOUNTED FIRST IN MOST INSTALLATIONS.
3. HEEL EDGE OF DOOR MUST BE BEVELED 1/8" IN 2" AS SHOWN.
4. PIVOTS MFG. TO ACCEPT 1/4-20 X 3/4 FPHMS OR #14 X 1-1/2 FPHWS.
5. BOTTOM PIVOT HAS VERTICAL HEIGHT ADJUSTMENT AND WILL ACCOMMODATE 3/16" TO 3/4" DOOR CLEARANCE. DEPTH OF DOOR MORTISE DETERMINES CLEARANCE 1/2" MAX. THRESHOLD.
6. REINFORCING PER ANSI/S3D1-100 RECOMMENDED FOR HOLLOW METAL DOORS & FRAMES.



IVES 7227 & 7227F PIVOT SET
 7227 & 7227F BOTTOM PIVOT



NOTE: DIMENSIONS IN () ARE IN MILLIMETERS

TEMPLATE NUMBER: INST.7227_c PG2

© 2015 Allegion
 INST_7227 Rev. 01/15-c