

RIGHT HAND DOOR & PIVOT SHOWN
LEFT HAND OPPOSITE

NOTES:

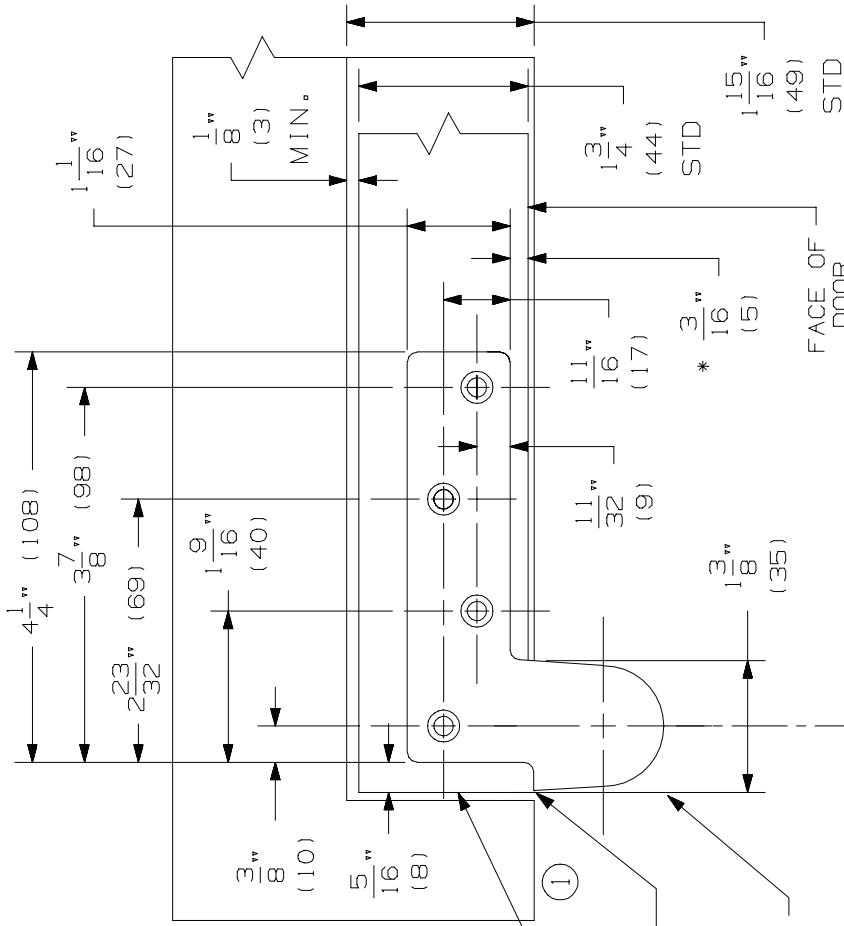
1. INSTALLER MUST VERIFY THAT CENTERLINE OF THE PIVOT POINT LINES UP WITH THE CENTERLINE OF BOTTOM PIVOT POINT.
2. BOTTOM PIVOT SET SHOULD BE MOUNTED FIRST IN MOST INSTALLATIONS.
3. HEEL EDGE OF DOOR MUST BE BEVELED 1/8" IN 2" AS SHOWN.
4. PIVOTS MFG. TO ACCEPT 1/4-20 X 3/4 FPHMS OR #14 X 1-1/2 FPHMS.
5. TEMPLATING FOR DOOR LEAF & FRAME LEAF IS IDENTICAL.
6. REINFORCING PER ANSI/SDI-100 RECOMMENDED FOR HOLLOW METAL DOORS & FRAMES.

BEVEL HEEL EDGE
OF DOOR 1/8" IN
2" 5/16 RAD. TYP.

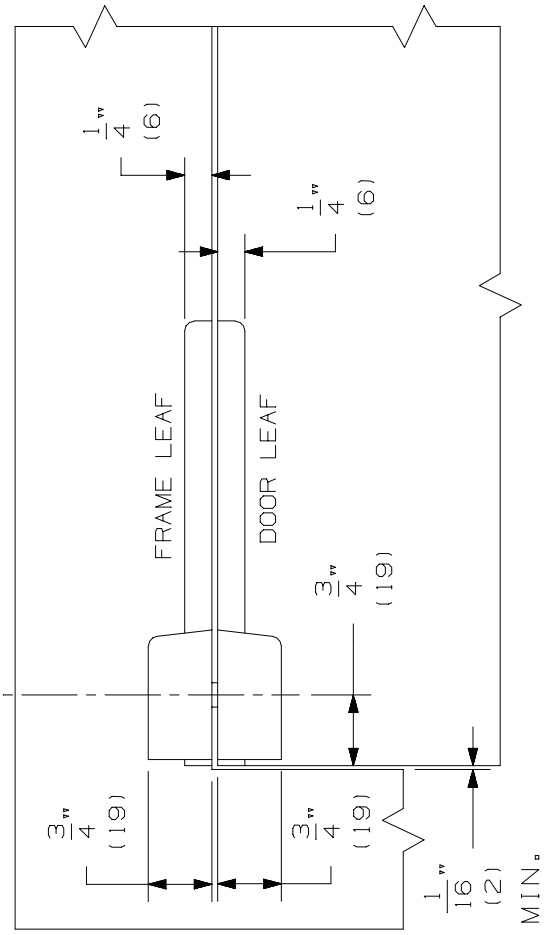
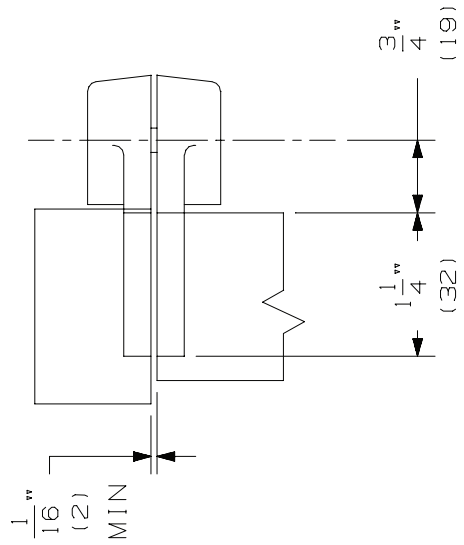
SECTION OF HEAD JAMB
MAY NEED TO BE NOTCHED
1/16" IF DOOR IS INSET 1/16"

EDGE OF
DOOR

FACE OF
DOOR



* FRAME LEAF ALSO LOCATES FROM
FACE OF DOOR (SEE NOTE 5).



IVES

**7222 PIVOT SET
7222 TOP PIVOT**

ALLEGION

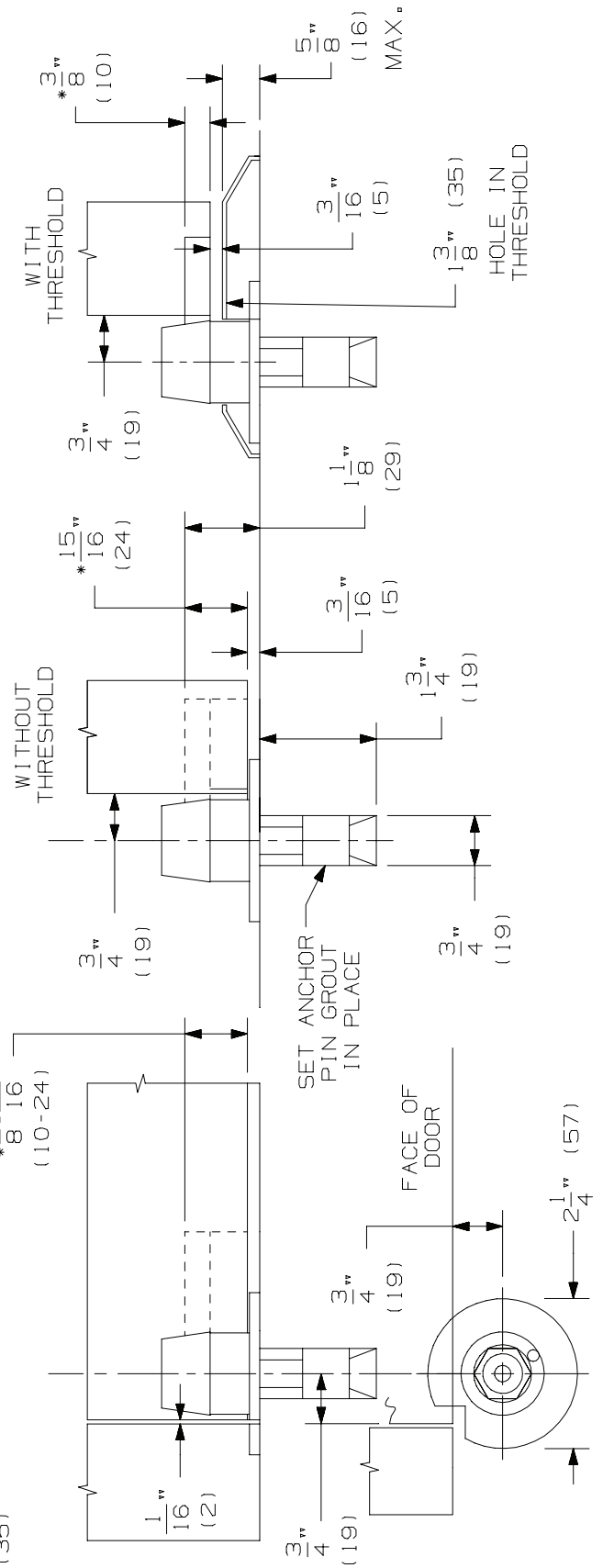
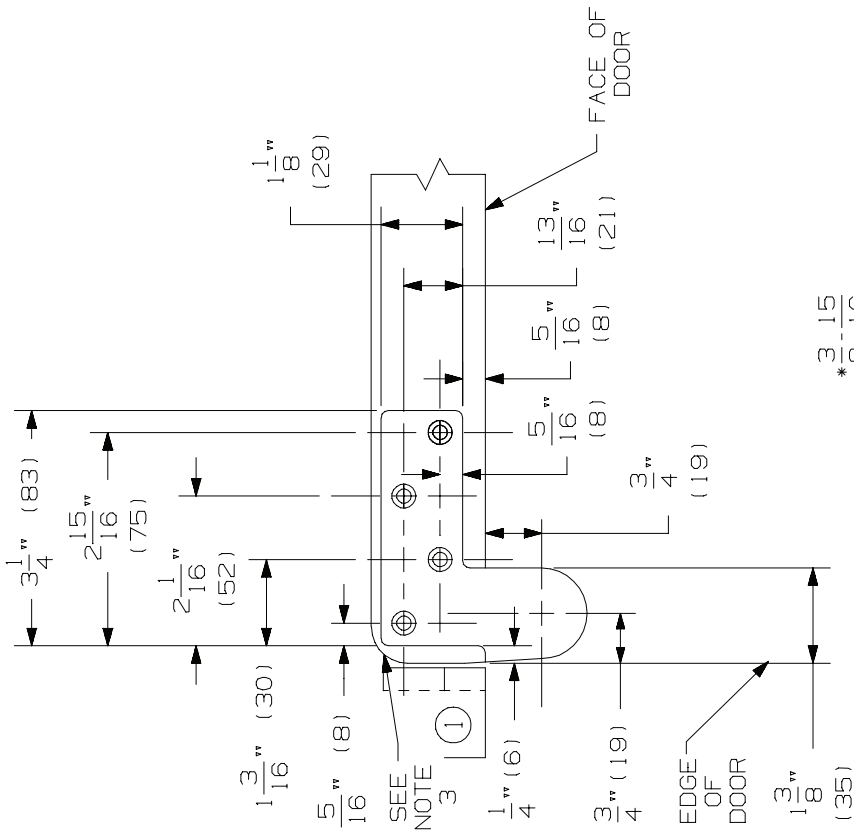
NOTE: DIMENSIONS IN () ARE IN MILLIMETERS

TEMPLATE NUMBER: **INST.7222_C PG1**

MAX. DOOR WEIGHT - 200 LBS
 RIGHT HAND DOOR & PIVOT SHOWN
 LEFT HAND OPPOSITE

NOTES:

1. INSTALLER MUST VERIFY THAT CENTERLINE OF THE TOP PIVOT POINT LINES UP WITH THE CENTERLINE OF THE BOTTOM PIVOT POINT.
2. BOTTOM PIVOT SET SHOULD BE MOUNTED FIRST IN MOST INSTALLATIONS.
3. HEEL EDGE OF DOOR MUST BE BEVELED 1/8" IN 2" AS SHOWN.
4. PIVOTS MFG. TO ACCEPT 1/4-20 X 3/4 FPHMS OR #14 X 1-1/2 FPHWS.
5. IF JAMB LEAF IS INSTALLED ON THE TOP OF THRESHOLD ALLOW FOR THRESHOLD HEIGHT WHEN PREPARING FRAME AND DOOR LEAFS.
6. BOTTOM PIVOT HAS VERTICAL HEIGHT ADJUSTMENT AND WILL ACCOMMODATE 3/16" TO 3/4" DOOR CLEARANCE. DEPTH OF DOOR MORTISE DETERMINES CLEARANCE. 5/8" MAX. THRESHOLD. REINFORCING PER ANSI/SDI-100 RECOMMENDED FOR HOLLOW METAL DOORS & FRAMES.



IVES

**7222 PIVOT SET
 7222 TOP PIVOT**



NOTE: DIMENSIONS IN () ARE IN MILLIMETERS

TEMPLATE NUMBER: **INST.7222_C PG2**

© 2015 Allegion
 INST_7222 Rev. 01/15-a