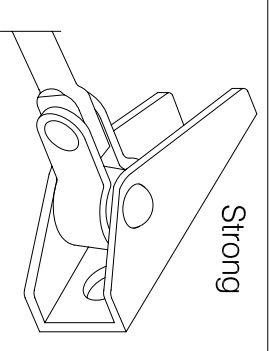
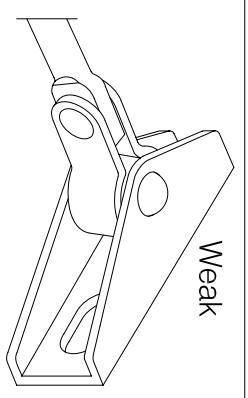
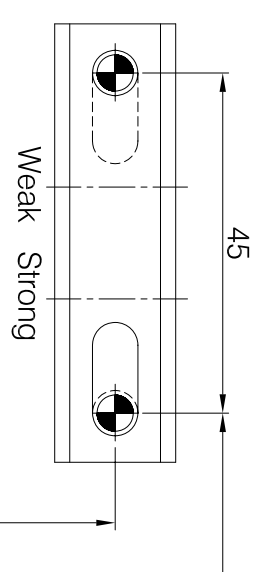
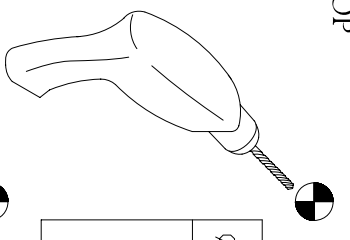


UNDERSIDE OF FRAME

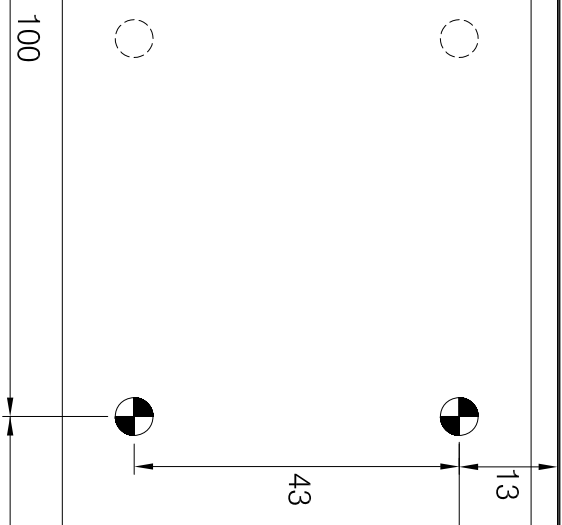


222

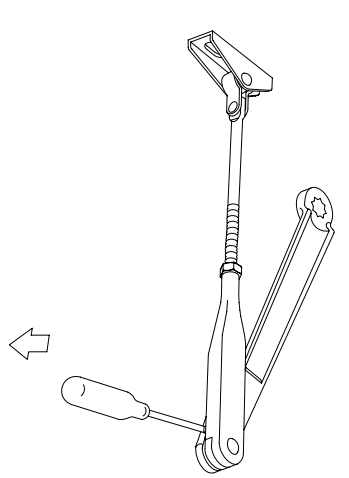
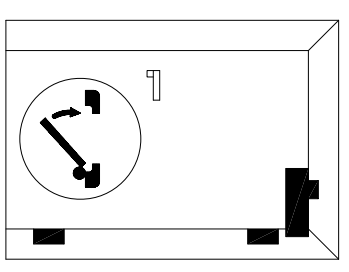
SET TO TOP OF DOOR



φ4.2	φ2.5
M5	

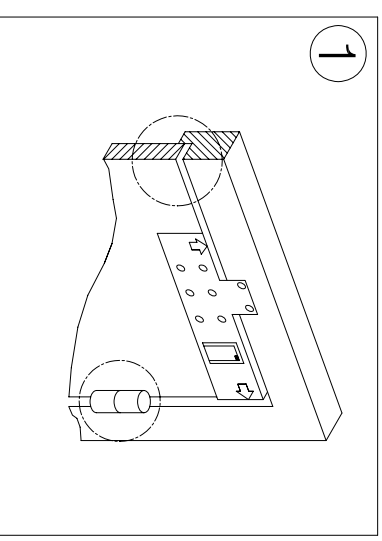


232

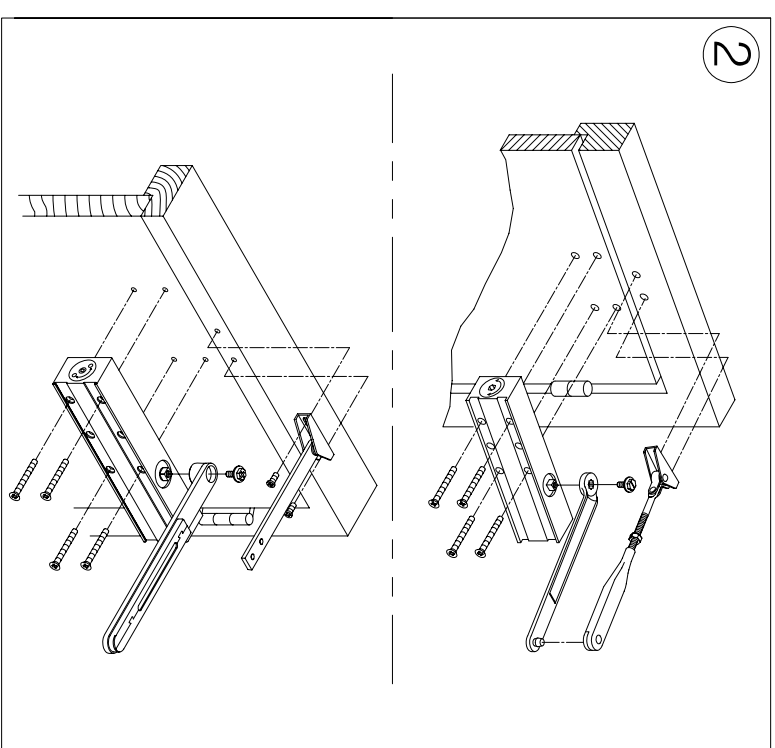


Hinge

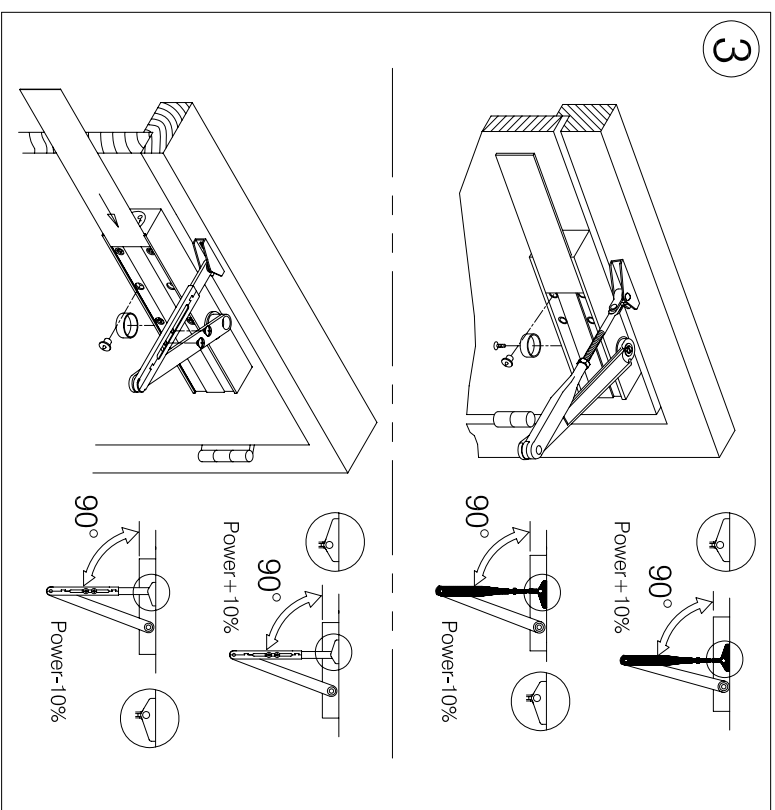
1



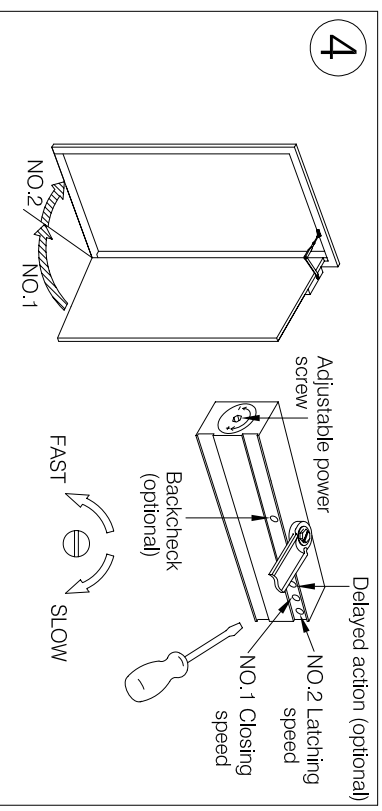
2



3



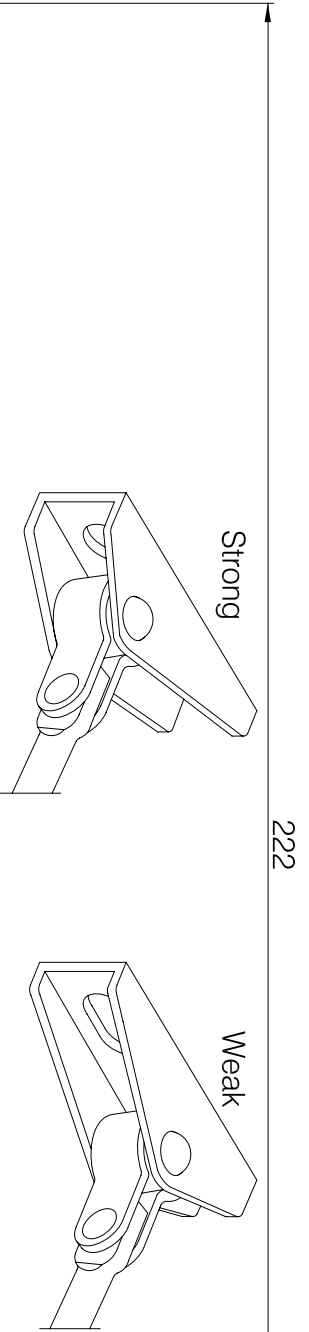
4



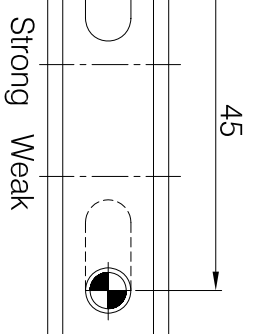
**SPRING POWER ADJUSTMENT**

ADJUST CLOSER SIZE ACCORDING TO CHART ON THE RIGHT  
 CC : COUNTERLOOKWISE  
 C : CLOCKWISE  
 \* : FACTORY PRE-SET

836 3-6 MODEL (STRONG)				836 2-5 MODEL (WEAK)			
NO.OF TURNS	DIRECTION	SIZE		NO.OF TURNS	DIRECTION	SIZE	
5	CC	3		5	CC	2	
*0	-	4		*0	-	3	
3	C	5		3	C	4	
8	C	6		8	C	5	



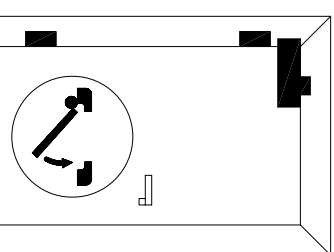
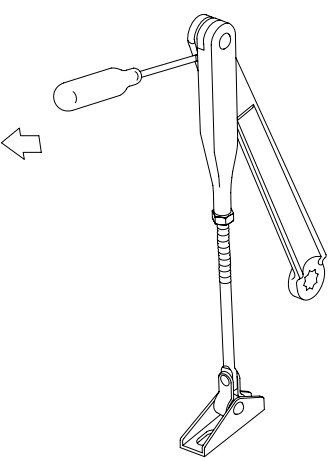
222



45

39

Hinge



43

13

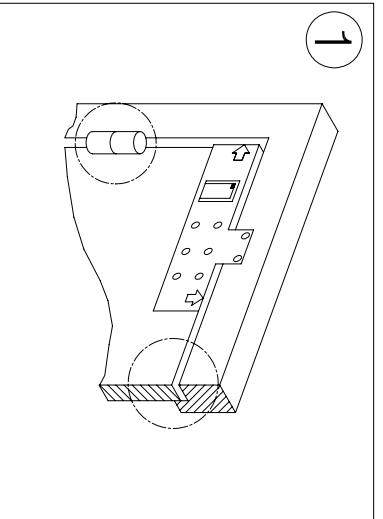
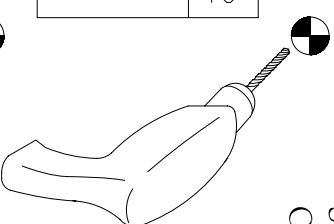
232

100

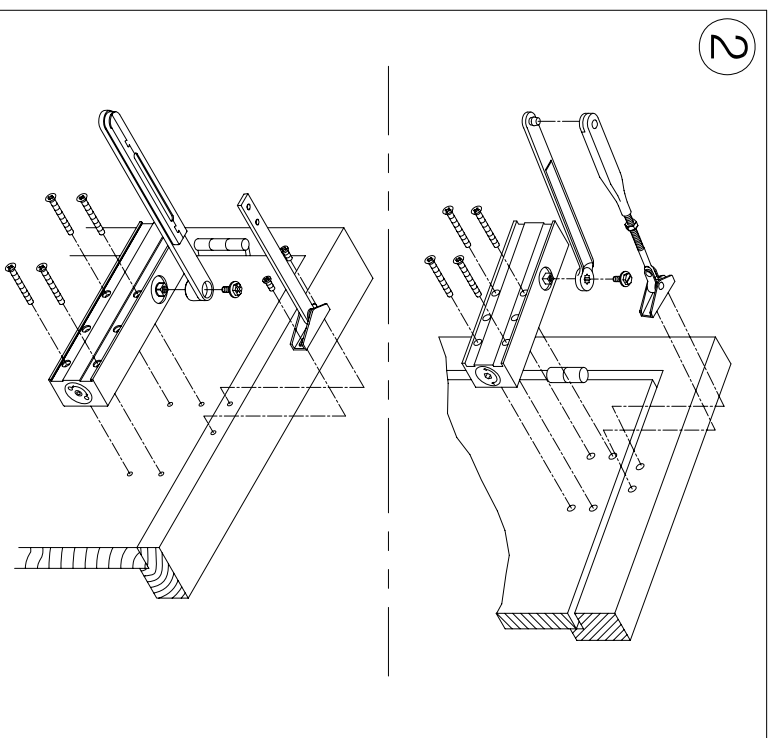
UNDERSIDE OF FRAME

SET TO TOP OF DOOR

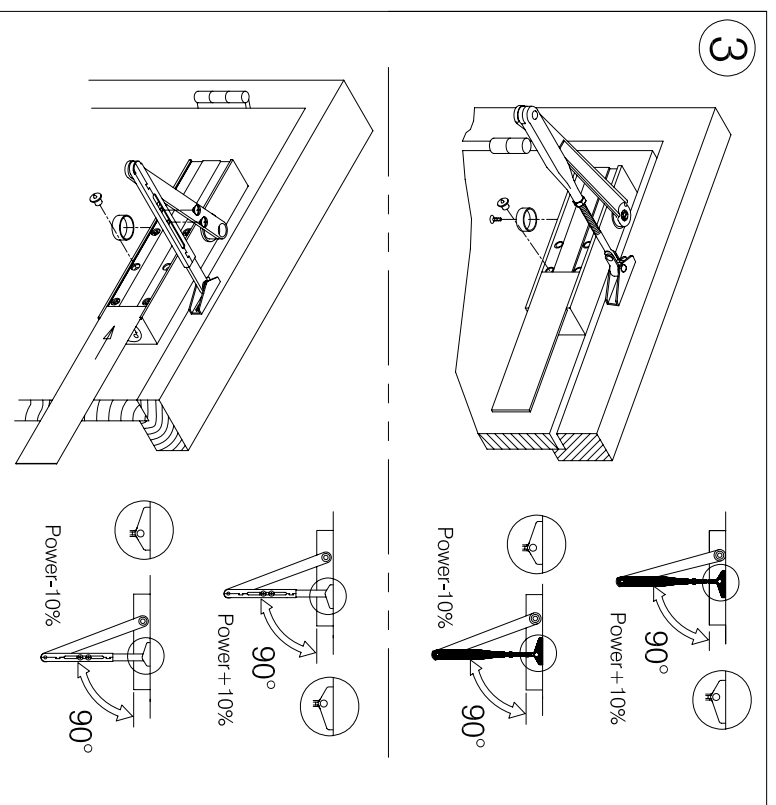
	Ø2.5	Ø4.2
	M5	



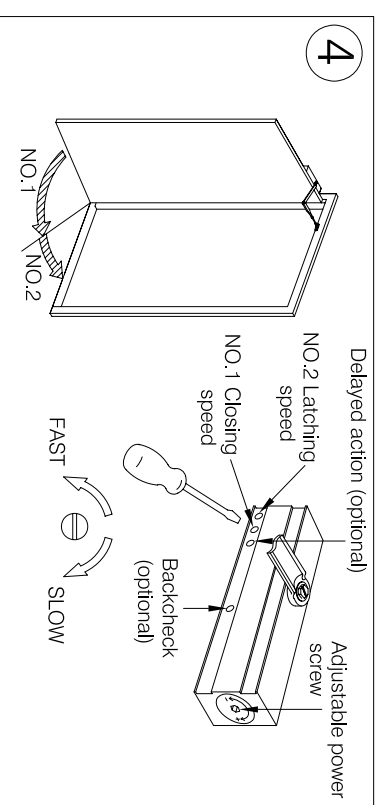
1



2



3



4

### SPRING POWER ADJUSTMENT

ADJUST CLOSER SIZE ACCORDING TO CHART ON THE RIGHT

CC : COUNTERCLOCKWISE

C : CLOCKWISE

\* : FACTORY PRE-SET

836 3-6 MODEL (STRONG)				836 2-5 MODEL (WEAK)			
NO.OF TURNS	DIRECTION	SIZE		NO.OF TURNS	DIRECTION	SIZE	
5	CC	3		5	CC	2	
*0	-	4		*0	-	3	
3	C	5		3	C	4	
8	C	6		8	C	5	