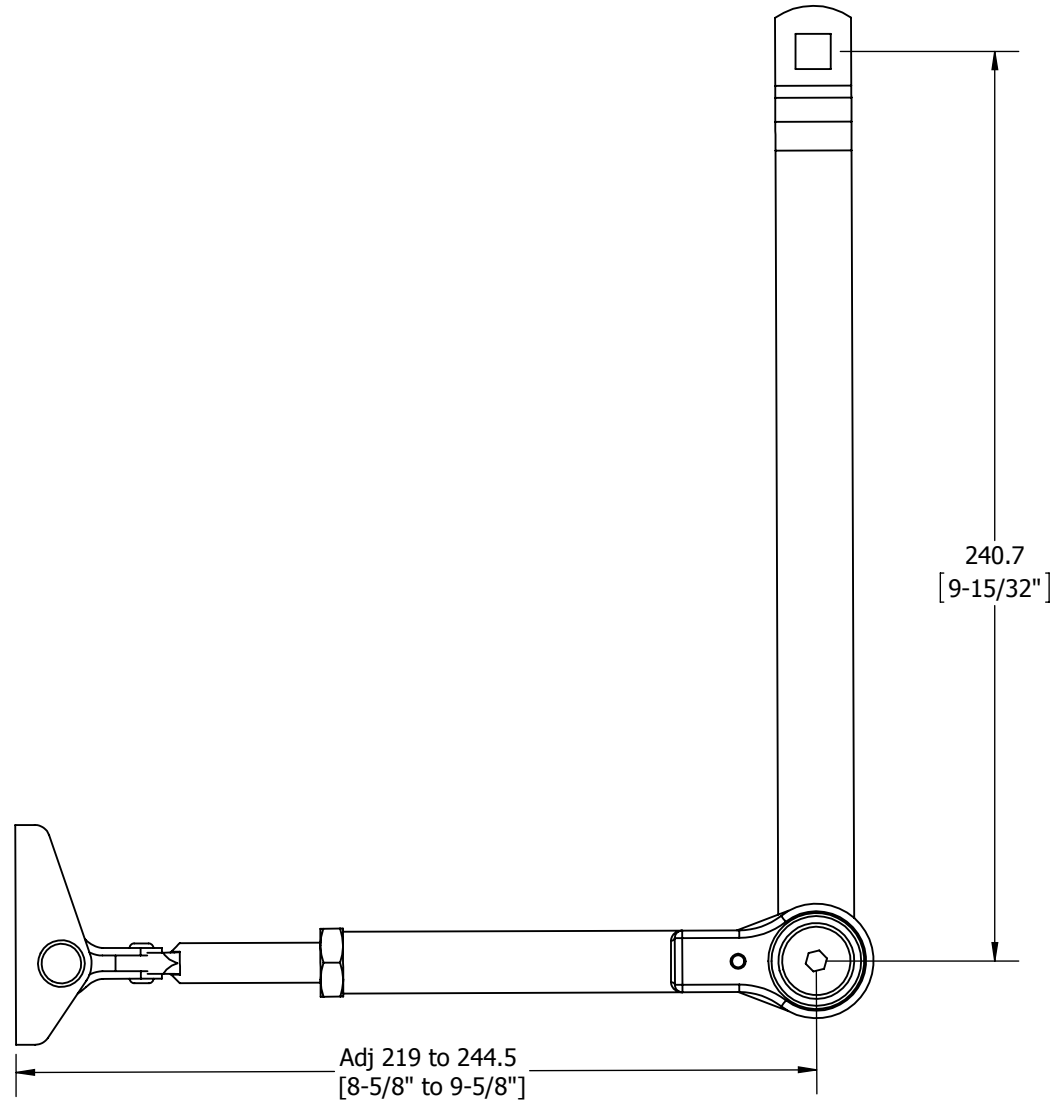
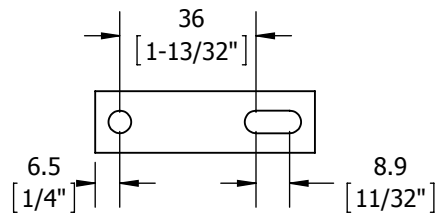



REV.	DESCRIPTION	ECO NO.	DATE
-		CDP12003	4/25/2012



 <p>PROPRIETARY & CONFIDENTIAL THE INFORMATION CONTAINED IN THIS DRAWING IS THE SOLE PROPERTY OF HAGER COMPANIES. ANY REPRODUCTION IN PART OR AS A WHOLE WITHOUT THE WRITTEN PERMISSION OF HAGER COMPANIES IS PROHIBITED.</p>	<p>HAGER RESERVES THE RIGHT TO MAKE DESIGN CHANGES WITHOUT NOTICE. CALL HAGER ENGINEERING AT 1-800-325-9995 FOR THE LATEST REVISION DATE OF TEMPLATE.</p>	DRAWN	RCT	4/25/2012	<p>2-659-0149 5800X/ 5800R HOLD OPEN ARM</p>			
		ENG. APPR.	-	-				
		MATERIAL	Q.A.			SIZE	DWG. NO.	REV.
		FINISH	<p>TOLERANCES: FRACTIONAL: ±0.015" ANGULAR: MACH: ±1° BEND: ±1° TWO PLACE DECIMAL: ±0.01" THREE PLACE DECIMAL: ±0.004"</p>			B	S-CL00537	-
DO NOT SCALE DRAWING		SCALE:1:4	WEIGHT:		SHEET 1 OF 1			