

# VON DUPRIN® INSTALLATION INSTRUCTIONS

## RX/RX-LC/S1 Switch Retrofit Kit

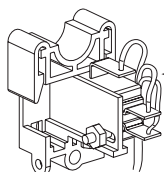
This kit includes the following parts:

**RX** { This switch is intended for signaling purposes only and is rated for a maximum 2 ampere resistive load at 24VDC/AC. Use with inductive or capacitive loads (magnetic locks or solenoid devices) derates the capacity of the switch. Consult the factory for assistance.

**RX-LC** { This switch is intended for systems using low current signals. The switch is rated for a maximum of 50mA. Consult the factory for assistance.



8-18 X 3/8" Flat Head Screw (2)



Switch Assembly



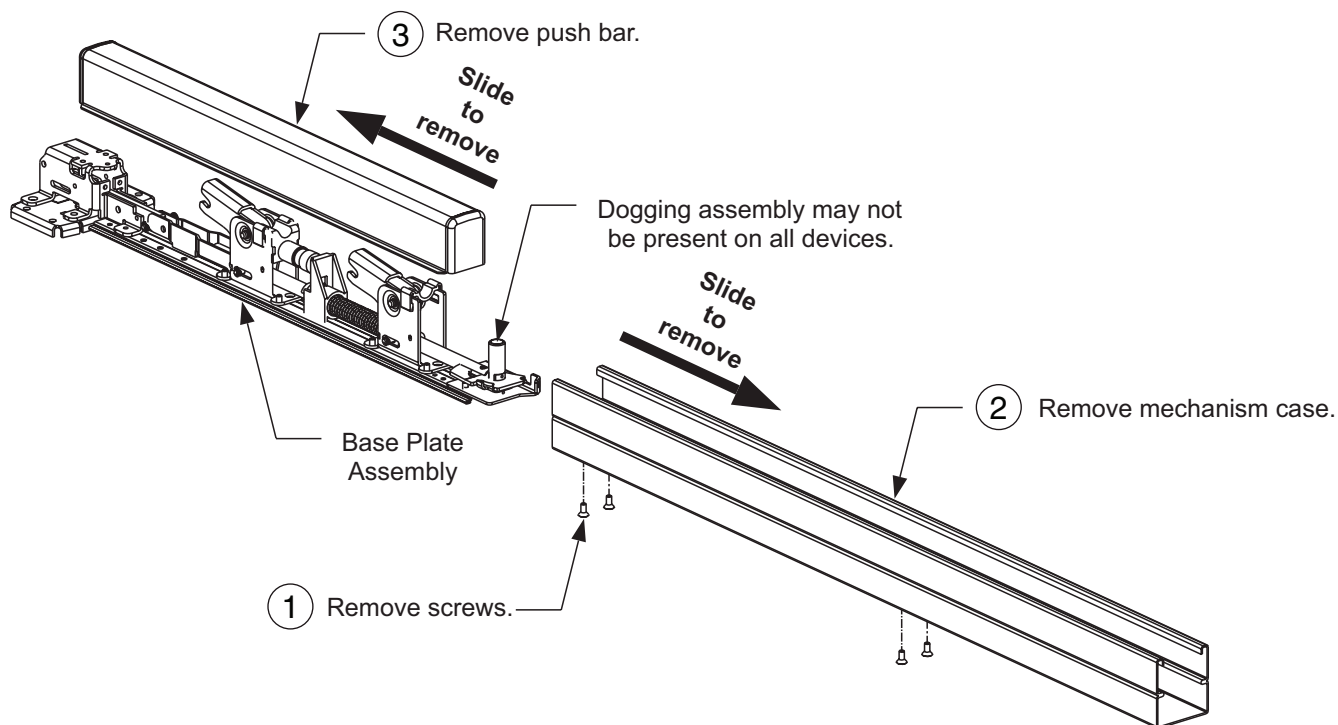
Cable Tie 1.5"



Nylon Fastener

### Step 1 Disassemble the device. (Remove from door if mounted.)

22 Device

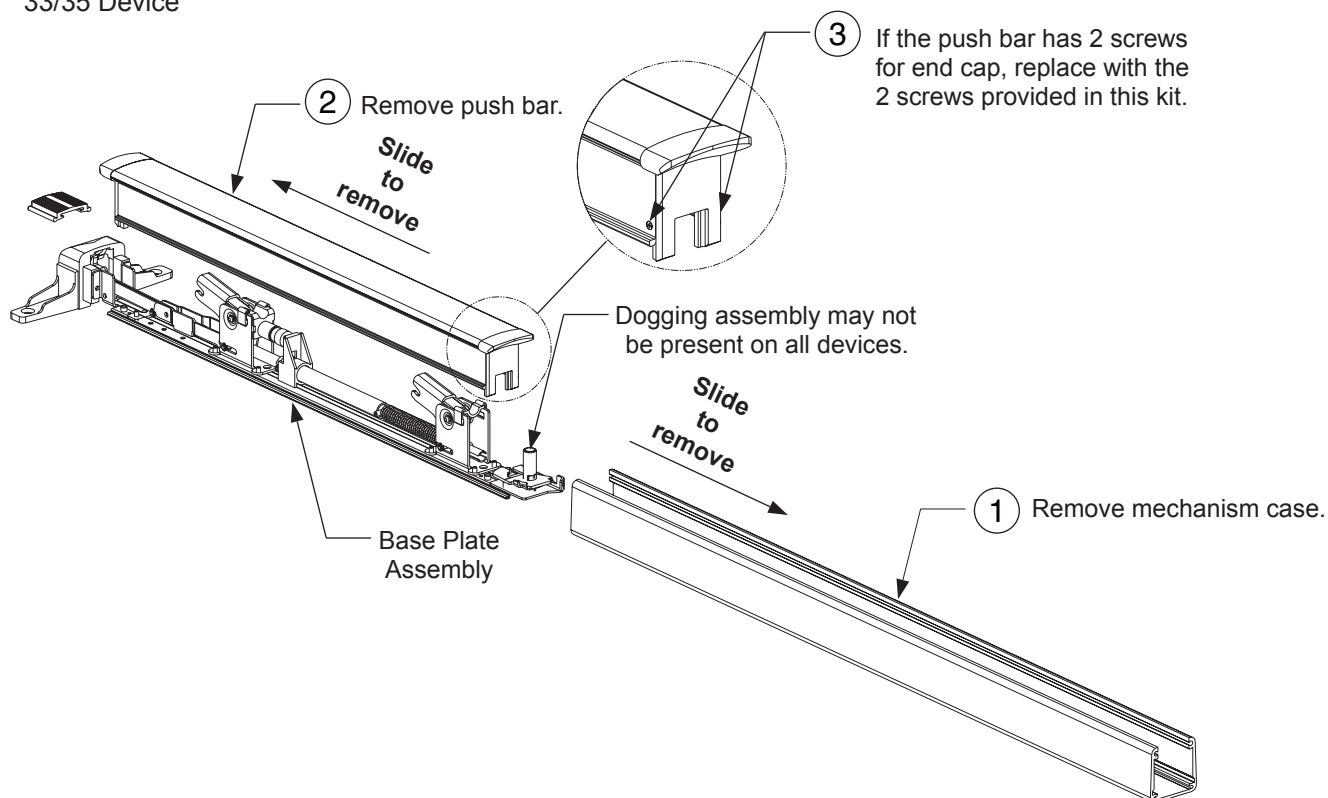


941038-00

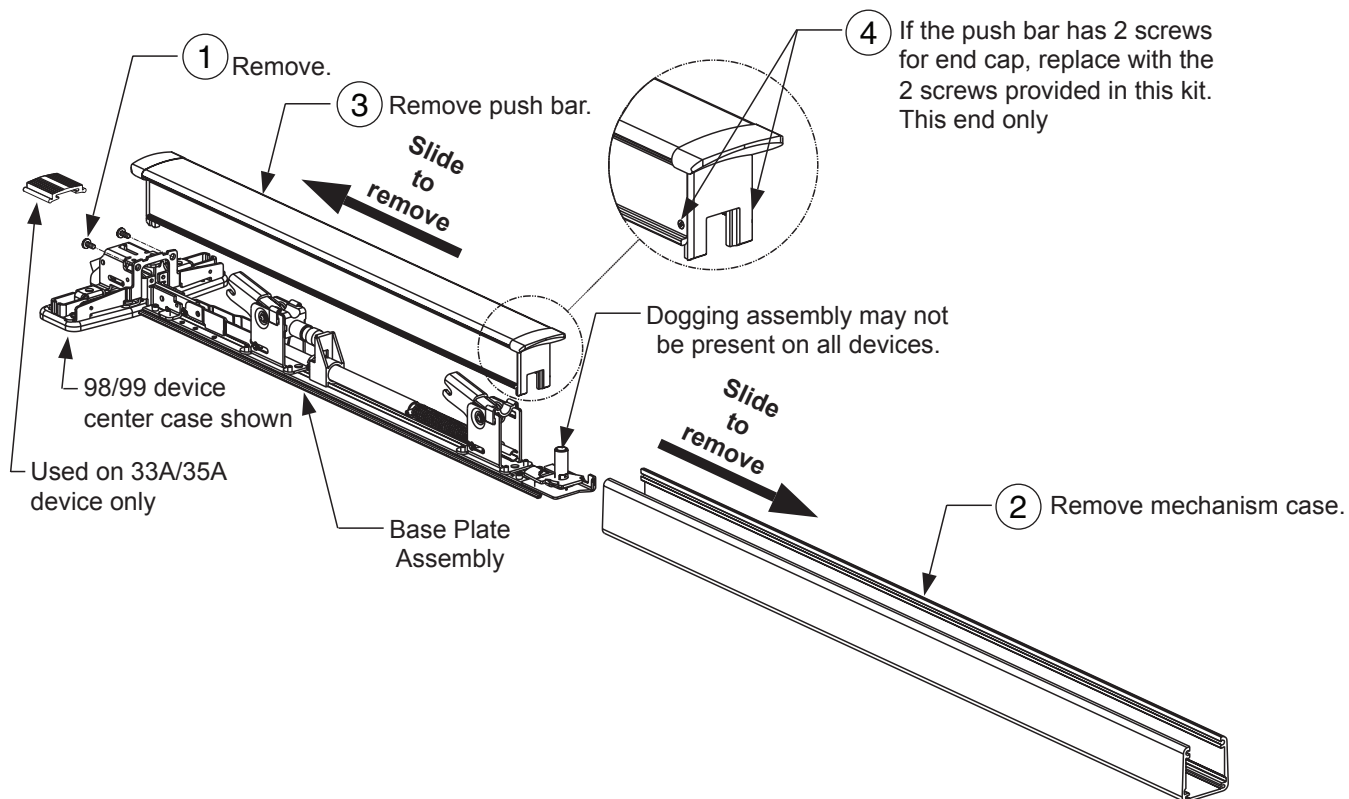
**IR** Ingersoll Rand  
Security Technologies

# Step 1 continued Disassemble the device. (Remove from door if mounted.)

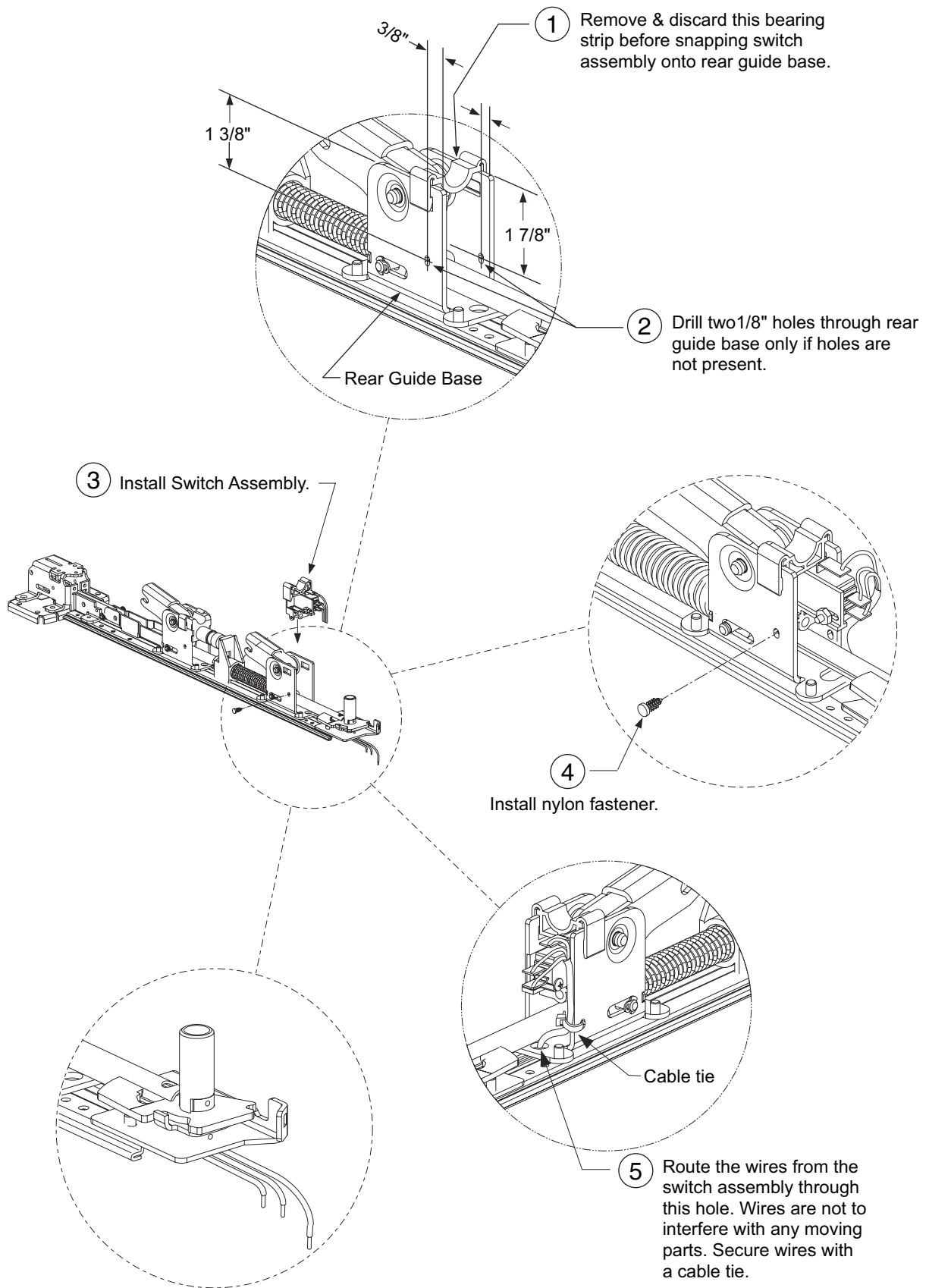
33/35 Device



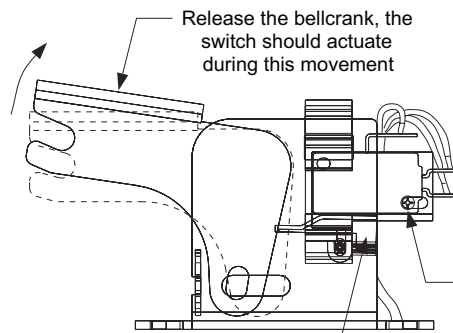
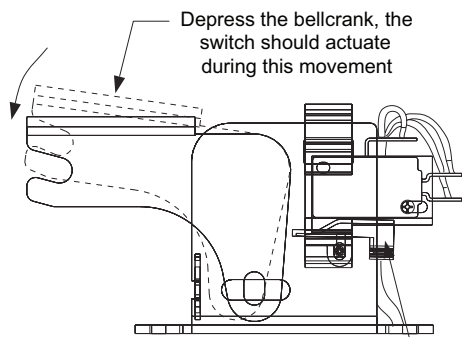
33A/35A & 98/99 Device



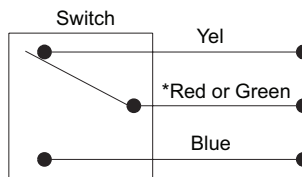
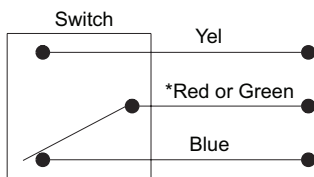
## Step 2 Install Switch



### Step 3 Check the switch for proper actuation.



If adjustment is needed, loosen screw in the side of the switch assembly and slide switch forward or backward as necessary.



\*Red = 2A  
Green = 50mA

### Step 4 Prepare door for device wiring.

