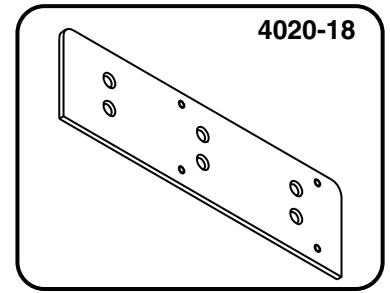
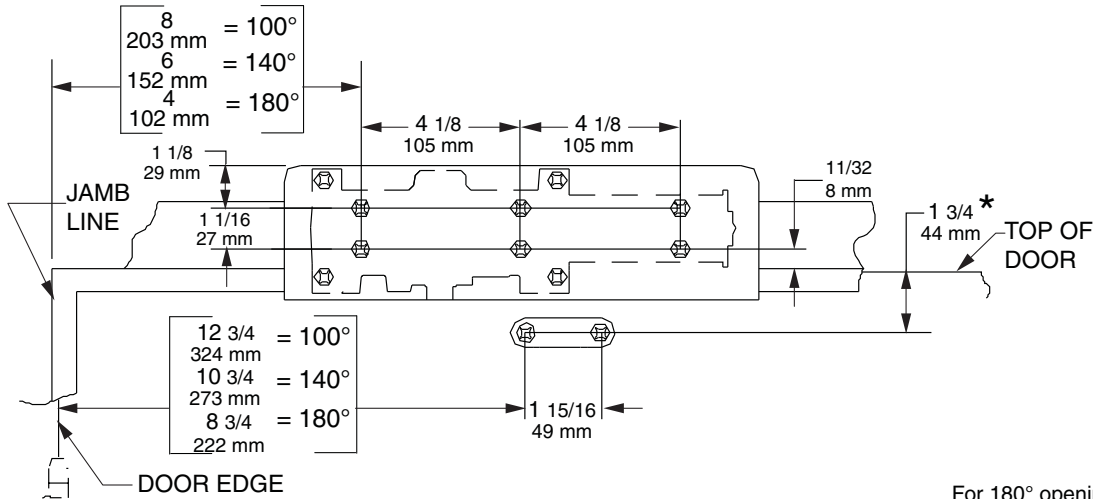


**4020 PUSH SIDE (TOP JAMB) DROP PLATE
PERMITS 180° MAXIMUM OPENING**

**PUSH SIDE MOUNT ON:
4020-18 DROP PLATE**



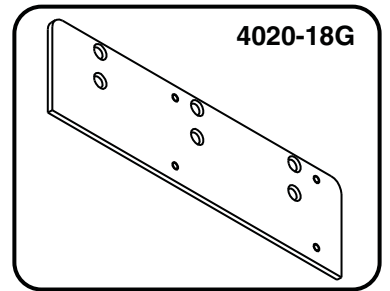
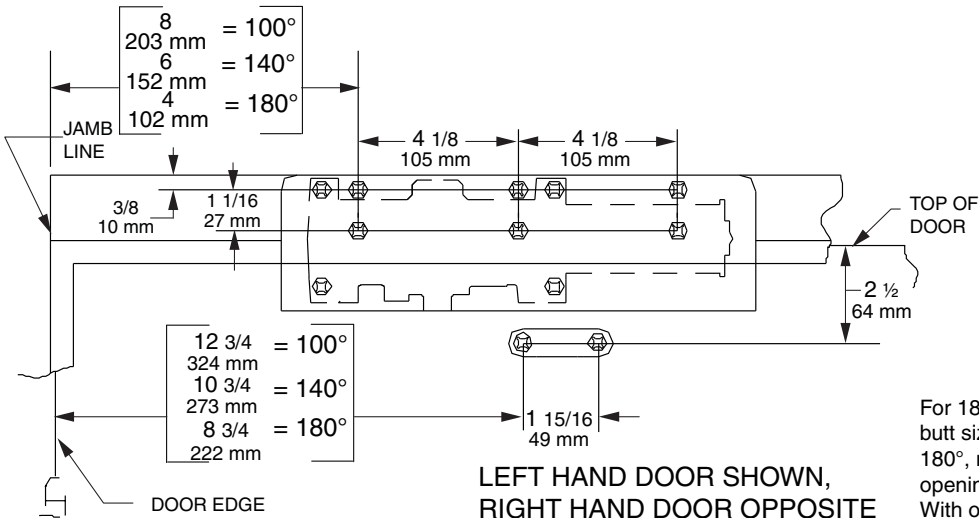
LEFT HAND DOOR SHOWN,
RIGHT HAND DOOR OPPOSITE

* MAY BE 1 3/8" FOR
NARROW RAIL DOORS

For 180° opening, frame width cannot exceed 4 1/2 max. butt size 5". For reveals up to 2 9/16 regular arm permits 180°, max. butt size 5". For reveals 2 9/16 to 4 13/16 max. opening is 140°, regular, H-90 & F.L. arms.

**4020 PUSH SIDE (TOP JAMB) DROP PLATE
PERMITS 180° MAXIMUM OPENING**

**PUSH SIDE MOUNT ON:
4020-18G DROP PLATE**

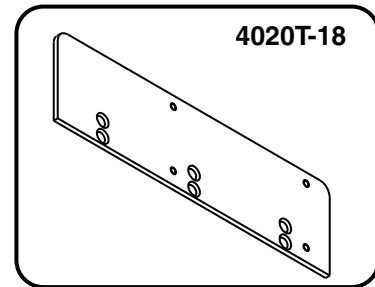
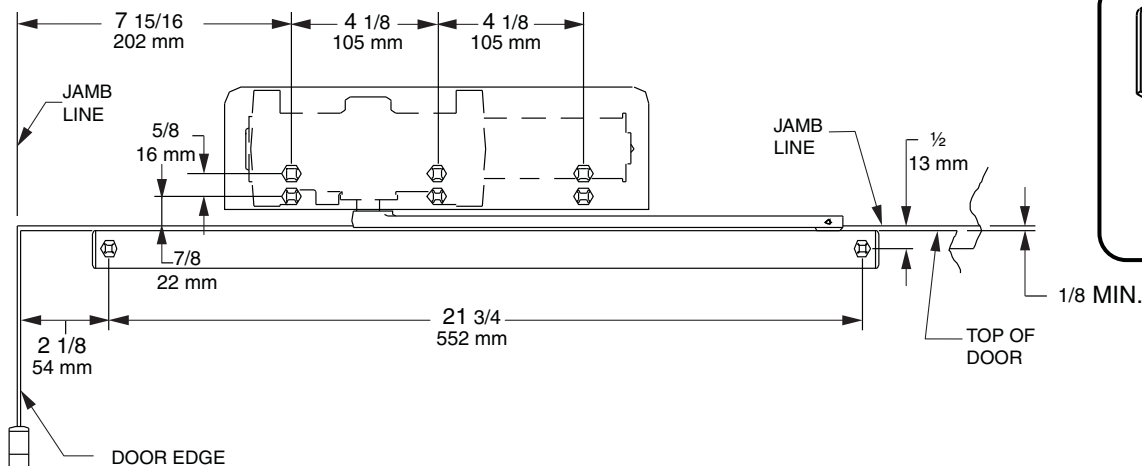


LEFT HAND DOOR SHOWN,
RIGHT HAND DOOR OPPOSITE

For 180° opening, frame width cannot exceed 4 1/2 max. butt size 5". For reveals up to 2 9/16 regular arm permits 180°, max. butt size 5". For reveals 2 9/16 to 4 13/16 max. opening is 140°, regular, H-90 & F.L. arms. With overhead stops, shoe must be lowered to clear holder.

**4020T PULL SIDE (TOP JAMB) DROP PLATE
PERMITS 180° MAXIMUM OPENING**

**PULL SIDE MOUNT ON:
4020T-18 DROP PLATE**



RIGHT HAND DOOR SHOWN,
LEFT HAND DOOR OPPOSITE

LCN[®]
1-800-526-2400