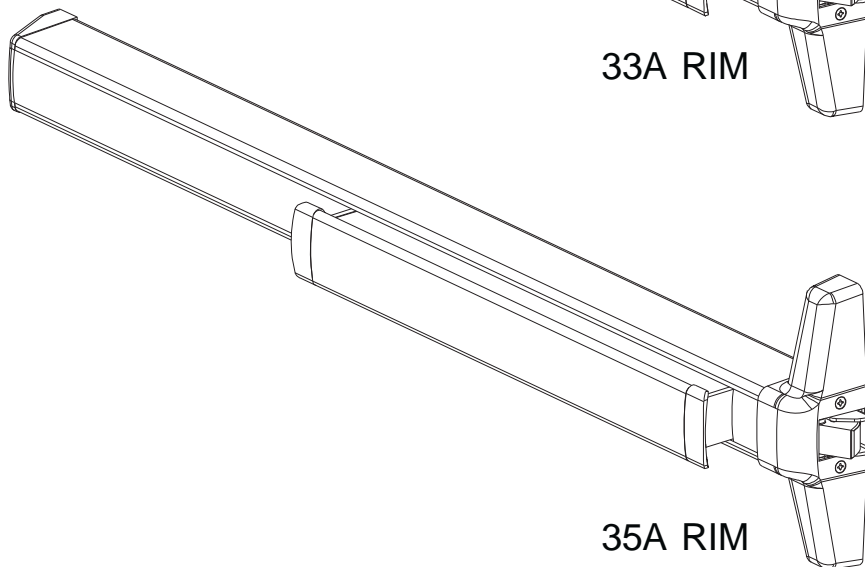
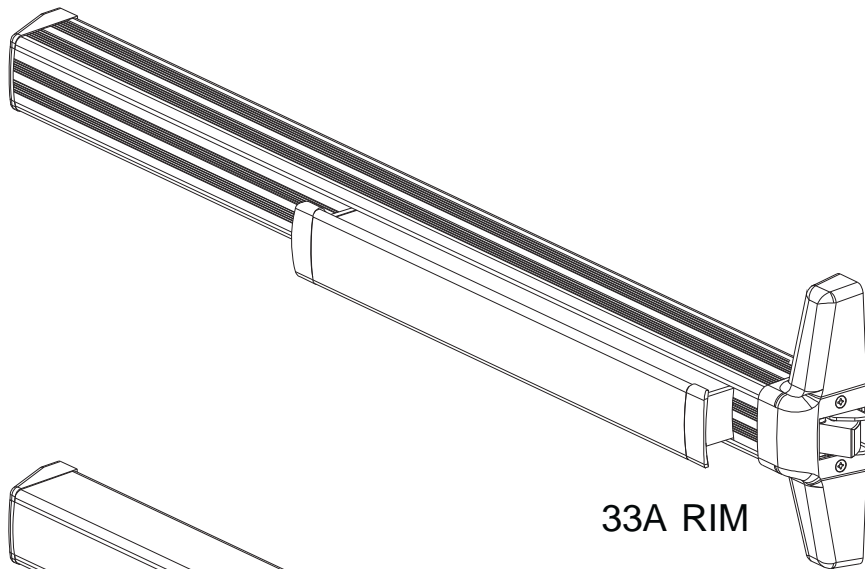


VON DUPRIN®

PARTS MANUAL

MAY 2013

33A/35A SERIES RIM EXIT DEVICES



PM33A35A_Rim_E
VD-4049

 **Ingersoll Rand**
Security Technologies

Copyright © 2013 Ingersoll Rand

INDEX

33A/35A Rim Panic Devices	
Basic Device	4-5
Baseplate Assembly	6
Variations of the Basic Device	
CD (Cylinder Dogging)	4
HD-EL (Hex Dogging/Electric Latch Retraction)	7
EL (Electric Latch Retraction)	8
SS (Signal Switch)	8
CX (Chexit)	9
RX (Request to Exit)	10-11
LX (Latch Bolt Monitoring)	10-11
ALK (Exit Alarm Kit)	12
General Information	
Introduction	2
How to Order	2
Part Number Changes	2
Finishes	3
Outside Trim Functions	3
Strikes	3

INTRODUCTION

This manual contains a listing of replaceable parts and assemblies for the 33A/35A Rim Panic Exit Hardware Devices. (33A Series and 35A Series devices are almost identical. The 33A Series has a grooved case; the 35A Series has a smooth case.)

HOW TO ORDER

Some parts are sold separately. Other items are available as part of a kit or multiple quantity package. For the best possible service when ordering replacement parts or assemblies, please provide the following information:

- Part number or assembly number
- Description
- Quantity needed
- Finish desired (if available finished)
- Date of original purchase (if known)

To find out the name of your local Von Duprin distributor or sales representative, contact:

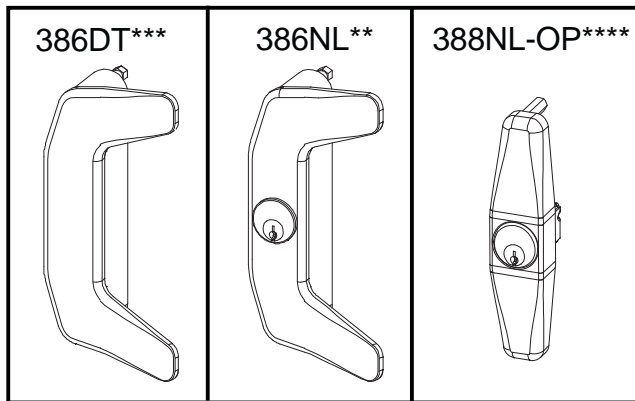
Von Duprin Division
Ingersoll Rand Company
2720 Tobey Drive
Indianapolis, IN 46219
Phone: 877-671-7011
Fax: 800-999-0328

PART NUMBER CHANGES

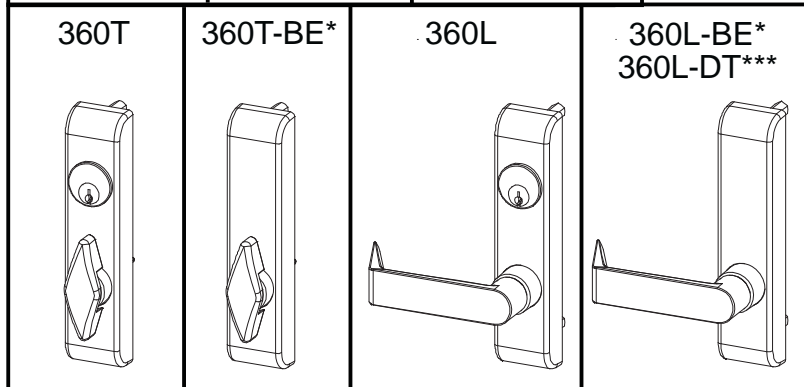
This manual reflects the product as sold in May 2013. Because of changes to the product and/or manufacturing process, part numbers can change.

OUTSIDE TRIM FUNCTIONS

33A/35A SERIES FINISHES

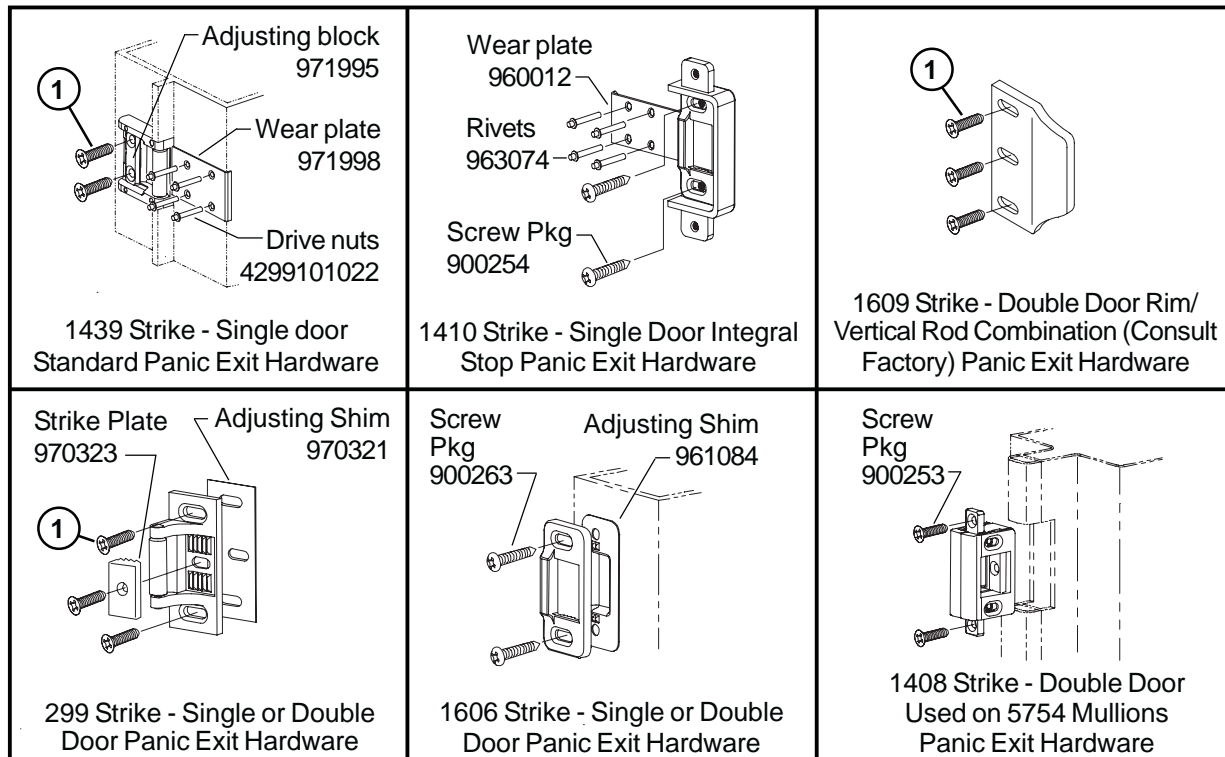


U.S. Std Reference	BHMA Reference	Description
US3	605	Polished Brass
US4	606	Dull Brass
US10	612	Dull Bronze
US15	619	Satin Nickel
US26	625	Polished Chrome
US26D	626	Dull Chrome
US28	628	Anodized Alum. (Clear)
313AN	710	Anodized Alum. (313) Dark Bronze
315AN	711	Anodized Alum. (Black)



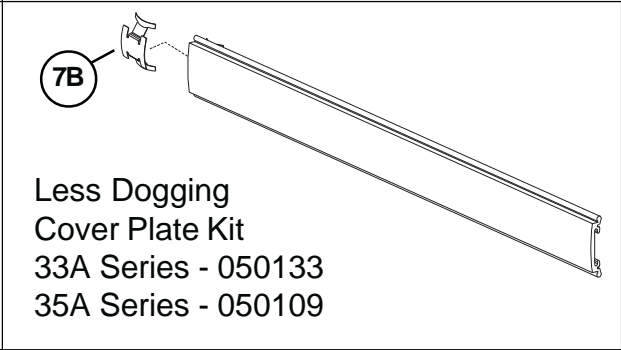
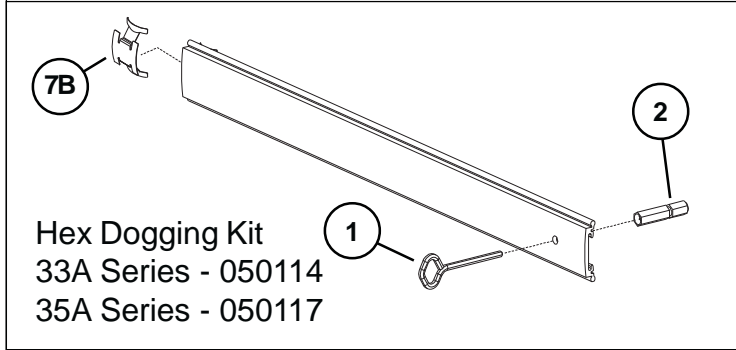
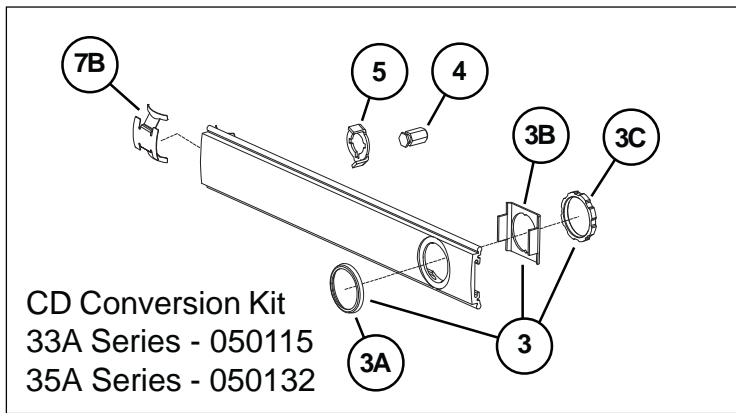
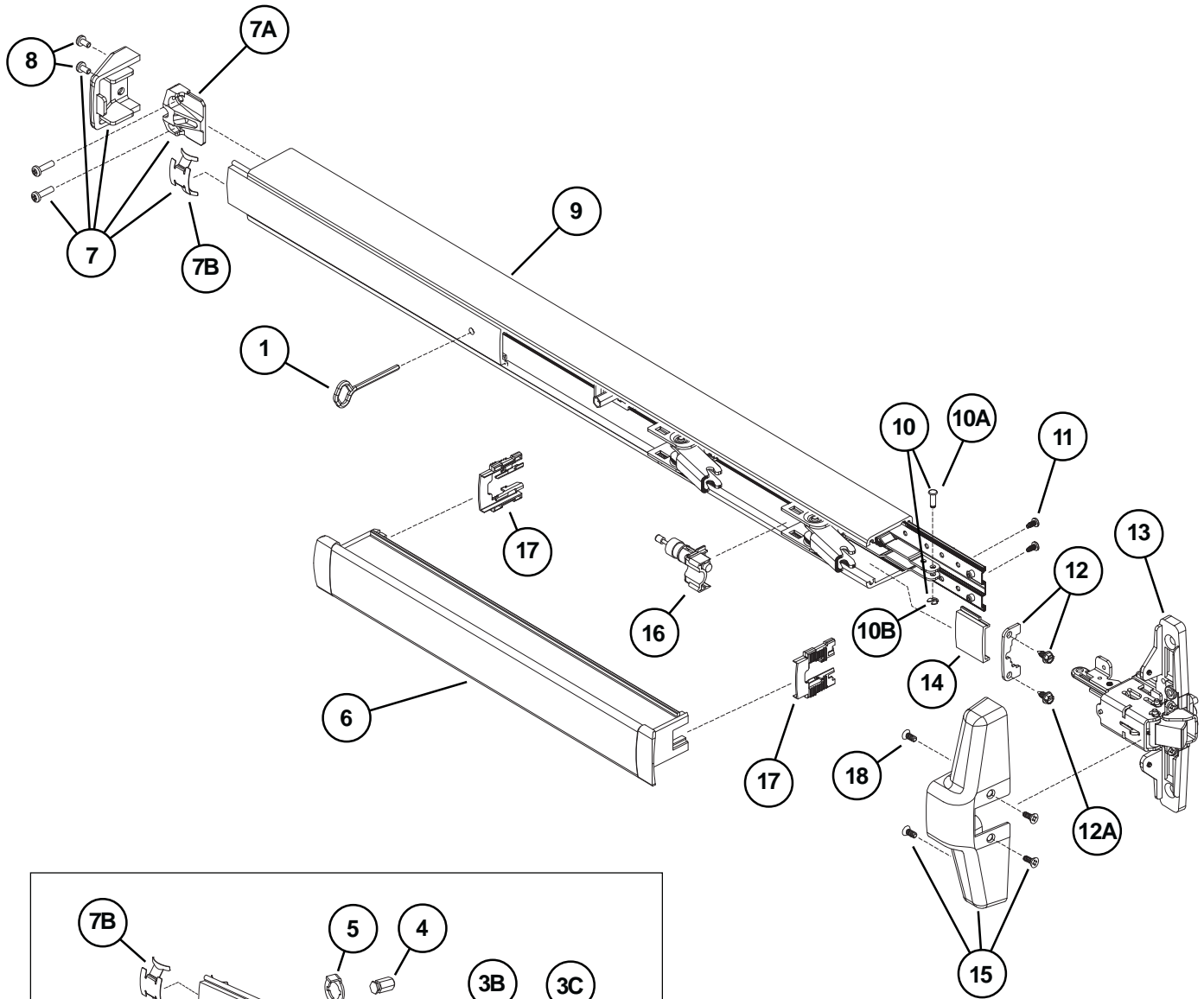
- * "BE" (Blank Escutcheon) no cylinder used - lever always active
- ** "NL" (Night Latch) rigid lever - key retracts latch bolt
- *** "DT" (Dummy Trim) rigid lever for pull operation
- **** "NL-OP" (Optional Pull) needs to be added

STRIKES



- ① Metal Door Screw Package PKGSRV.1023 (Pkg of 10)
Wood Door Screw 964291 (Qty of 1)

33A/35A RIM PANIC DEVICE



33A/35A RIM PANIC DEVICE

Item No.	Quantity	Part No.	Description	Finish
	1	900619	33A/35A Series Mounting Pkg. (1-3/4 & 2-1/4)	
1	1	090085	227 Dog Key 5/32" Hex (Pkg of 10)	
1	1	090005	227 Dog Key 5/32" Hex (Pkg of 2)	
2	1	090040	Hex Dog Shaft (Pkg of 2)	
3	1	107813	Cylinder Mounting Pkg	X
3A	1	050525	Cylinder Collar	X
3B	1	050490	Cylinder Locating Washer - CD/SS	
3C	1	050526	Cylinder Locknut	
4	1	090046	CD Dogging Plug (Pkg of 2)	
5	1	090045	CD Actuator Arm (Pkg of 2)	
6	1	*PBKIT	33A/35A Series Push Bar Retrofit Kit - 3' Door	X
6	1	*PBKIT	33A/35A Series Push Bar Retrofit Kit - 4' Door	X
7	1	050014	33A/35A Series Series End Cap Kit	X
7A	1	050524	Impact Resistant End Cap Bracket	
7B	1	090036	Cover Plate Anti-rattle Spring (Pkg of 10)	
8	1	900597	Device End Cap and C/Case Screw Pkg.	X
9	1	050486	33A Series Mechanism Case - 3' Door	X
9	1	050487	33A Series Mechanism Case - 4' Door	X
9	1	050488	35A Series Mechanism Case - 3' Door	X
9	1	050489	35A Series Mechanism Case - 4' Door	X
10	1	050529	Control Link Pin & Ret. Ring	
10A	1	090031	Series Control Link Pin	
10B	1	090107	Retaining Ring (Pkg of 10)	
11	2	090037	#8-32 x 3/8" Baseplate Screw (Pkg of 10)	
12	1	050530	Mechanism Case Bracket Kit	
12A	2	090073	Mechanism Case Bracket Screw (Pkg of 10)	
13**	1	050403	33A/35A Rim Center Case Less Cover	
14	1	050474	33A Series Cover Plate - C. Case Side	X
14	1	050475	35A Series Cover Plate - C. Case Side	X
15	1	050483	33A/35A Rim Center Case Cover Kit	X
16	1	050491	Shock Absorber & Holder Assembly	
17	2	090049	Push Bar Guide (Pkg of 10)	
18	4	900892	Center Case Cover Screws (Pkg of 4)	X

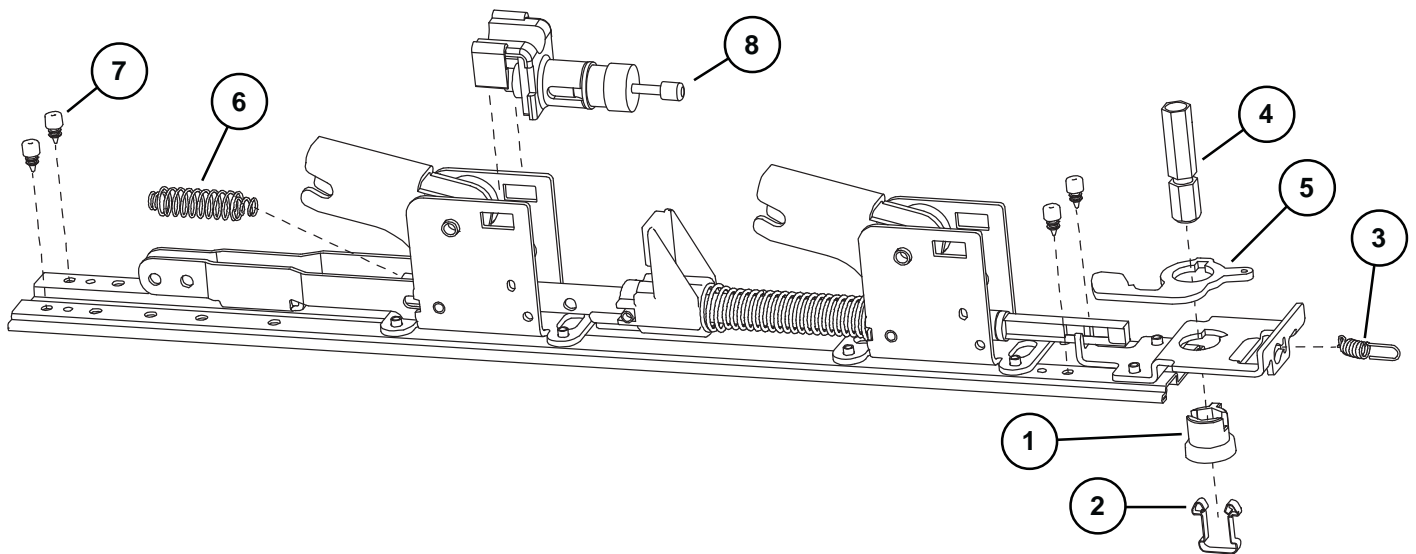
X in "Finish" column designates finished items; finish must be specified when ordering.

* To order, specify device type, size, and finish. Example: PBKIT 33A 3' US28

**Device mounting screws 900619 included.

33A/35A RIM PANIC DEVICE BASEPLATE ASSEMBLY

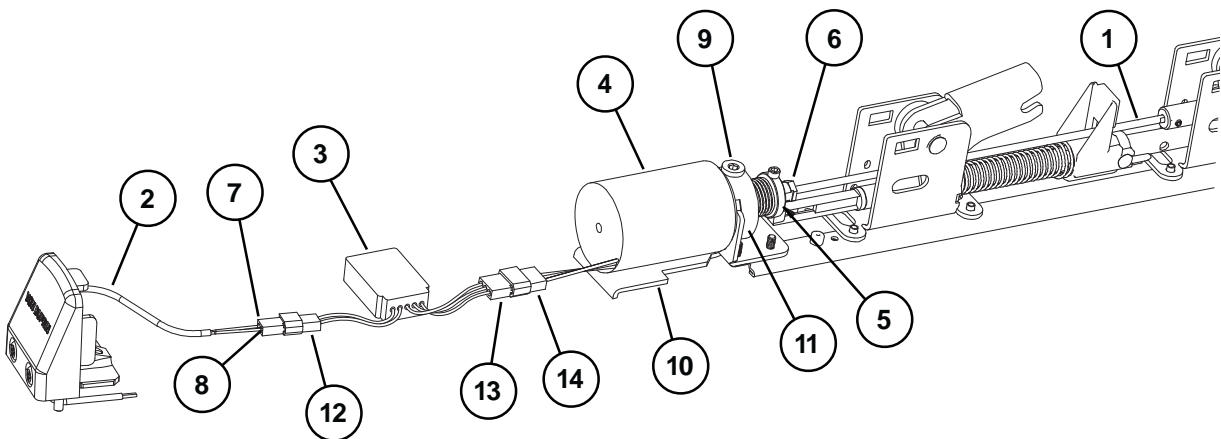
Item No.	Quantity	Part No.	Description	Finish
1	1	090043	Dogging adapter (Pkg of 2)	
2	1	090042	Dogging adapter spring (Pkg of 2)	
3	1	090041	Dogging spring (Pkg of 2)	
4	1	090040	Hex dogging shaft (Pkg of 2)	
5	1	090044	Dogging hook (Pkg of 2)	
6	1	090039	Latch return spring (Pkg of 10)	
7	4	090038	Rubber bumper (Pkg of 4)	
8	1	050491	Shock absorber	



HD-EL33A/HD-EL35A HEX DOGGING/ELECTRIC LATCH RETRACTION OPTION - PANIC DEVICE ONLY

Item No.	Quantity	Part No.	Description	Finish
1	1	050531	EL Dogging Rod Kit - 3' device	
1	1	050532	EL Dogging Rod Kit - 4' device	
2	1	110388	EL 6' Cable and Connector	
3	1	050534	EL Potted Module	
4	1	050536	HD-EL Solenoid	
5	1	050537	HD-EL Solenoid Plunger	
6	1	050538	EL Dogging Rod Retainer	
7	1	050539	EL Receptacle Connector - 2 Position	
8	2	050540	EL Female Terminal	
9	1	050541	HD-EL Dog Screw	
10	1	050542	HD-EL Solenoid Bracket	
11	1	050543	HD-EL Dogging Spring	
12	1	990599	EL Plug Connector - 2 Position	
13	1	990857	EL Receptacle Connector - 3 Position	
14	1	990858	EL Plug Connector - 3 Position	
*	1	050384	HD-EL Conversion Kit - 3'	
*	1	050385	HD-EL Conversion Kit - 4'	

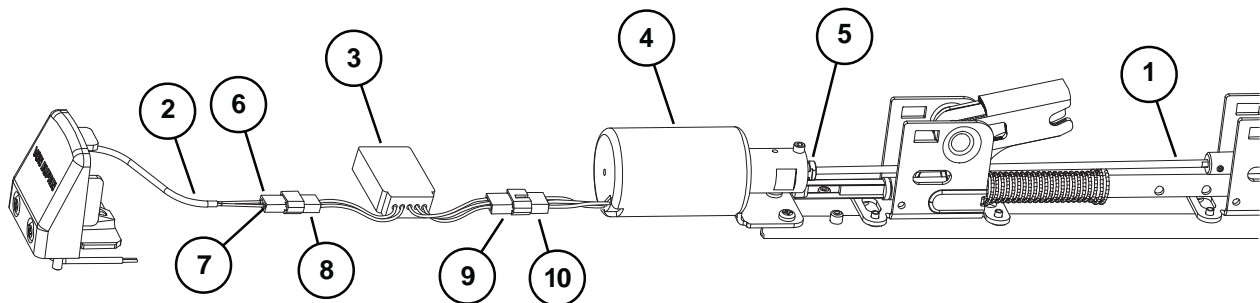
*Kit includes items 1-11 plus new control link, retaining ring, and baseplate screws.



EL33A/EL35A SERIES ELECTRIC LATCH RETRACTION OPTION

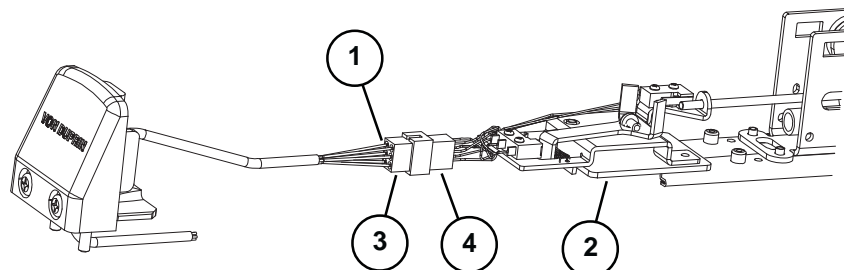
Item No.	Quantity	Part No.	Description	Finish
1	1	050531	EL Dogging Rod Kit - 3' device	
1	1	050532	EL Dogging Rod Kit - 4' device	
2	1	110388	EL 6' Cable and Connector	
3	1	050534	EL Potted Module	
4	1	050535	EL Solenoid Assembly	
5	1	050538	EL Dogging Rod Retainer	
6	1	050539	EL Receptacle Connector	
7	2	050540	EL Female Terminal	
8	1	990599	EL Plug Connector - 2 Position	
9	1	990857	EL Receptacle Connector - 3 Position	
10	1	990858	EL Plug Connector - 3 Position	
*	1	050070	EL Conversion Kit - 3'	
*	1	050078	EL Conversion Kit - 4'	

*Kit includes items 1-7 plus new control link pin, retaining ring, and baseplate screws.



SS33A/SS35A SERIES (SIGNAL SWITCH) OPTION

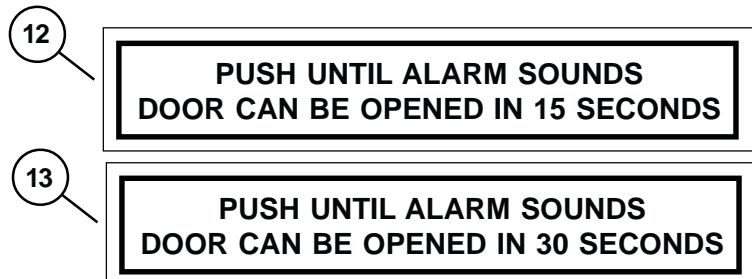
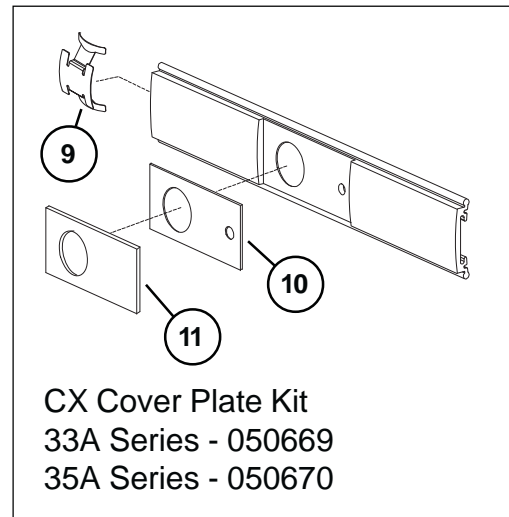
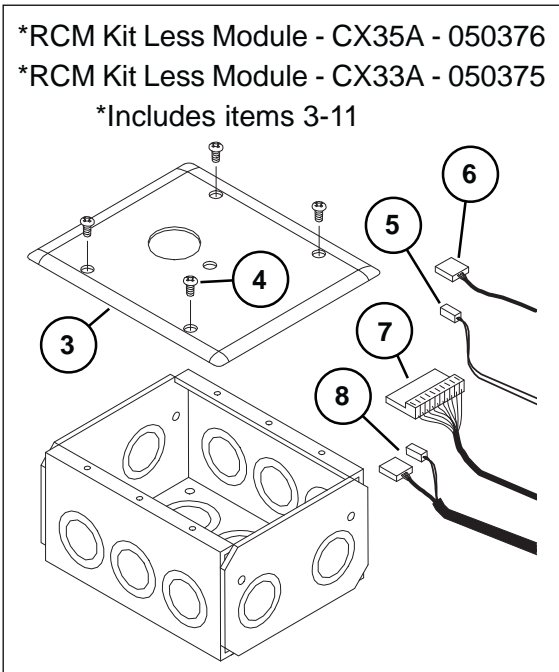
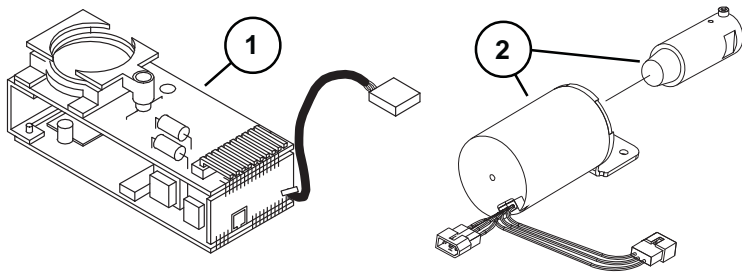
Item No.	Quantity	Part No.	Description	Finish
1	1	050544	SS Cable	
2	1	050545	SS Housing	
3	1	990601	SS Plug Connector - 6 Position	
4	1	990602	SS Receptacle Connector - 6 Position	

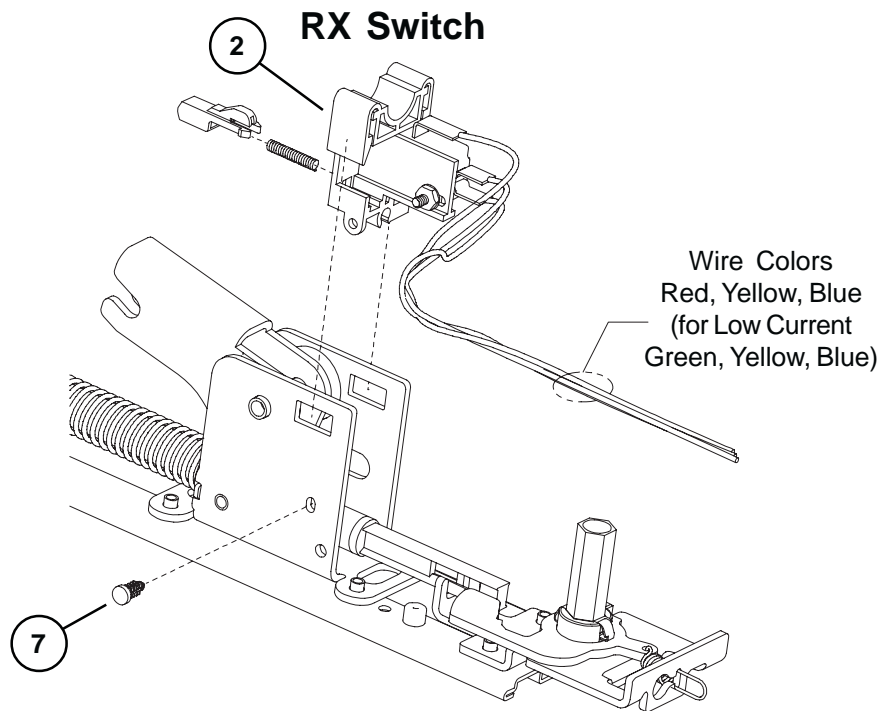
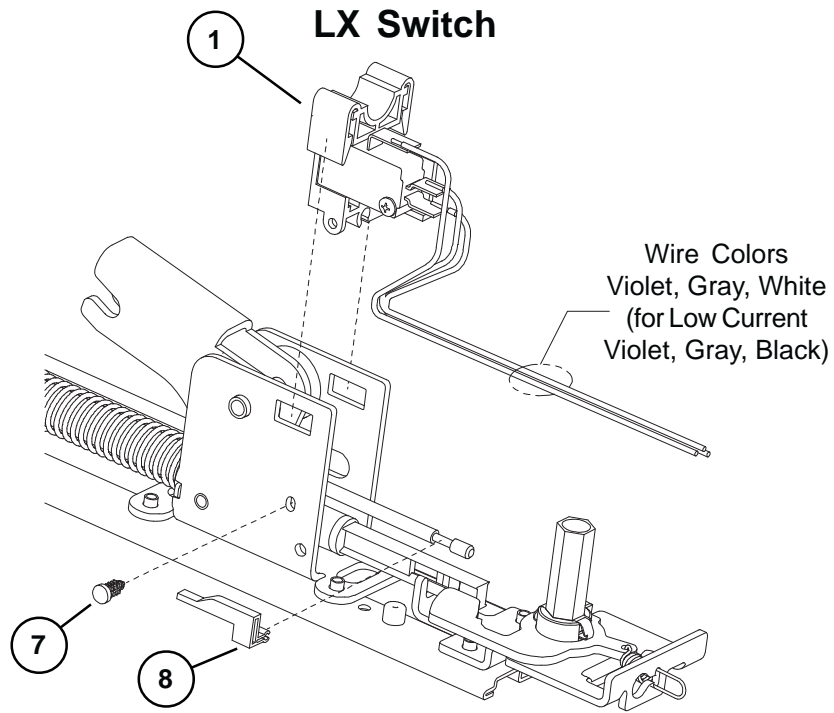


CX33A/35A SERIES CHEXIT AND CX-RCM OPTION

Item No.	Quantity	Part No.	Description	Finish
1	1	050228	Chexit PCB Kit - 15 Second Release	
1*	1	050700	Chexit PCB Kit - 30 Second Release	
1	1	050701	Chexit PCB Kit - 0 Second Release	
1	1	050702	Chexit PCB Kit - Boca 15 Second Release	
1*	1	050703	Chexit PCB Kit - Boca 30 Second Release	
2	1	050533	CX Solenoid and Plunger	
3	1	113111	Faceplate and Adapter	X
4	4	963898	6-32 x 3/8" OPHMS Faceplate Screws	X
5	1	991338	RCM 2-Wire RX Cable	
6	1	991339	RCM 3-Wire Solenoid Cable	
7	1	112018	Chexit Wiring Assembly	
8	1	991336	CX-RCM Cable Assy - 5 Wire	
9	1	090036	Cover Plate Anti-rattle Spring (Pkg of 10)	
10	1	970513	LED Cover Mask - Chexit	
11	1	970519	LED Cover - Chexit	
12	1	113781	Sign 15 Second - Chexit	
13	1	113782	Sign 30 Second - Chexit	

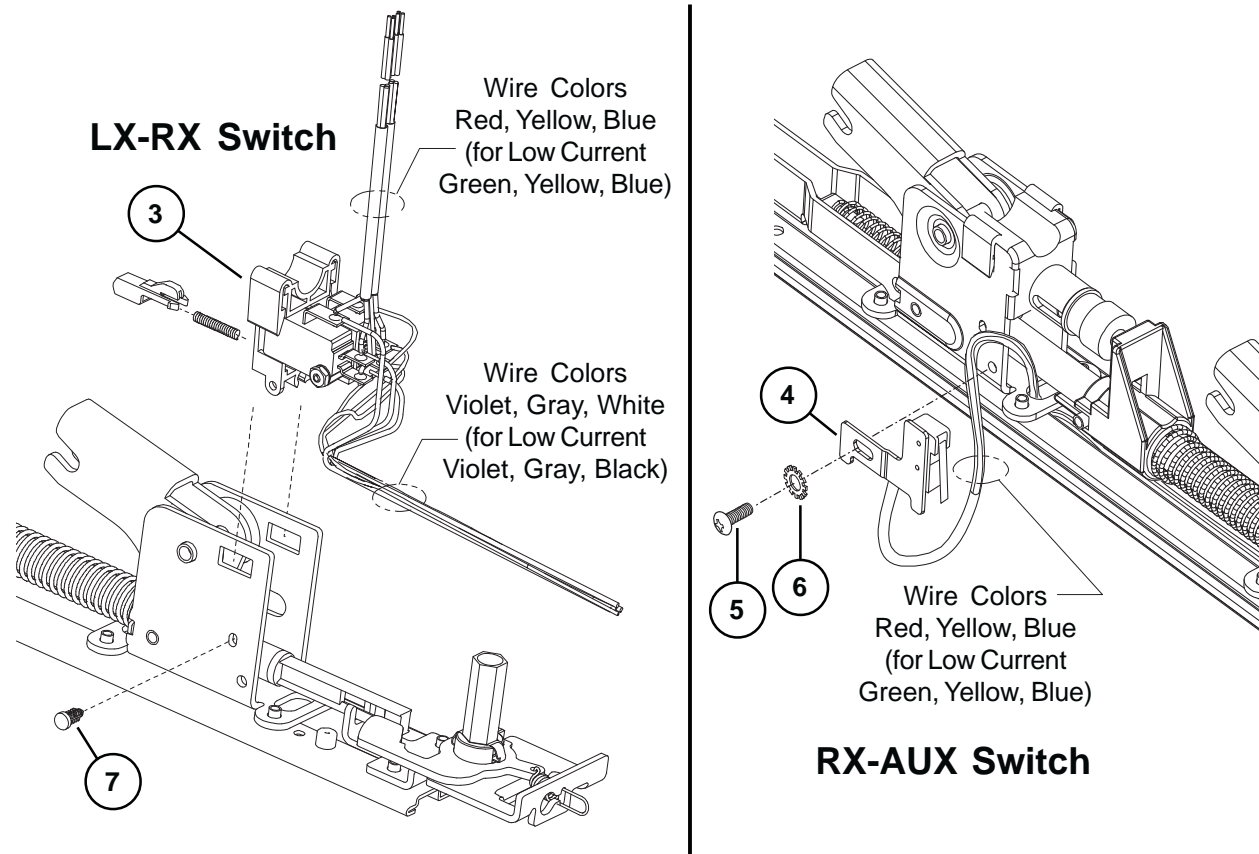
***Over 15 seconds delay requires a letter of approval from authority having local jurisdiction.
Fax letter in with sales order. The order cannot be processed without the letter.**





33A/35A SERIES LX (LATCH BOLT MONITOR) & RX (REQUEST TO EXIT) OPTIONS

Item No.	Quantity	Part No.	Description	Finish
1	1	050254	LX Switch Kit 3' Device	
1	1	050255	LX Switch Kit 4' Device	
1	1	050247	LX-EL Switch Kit	
1	1	050283	LX-LC (Low Current) Switch Kit 3' Device	
1	1	050285	LX-LC (Low Current) Switch Kit 4' Device	
1	1	050287	LX-LC-EL (Low Current) Switch Kit	
2	1	050251	RX Switch Kit	
2	1	050281	RX-LC (Low Current) Switch Kit	
3	1	050256	LX-RX Switch Kit 3' Device	
3	1	050257	LX-RX Switch Kit 4' Device	
3	1	050259	LX-RX-EL Switch Kit	
3	1	050289	LX-RX-LC (Low Current) Sw. Kit 3' Device	
3	1	050291	LX-RX-LC (Low Current) Sw. Kit 4' Device	
3	1	050293	LX-RX-LC-EL (Low Current) Switch Kit	
2 & 4	1	050270	RX-2 Switch Kit	
4	1	050271	RX-AUX Switch Kit	
5	1	964558	8-32 x 5/16" PPHMS	
6	1	964019	#8 Washer	
7	1	090099	Pine Tree Clip (Pkg of 10)	
8	1	971091	LX Actuator	



33A/35A ALK EXIT ALARM KIT

Item No.	Quantity	Part No.	Description	Finish
1	1	111795	ALK PCB Assembly	
2	1	050525	Cylinder Collar	X
3	1	969122	ALK Alarm Device Sign	
4	1	969349	ALK Arming Label	
5	1	969350	ALK Disarming Label	
6	1	969354	Retainer Nut	
7	1	970594	ALK Cylinder Spacer	
8	1	090036	Cover Plate Anti-rattle spring (Pkg of 10)	
9	1	971556	ALK Switch Actuator	
10	1	971557	ALK Cylinder Bracket	
11	1	990637	ALK Battery	
12	1	050406	33A Series ALK Cover Plate Kit	X
12	1	050407	35A Series ALK Cover Plate Kit	X

X in "Finish" column designates finished items; finish must be specified when ordering.

