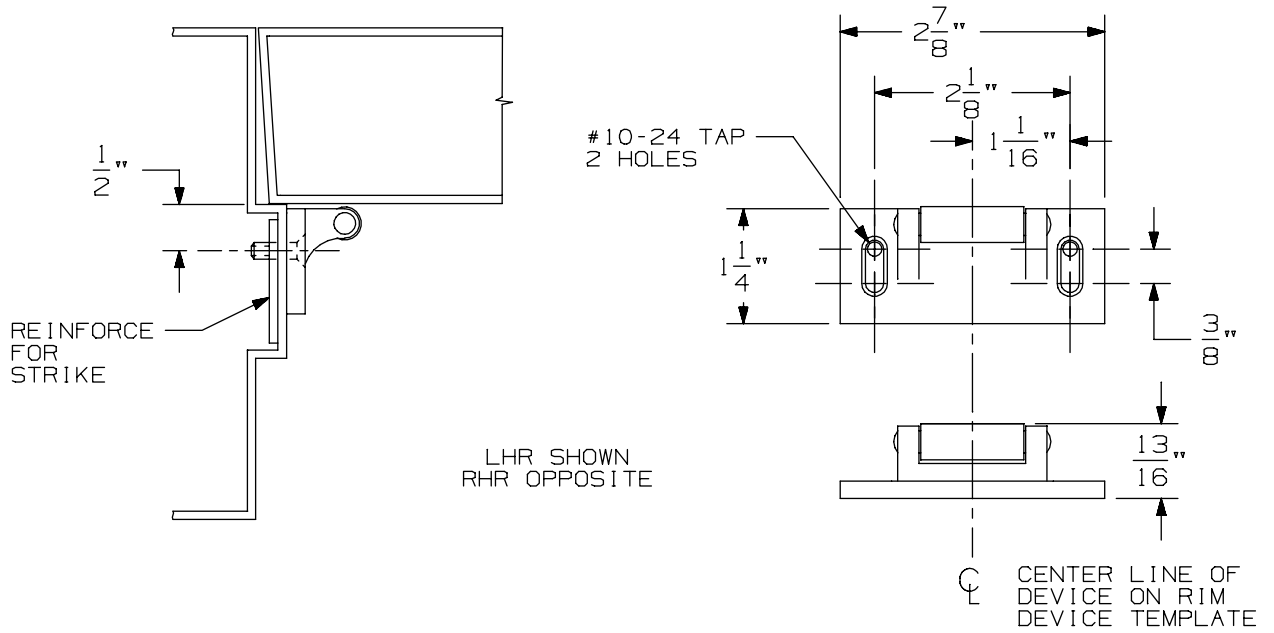
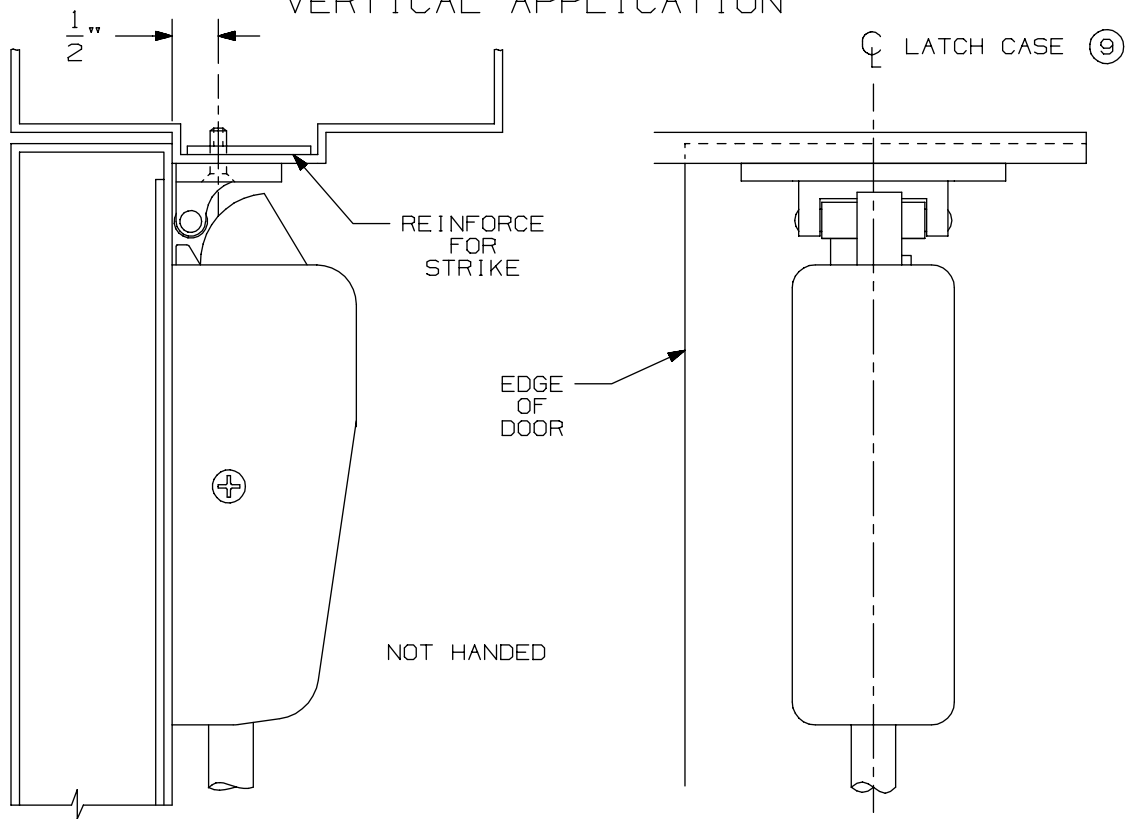


# RIM APPLICATION



# VERTICAL APPLICATION



NOTE: LATCH CASE MOUNTING HOLES TO BE PREPARED AT INSTALLATION ON DOOR.

299 & 299F Strike

**VON DUPRIN®**

NOTES: SEE MASTER SHEET #10001 FOR SUGGESTED REINFORCING

TEMPLATE  
NUMBER:

30039\_a

DATE:  
05-23-13