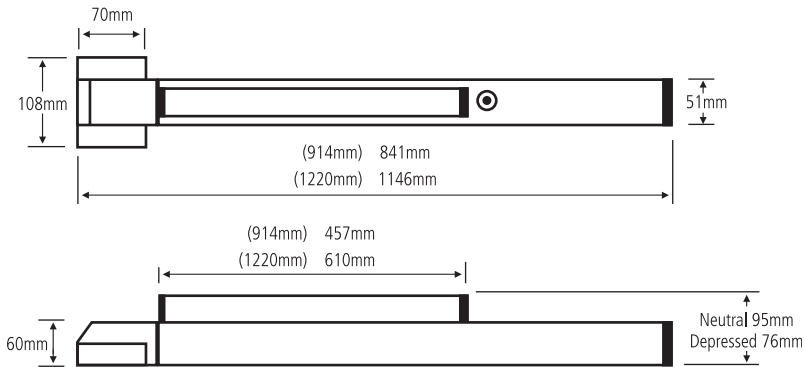


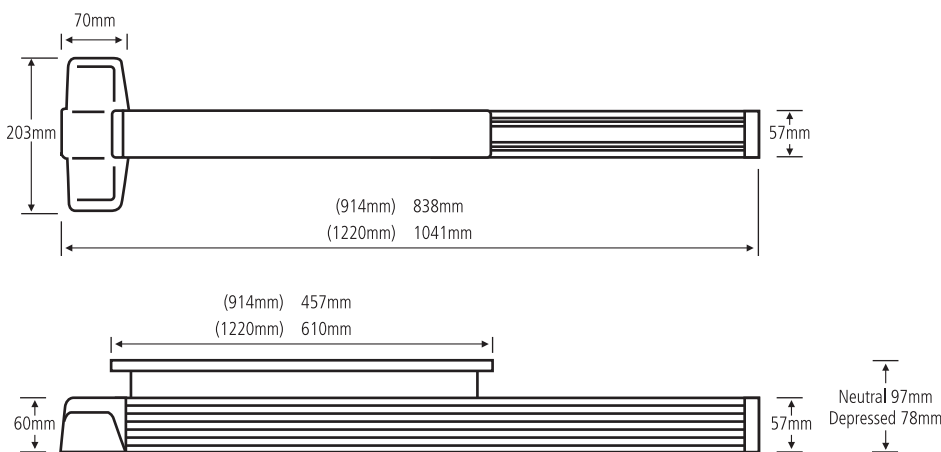
## dimensions and applications

### Dimensions

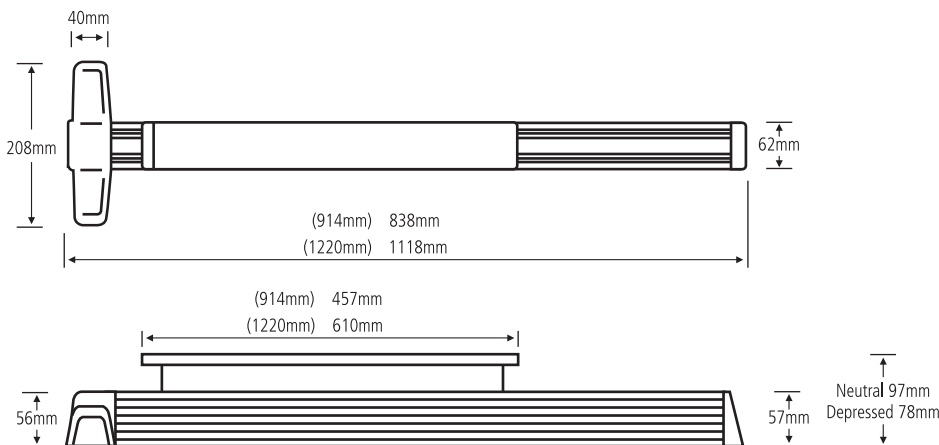
#### REL.22 Series - Mechanism Case Dimensions



#### REL.98/99 Series - Mechanism Case Dimensions



#### REL.33A/35A Series - Mechanism Case Dimensions

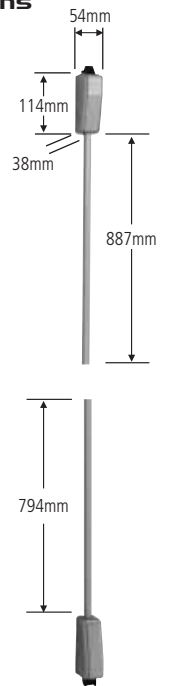


#### REL.22/98/99/33A/35A Series - Vertical Rod Dimensions

Vertical rod dimensions are 13mm square tube. Each rod is supplied with one rod guide assembly.

Additional door heights are accommodated using extension rods. Each extension rod is supplied with one rod guide assembly.

See individual device data sheets for further information.



### Cutting the Mechanism

It may be necessary to cut the device mechanism case accordingly to suit the available stop-to-stop dimension.

When cutting devices it is important to take into account the end cap dimension and strike projection. Additionally, where features such as **HD**, **CD**, **EL** or **RX** are present, the minimum device length increases.

If in doubt, please consult the sales office. We will be pleased to cut and prepare all devices in house if necessary.

