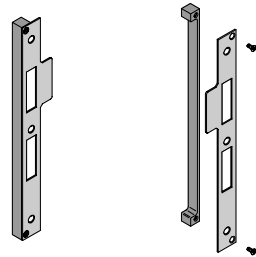


Rebate Kit Installation

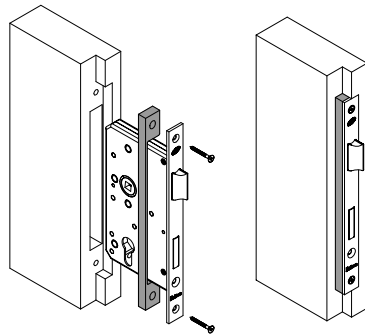
5500/122/00
Issue 02

- 1) To change handing, simply remove 2 screws, and secure Strike Rebate Packer to opposite face of Strike Plate.



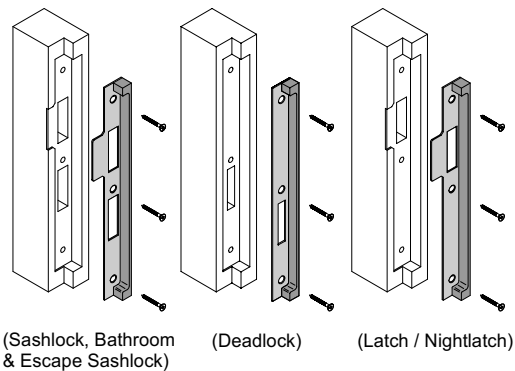
- 2) Recess door to enable Forend to finish flush with outer edge of rebate in door.

Ensure Lock cut out is central to door width.



- 3) Prepare frame to accept Rebate Strike Assembly. Secure assembly with Screws provided.

Ensure cutout in Rebate Striker lines up with Latch/Bolt Head.

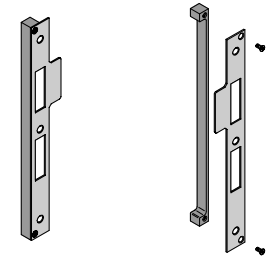


- 4) Check Lock operates freely when the door is closed.

Rebate Kit Installation

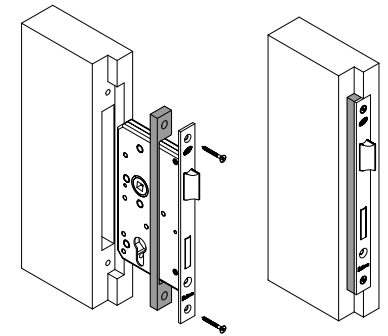
5500/122/00
Issue 02

- 1) To change handing, simply remove 2 screws, and secure Strike Rebate Packer to opposite face of Strike Plate.



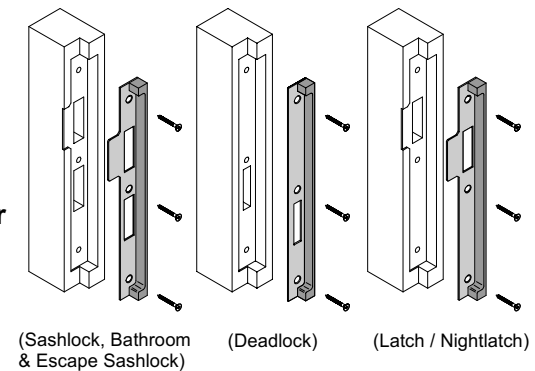
- 2) Recess door to enable Forend to finish flush with outer edge of rebate in door.

Ensure Lock cut out is central to door width.



- 3) Prepare frame to accept Rebate Strike Assembly. Secure assembly with Screws provided.

Ensure cutout in Rebate Striker lines up with Latch/Bolt Head.



- 4) Check Lock operates freely when the door is closed.