
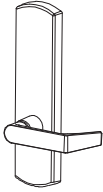


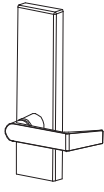

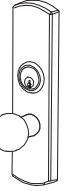
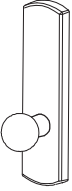




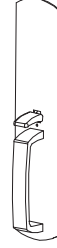
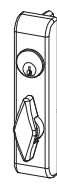



98/99 SERIES FINISHES

U.S. Std Reference	BHMA Reference	Description
US3	605	Polished Brass
US4	606	Dull Brass
US10	612	Dull Bronze
US15	619	Satin Nickel
US26	625	Polished Chrome
US26D	626	Dull Chrome
US28	628	Anodized Alum. (Clear)
US32D	630	Satin Stainless Steel
313AN	710	Anodized Alum. (313) Dark Bronze
315AN	711	Anodized Alum. (Black)

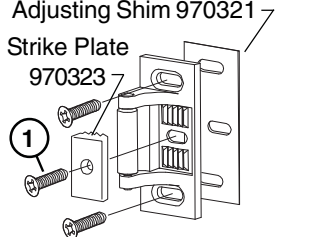
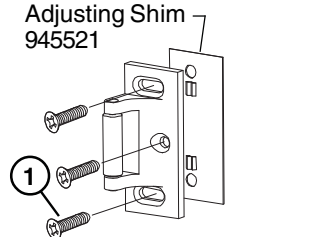
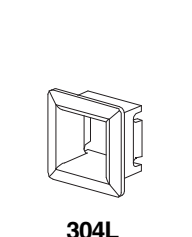
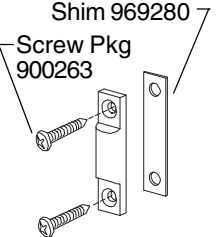
OUTSIDE TRIM FUNCTIONS

 992L 996L 992L-NL** 996L-NL**	 992L-BE* 996L-BE* 992L-DT*** 996L-DT***	 992EO 996EO	 994L 994L-NL**	 994L-BE* 994L-DT***	 994EO			
 991K 991K-NL**	 991K-BE* 991K-DT***	 990EO	 990DT***	 990NL**	 990TP	 990TP-BE*	 374T	 110NL****

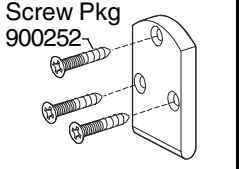
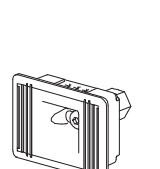
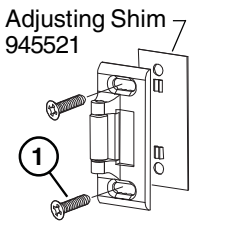
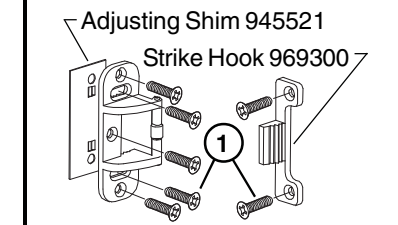
- * "BE" (Blank Escutcheon) no cylinder used - lever always active
- ** "NL" (Night Latch) rigid lever - key retracts latch bolt
- *** "DT" (Dummy Trim) rigid lever for pull operation
- **** Optional Pull needs to be added

① Metal Door Screw Package PKGSRV.1023 (Pkg of 10)
Wood Door Screw 964291 (Qty of 1)

STANDARD STRIKES

 Adjusting Shim 970321 Strike Plate 970323 ① 299 (Top) Strike - Standard Single or Double Door Panic Exit Hardware	 Adjusting Shim 945521 ① 299F (Top) Strike - Single or Double Door Fire Exit Hardware	 304L (Bottom) Strike Panic or Fire Exit Hardware	 Shim 969280 Screw Pkg 900263 ① 248L-4 (Bottom) Strike Panic Exit Hardware
--	--	---	--

OPTIONAL STRIKES

 Screw Pkg 900252 ① 260U (Top) Strike - For Flush Transom Applications Only Panic or Fire Exit Hardware	 385A (Bottom) Strike Panic or Fire Exit Hardware	 Adjusting Shim 945521 ① 264 (Top) Strike - Single Door Panic Exit Hardware	 Adjusting Shim 945521 Strike Hook 969300 ① 499F (Top) Strike - Supplied with LBR Fire Latch/Strike Kit
--	--	--	--