

# No-Flush urinal data

## Materials

All urinals are formed from reinforced fibreglass

## Colours

Standard colour white. Other colours available to special order.

## Weight

Weight of all models is 10 kg.

## Fixings

Wall hung. Drains fit most standard pipework.

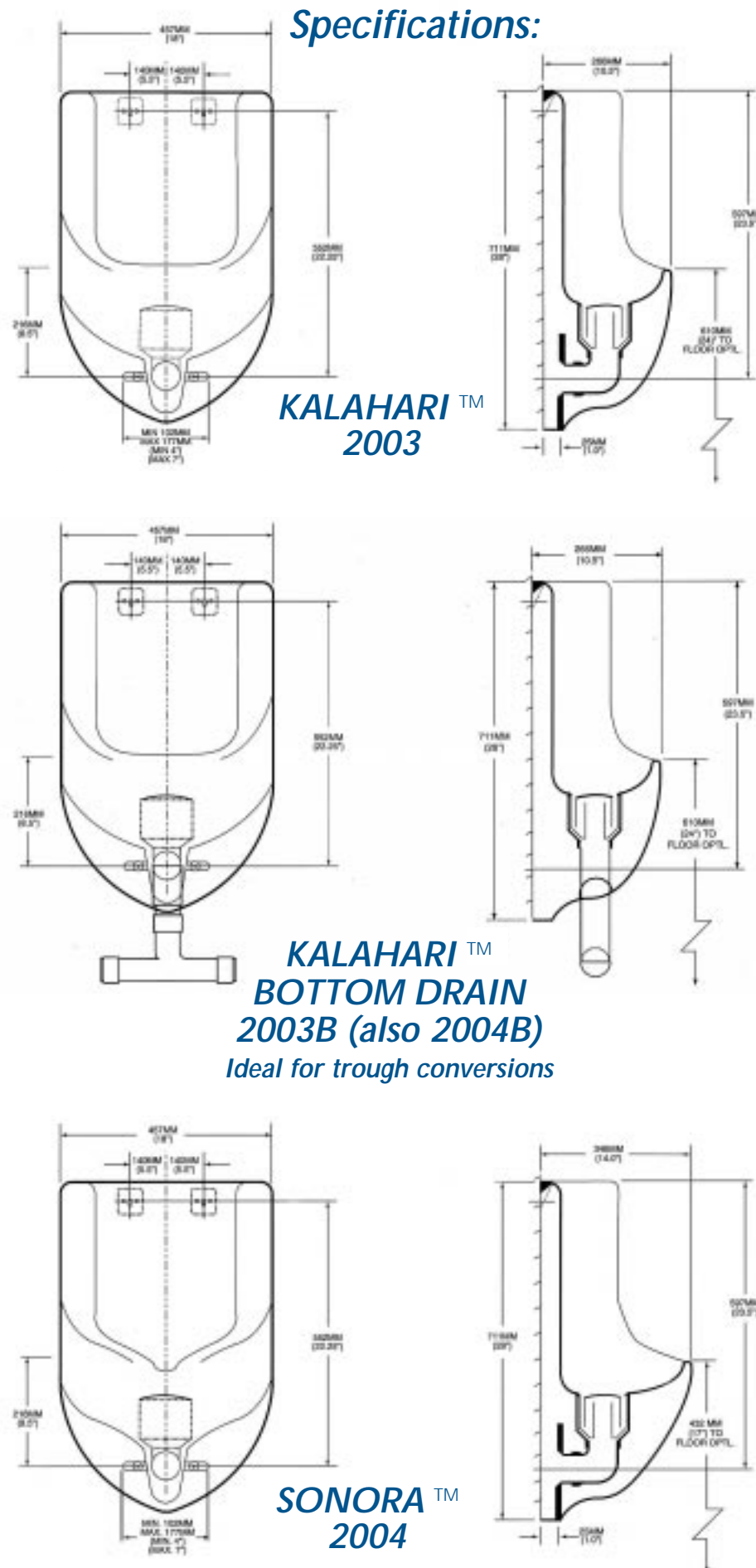
## Conversions

EcoTrap assemblies are available that allow existing trough urinals to be converted to waterless operation.

## Additional washroom hardware

Relcross provides the world's most comprehensive range of washroom equipment. Products include multi-user basin systems, hand dryers, wash fountains, showers and toilet cubicles.

All products are selected for their robust construction and good aesthetics. Special products are available to meet the particular needs of institutional situations.



*Kalahari 2003*

# Relcross Waterless Urinals

**An innovative approach to improving hygiene and making substantial savings in water consumption**

**Relcross No-Flush waterless urinals offer much more than substantial savings in water costs and washroom maintenance.**

Because of their innovative and cost-efficient design, they offer a quality alternative for all those seeking to improve standards of health and hygiene in the washroom environment.

No matter what the levels of washroom traffic - high, low, or subject to wide variation - Relcross No-Flush urinals ensure that each use is totally hygienic and that facilities are always acceptable for the next visitor.

*Relcross No-Flush urinals are suitable for -*

- Hotels*
  - Offices*
  - Schools*
  - Restaurants*
  - Public facilities*
  - Sports centres*
- and anywhere else where washroom facilities are provided for customers, guests or the public.*

**Total water savings** Relcross No-Flush urinals require absolutely no flushing with water to keep them efficient and hygienic. Each unit can save thousands of litres or gallons a year.

**Improved washroom atmosphere** No-Flush urinals eliminate a major source of washroom odours.

**Better hygiene** Scientific studies have shown that water-flushed urinals promote an 'aerosol' effect that are a prime source of bacterial proliferation. Microorganisms cannot survive on dry surfaces.

**Lower maintenance costs** There are no flushing mechanisms, valves or plumbing. Normal hand-cleaning is all that is required, plus very simple maintenance routines. Waterless urinals also result in less drain maintenance.

**Reduced environmental impact** No-Flush urinals eliminate a large and quantifiable factor from mains water demand and sewer loading - factors that have favourable implications with regulatory authorities, as well as with wider environmental interests.

*Supplied by:*



Relcross Ltd.,  
Hambleton Avenue, Devizes, Wiltshire SN10 2RT  
Tel: 01380 729600 Fax: 01380 729888  
e-mail: sales@relcross.freemove.co.uk  
Internet: www.relcross.co.uk

# Relcross waterless urinals - a quality alternative

## Operation

Relcross No-Flush urinals include a patented combination of the EcoTrap drain insert and BlueSeal liquid.

BlueSeal liquid is a combination of natural oils and has a low specific gravity. Because of this, it always floats on top of the trap, forming a complete barrier between the drain and the washroom environment. New urine quickly passes through and around the BlueSeal, leaving the barrier intact.

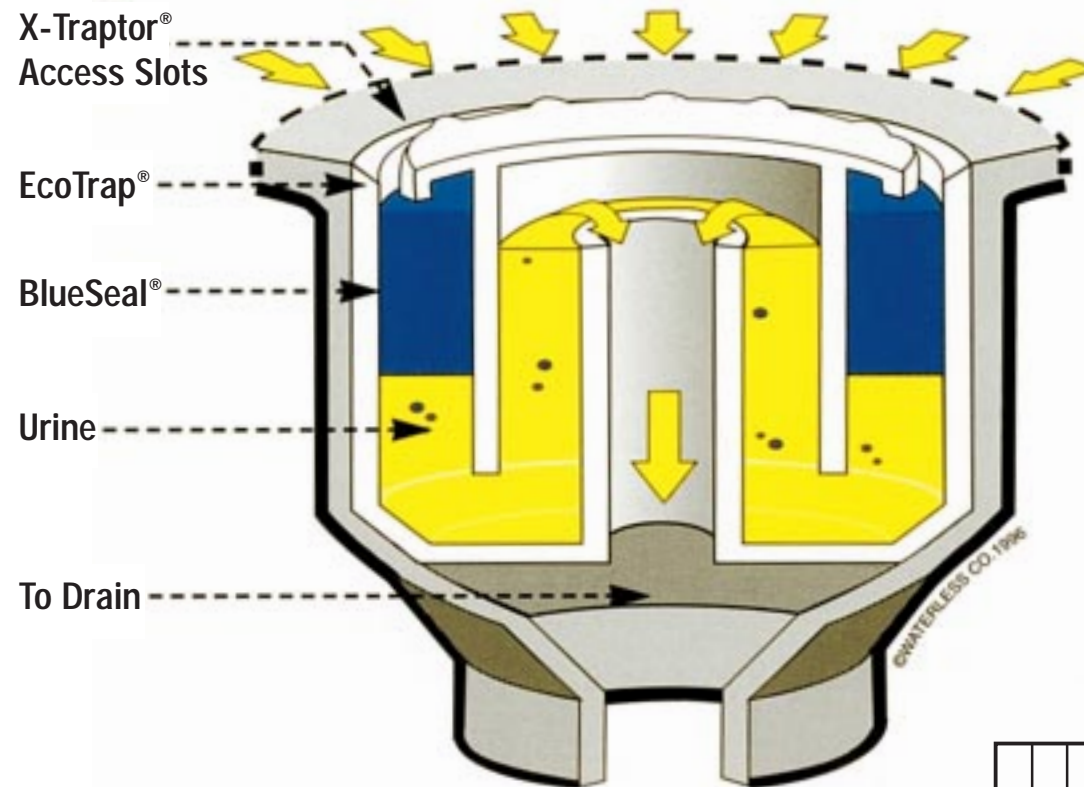
## Maintenance

A fresh 85 ml measure of BlueSeal should be dispensed into the urinal after about 1500 uses. This will be after much of the existing BlueSeal has been carried into the drain. BlueSeal is 95% biodegradable, and has no chemical reaction with urine or common cleaning solutions.

*The EcoTrap plastic insert needs occasional replacement to remove sediments.*

*A measuring bottle is provided to dispense BlueSeal, and a special tool to remove / replace the EcoTrap.*

## Cross-Section of EcoTrap®



## Water savings

The major ongoing financial advantage of No-Flush waterless urinals arises from total savings in automatically-flushed mains water.

In a metered supply, the major benefit is financial. However, there are also circumstances where it is beneficial to be able to demonstrate reduced demand on water supply and sewer capacity.

In the UK, costs do, of course, vary from region to region. It should be noted, though, that UK water consumers are amongst the highest-charged in the developed world, and that No-Flush urinals still have a highly competitive 'edge' in the relatively lenient pricing regime of the North American continent.

## Rising water costs

The response to rising water costs is, of course, to try to economise. Managements may be unhappy with this, because it smacks of reduced service in the increasingly important area of 'customer care'. No-Flush urinals overcome the whole problem by providing excellent 24-hour sanitation, while cutting out a whole major aspect of water usage.

It might also be suggested that water for urinal flushing is often provided in response to 'estimated' rather than 'actual' need. The urinal is the one type of sanitary fitting where water is discharged automatically, rather than 'on demand' by a user.

## Levels of use

In many situations, rates of usage are governed by external factors - there may be considerable periods of virtual inactivity followed by brief spells of intensive use. In neither case is the perceived balance between cost-effective operation and good sanitation satisfied; low use means wasted water, intense use means inadequate cleansing. No-Flush urinals cope with any situation, because hygiene is assured immediately after each use, regardless of frequency.

Hoteliers, especially, are amongst those who rightly believe that washroom facilities must be maintained at high standards on a 24-hour basis. For such establishments, No-Flush urinals provide the assurances they need without endlessly flushing away thousands of litres of 'unused' water each year.

## Mains water can actually cause health and maintenance problems

Regular flushing with water is often felt to be essential for urinal hygiene. However, when the EcoTrap alternative is available, it is possible to look at the improvements in hygiene and maintenance actually provided by an absence of automatic flushing.

### The 'aerosol' effect

While it should be noted that urine is usually sterile, bacteria inevitably exist in the washroom environment.

Regular, automatic urinal flushing promotes an 'aerosol' of microscopic water droplets. These will both 'capture' existing bacteria and dampen adjacent surfaces, creating environments where bacteria can multiply. Scientific surveys have shown that, under these conditions, the most intensive 'cultures' will exist in and around washbasins, taps and door handles.

Bacteria cannot live in dry environments, which is why waterless urinals actually reduce the possibilities of infection through contact and inhalation.

### Hard water

Many water supplies naturally contain dissolved minerals, making the water 'hard'.

Deposits of hard-water minerals are always a nuisance in plumbing, and can leave stubborn stains on sanitaryware. However, levels of minerals in mains water always tend to be higher than those in the pure water that forms 96% of urine.

Urine in hard water will cause an unwanted reaction. Natural chemical changes in urine release carbon dioxide, and this reacts with hard water's dissolved minerals to form insoluble deposits, which inevitably

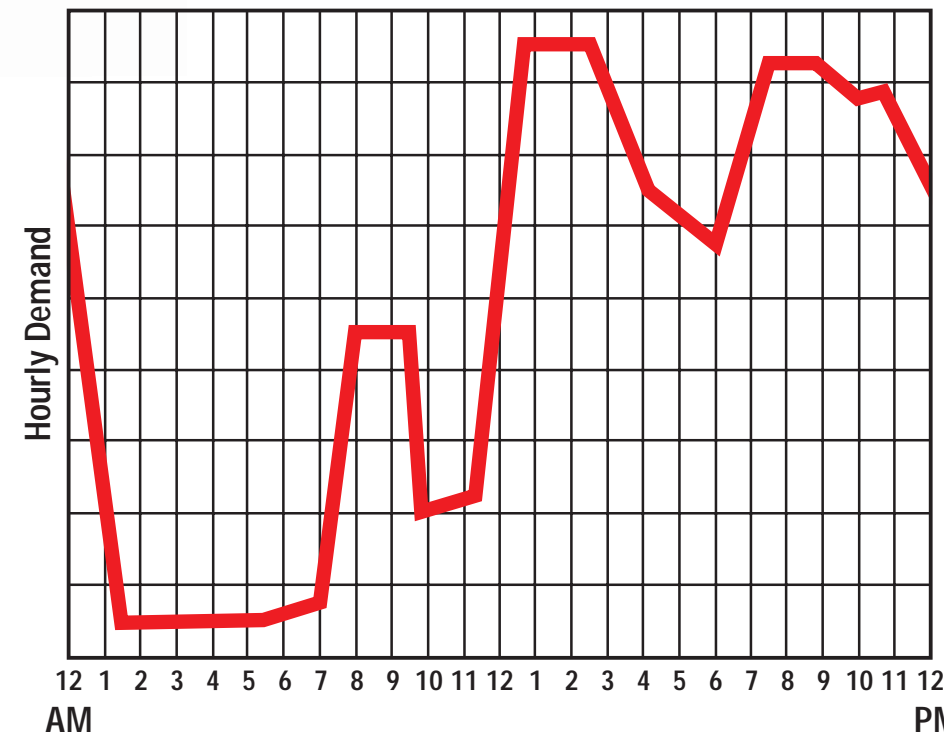
build up in drains and sewers. Because of ionic attraction with the surfaces of pipework, these do not tend to be 'flushed away' - they contribute to eventual maintenance problems.

### Odours

In water-flushed urinals, the seal between the drain and the washroom environment is provided by a water / urine solution. In No-Flush urinals, this seal is replaced by BlueSeal liquid, and so odours do not arise.

Urine odour is caused by the natural release of ammonia and, in fact, it is soon re-absorbed by water. Because of the layer of BlueSeal, free ammonia cannot escape into the atmosphere.

Water is NOT a cleaning agent. It will dissolve, dilute or displace, but it has no antiseptic effects.



## Could water usage limit future business growth?

*Typical 24-hour pattern of demand on the public washrooms in an hotel offering the full range of bar, conference, dining and evening function facilities.*

*Remember that the evening demand for water will be greatly increased by showers, baths and toilets in guest rooms. Peaks in demand might exceed the capacity to supply, but waterless urinals could cut out a whole (potentially wasteful) area of use - as well as paying for themselves through savings in water charges.*

*While water and sewer charges vary throughout the UK, an approximate annual saving of £200 per urinal is a realistic expectation.*