

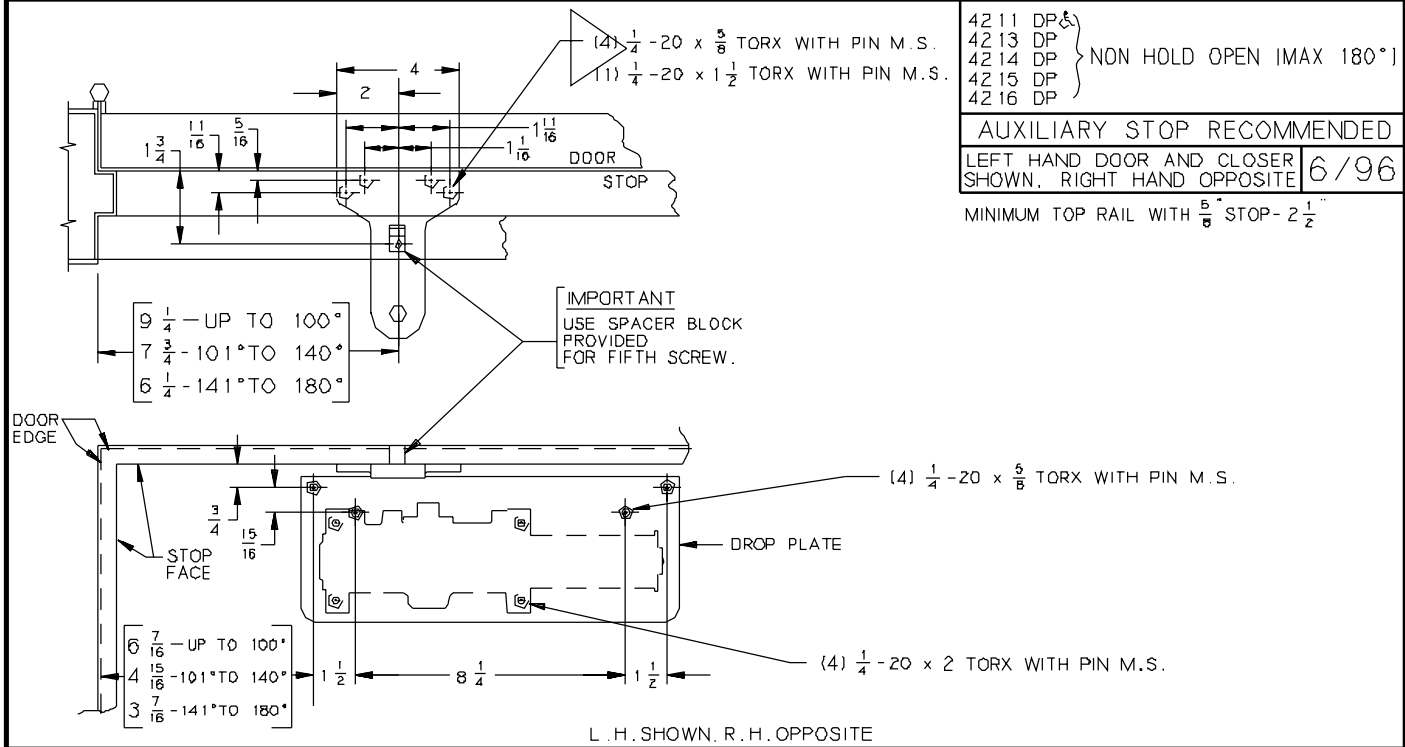
42 11 &  
42 13  
42 14 } NON HOLD OPEN (MAX 180°)  
42 15  
42 16

AUXILIARY STOP RECOMMENDED

LEFT HAND DOOR AND CLOSER SHOWN, RIGHT HAND OPPOSITE 6/96

MINIMUM TOP RAIL WITH 5/8" STOP- 5 5/8"

L. H. SHOWN, R. H. OPPOSITE



42 11 DP &  
42 13 DP  
42 14 DP } NON HOLD OPEN (MAX 180°)  
42 15 DP  
42 16 DP

AUXILIARY STOP RECOMMENDED

LEFT HAND DOOR AND CLOSER SHOWN, RIGHT HAND OPPOSITE 6/96

MINIMUM TOP RAIL WITH 5/8" STOP- 2 1/2"

L. H. SHOWN, R. H. OPPOSITE

GENERAL NOTES-

1. MINIMUM DISTANCE BETWEEN 2 DOORS ON THE SAME JAMB IS 5 1/2"
2. LOCATE CLOSER & SHOE FROM C OF PIVOT OR SWING CLEAR HINGE PIN IF USED.
3. REINFORCING PER ANSI/SOI-100 RECOMMENDED FOR HOLLOW METAL DOORS AND FRAMES.
4. FOR 180° OPENING THE MAXIMUM ALLOWABLE BUTT SIZE IS 5" x 5".
5. DELAYED ACTION OPTIONAL
6. TAMPER RESISTANT TORX MACHINE SCREWS SUPPLIED BY LCN.

AUXILIARY STOP RECOMMENDED

INCH	1/4	5/16	5/8	11/16	3/4	15/16	1 1/16	1 1/4	1 1/2	
M.M.	6	8	16	18	19	24	27	32	38	
INCH	1 1/16	1 3/4	2	2 1/8	2 3/8	2 1/2	3 7/16	4	4 15/16	
M.M.	43	44	51	54	56	64	87	102	123	
INCH	5	5 1/2	5 5/8	6	6 1/4	6 7/16	7	7 3/4	8 1/4	9 1/4
M.M.	127	140	143	152	159	164	178	197	210	235

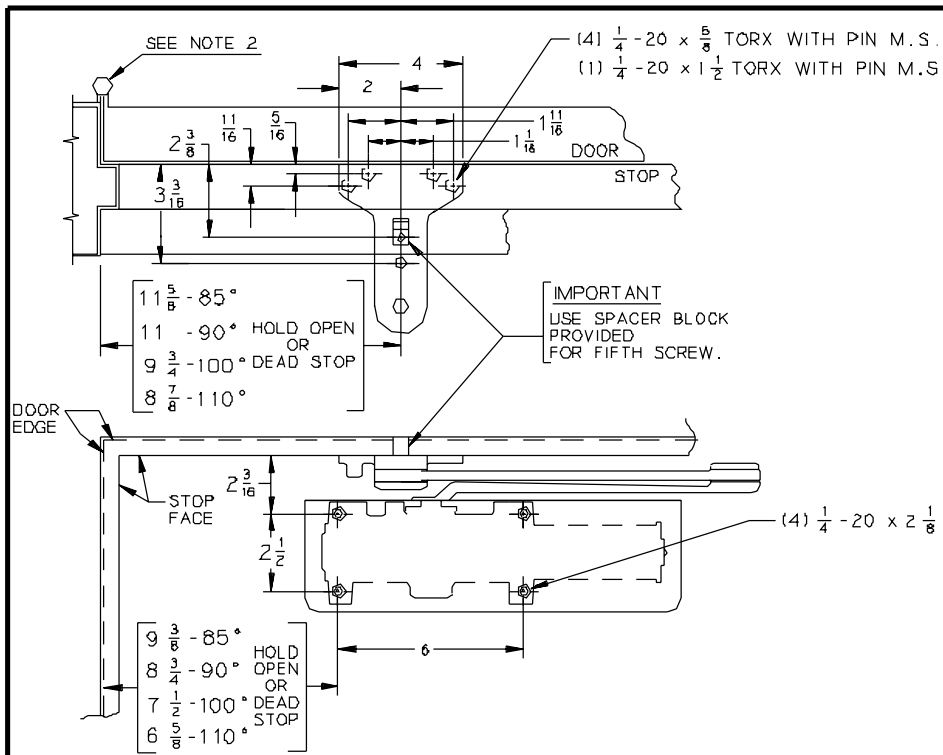
No.	REVISION	BY	DATE
4	TEMPLATE UPDATE	JEJ	6/96
5	TEMPLATE UPDATE	AMM	2/98

**LCN**<sup>®</sup>

APP BY JEJ 6/96  
DO NOT SCALE

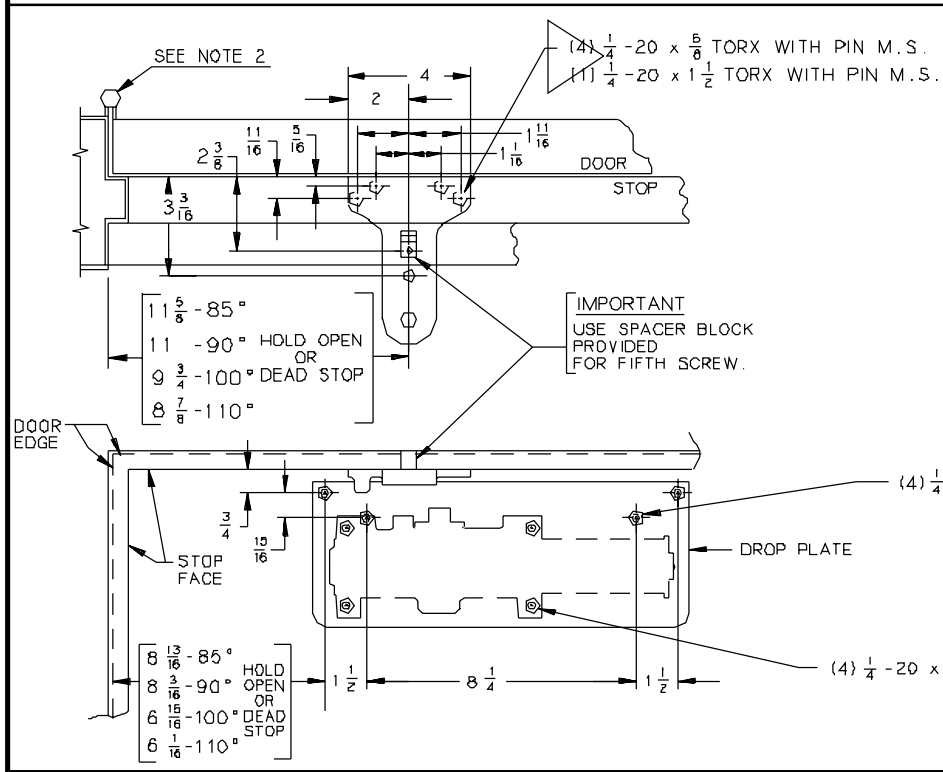
SECURITY CLOSER (PUSH SIDE MOUNTED)  
AND ON A 18 DROP PLATE

42 10/42 11 &



4211 & 85°-110° H.O. & DEAD STOP  
 OR  
 4213 } 85°-110° DEAD STOP ONLY  
 4214 } DELAYED ACTION NOT AVAILABLE  
 4215 } WITH 4215 CUSH & 4216 CUSH.  
 4216 } 4216 H.O. CUSH NOT AVAILABLE

**AUXILIARY STOP RECOMMENDED**  
 LEFT HAND DOOR AND CLOSER SHOWN, RIGHT HAND OPPOSITE **6/96**  
 MINIMUM TOP RAIL WITH 5/8" STOP- 5 5/8"



4211 DP & 85°-110° H.O. & DEAD STOP  
 OR  
 4213 DP } 85°-110° DEAD STOP ONLY  
 4214 DP } DELAYED ACTION NOT AVAILABLE  
 4215 DP } WITH 4215 CUSH & 4216 CUSH.  
 4216 DP } 4216 H.O. CUSH NOT AVAILABLE

**AUXILIARY STOP RECOMMENDED**  
 LEFT HAND DOOR AND CLOSER SHOWN, RIGHT HAND OPPOSITE **6/96**  
 MINIMUM TOP RAIL WITH 5/8" STOP- 2 1/2"

- GENERAL NOTES-
1. MINIMUM DISTANCE BETWEEN 2 DOORS ON THE SAME JAMB IS 5 1/2".
  2. LOCATE CLOSER & SHOE FROM C OF PIVOT OR SWING CLEAR HINGE PIN IF USED.
  3. REINFORCING PER ANSI/SDI-100 RECOMMENDED FOR HOLLOW METAL DOORS AND FRAMES.
  4. DELAYED ACTION OPTIONAL
  5. TAMPER RESISTANT TORX MACHINE SCREWS SUPPLIED BY LCN
  6. MAXIMUM BUTT SIZE 5" x 5"

**AUXILIARY STOP RECOMMENDED**

INCH	1/4	5/16	5/8	11/16	3/4	15/16	1 1/16	1 1/2	1 11/16	2	2 1/8
M.M.	6	8	16	18	19	24	27	38	43	51	54
INCH	2 3/16	2 3/8	2 1/2	3 3/16	4	5	5 1/2	5 5/8	6	6 1/16	6 5/8
M.M.	56	60	64	81	102	127	140	143	152	154	168
INCH	6 15/16	7 1/2	8 3/16	8 1/4	8 3/4	8 13/16	8 7/8	9 3/8	9 3/4	11	11 5/8
M.M.	176	191	208	210	222	224	225	238	248	279	295

No.	REVISION	BY	DATE
3	TEMPLATE UPDATE	JEJ	6/96
4	TEMPLATE UPDATE	AMM	2/98

**LCN**  
 APP BY JEJ 6/96  
 DO NOT SCALE  
 SECURITY CLOSER (PUSH SIDE MOUNTED)  
 CUSH-N-STOP, AND ON A 18 DROP PLATE  
 42 10CUSH/42 11CUSH &