

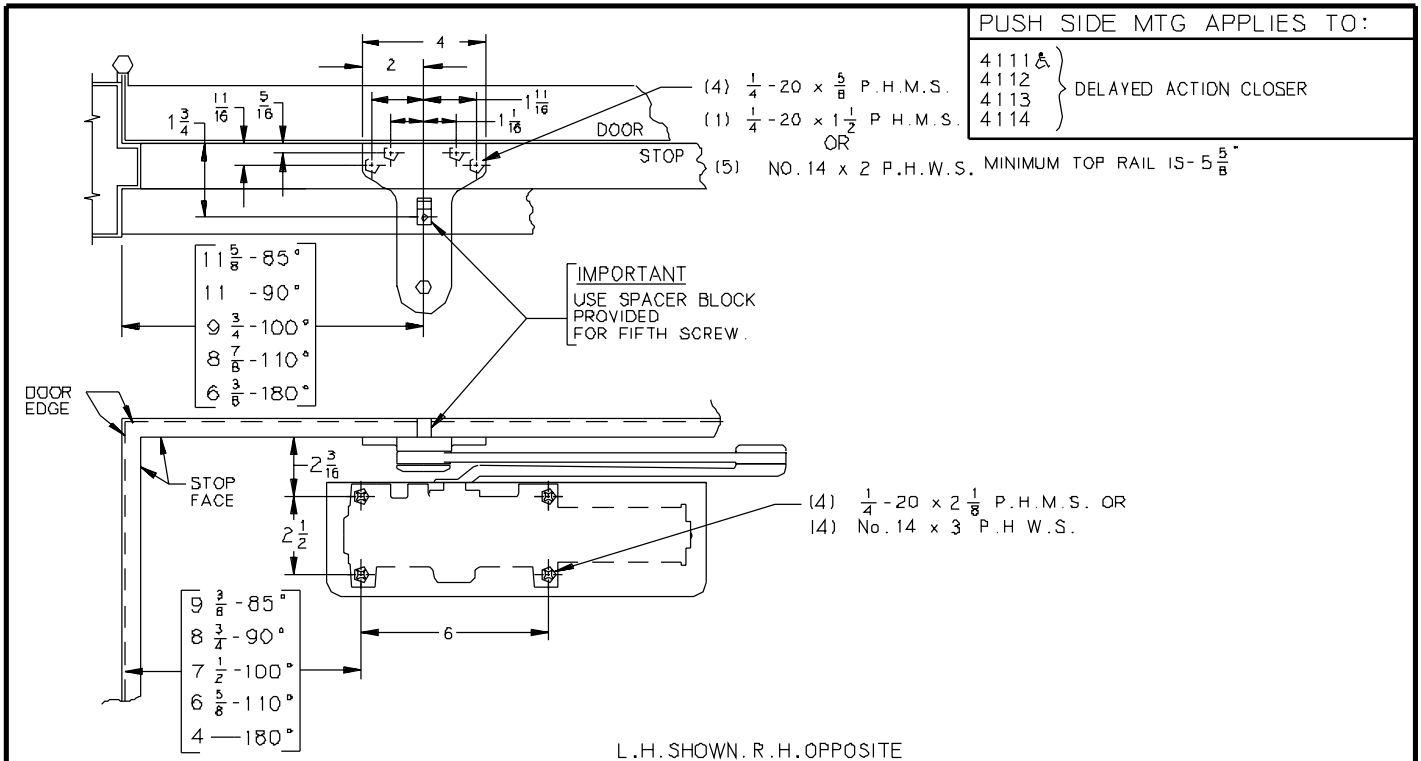
GENERAL NOTES-

AUXILIARY STOP RECOMMENDED

1. MINIMUM DISTANCE BETWEEN 2 DOORS ON THE SAME JAMB IS 5 1/2".
2. LOCATE CLOSER & SHOE FROM C OF PIVOT OR SWING CLEAR HINGE PIN IF USED.
3. REINFORCING PER ANSI/SDI-100 RECOMMENDED FOR HOLLOW METAL DOORS AND FRAMES.
4. FOR 180° OPENING THE MAXIMUM ALLOWABLE BUTT SIZE IS 5" x 5".

INCH	1/4	5/16	5/8	11/16	3/4	15/16	1 1/16	1 1/4	1 1/2	
M.M.	6	8	16	18	19	24	27	32	38	
INCH	1 1/16	1 3/4	2	2 1/8	2 3/16	2 1/2	3	7/16	4	
M.M.	43	44	51	54	56	64	76	87	102	
INCH	4 15/16	5	5 1/2	6	6 1/4	6 7/16	7	7 3/4	8 1/4	9 1/4
M.M.	125	127	140	152	159	164	178	197	210	235

No.	REVISION	BY	DATE	LCN [®]	APP BY JEJ 6/96
6	TEMPLATE UPDATE	JEJ	6/96		DO NOT SCALE
7	REMOVE F.L. NOTE	CTB	4/97		
8	TEMPLATE UPDATE	AMM	2/98	SMOOTHEE CLOSER (PUSH SIDE MOUNTED) ON 18 DROP PLATE. OR WITH 145 SHOE	
				4110/4111 &	



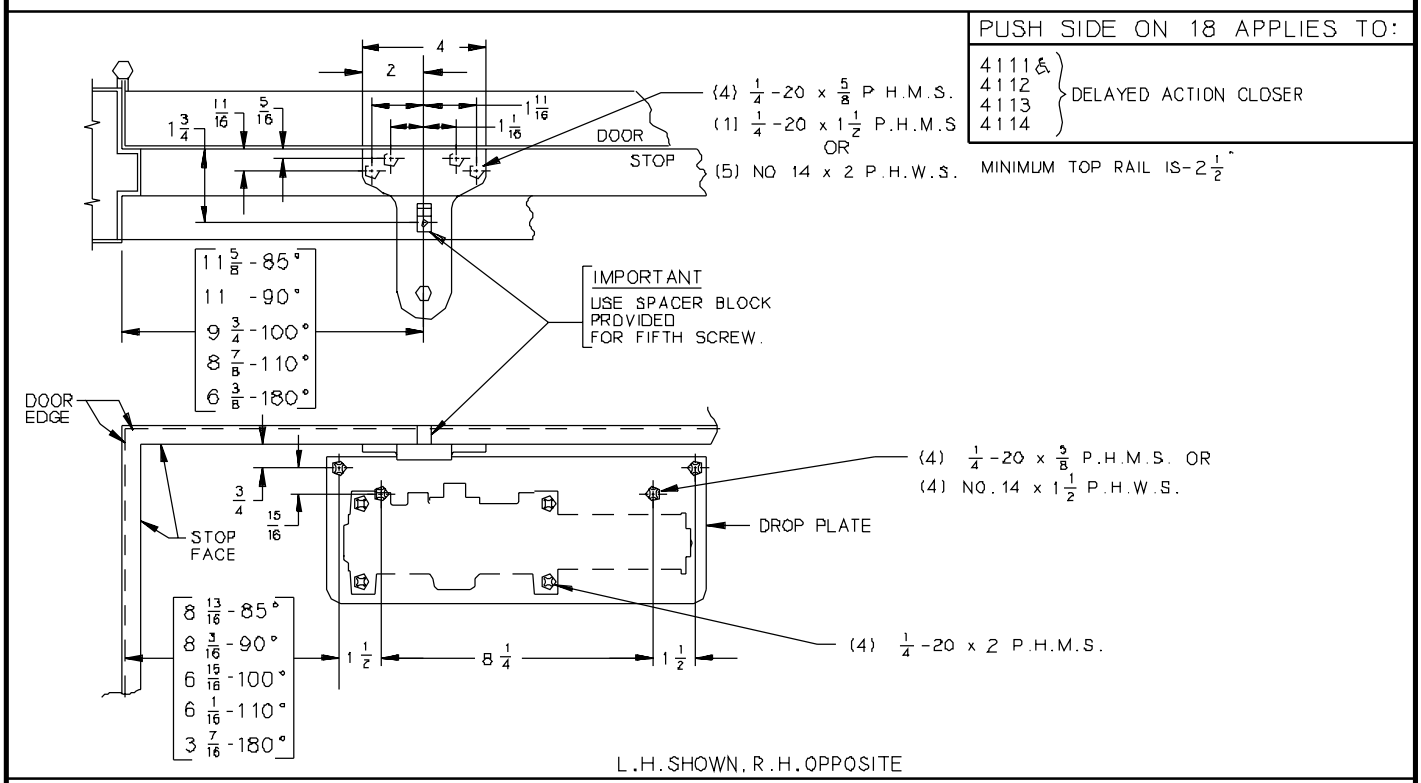
PUSH SIDE MTG APPLIES TO:

4111	} DELAYED ACTION CLOSER
4112	
4113	
4114	

IMPORTANT
USE SPACER BLOCK
PROVIDED
FOR FIFTH SCREW.

(4) 1/4-20 x 2 1/8 P.H.M.S. OR
(4) NO. 14 x 3 P.H.W.S.

L.H. SHOWN, R.H. OPPOSITE



PUSH SIDE ON 18 APPLIES TO:

4111	} DELAYED ACTION CLOSER
4112	
4113	
4114	

IMPORTANT
USE SPACER BLOCK
PROVIDED
FOR FIFTH SCREW.

(4) 1/4-20 x 3/8 P.H.M.S. OR
(4) NO. 14 x 1 1/2 P.H.W.S.

(4) 1/4-20 x 2 P.H.M.S.

L.H. SHOWN, R.H. OPPOSITE

- GENERAL NOTES-
1. MINIMUM DISTANCE BETWEEN 2 DOORS ON THE SAME JAMB IS 5 1/2".
 2. LOCATE CLOSER & SHOE FROM \hat{C} OF PIVOT OR SWING CLEAR HINGE PIN IF USED.
 3. REINFORCING PER ANSI/SDI-100 RECOMMENDED FOR HOLLOW METAL DOORS AND FRAMES.
 4. FOR 180° OPENING THE MAXIMUM ALLOWABLE BUTT SIZE IS 5" x 5".

AUXILIARY STOP RECOMMENDED

INCH	1/4	5/16	5/8	11/16	3/4	15/16	1 1/16	1 1/2	1 11/16	1 3/4	2
M.M.	6	8	16	18	19	24	27	38	43	44	51
INCH	2 1/8	2 3/16	2 1/2	3 7/16	4	5	5 1/2	6	6 1/16	6 3/8	6 5/8
M.M.	54	56	64	87	102	127	140	152	154	162	168
INCH	6 15/16	7 1/2	8 3/16	8 1/4	8 3/4	8 13/16	8 7/8	9 3/8	9 3/4	11	11 5/8
M.M.	176	191	208	210	222	224	225	238	248	279	295

No.	REVISION	BY	DATE
5	TEMPLATE UPDATE	JEJ	6/96
6	TEMPLATE UPDATE	AMM	2/98

LCN®

SMOOTHEE DELAYED ACTION CLOSER
(PUSH SIDE MOUNTED), AND ON 18 DROP PLATE

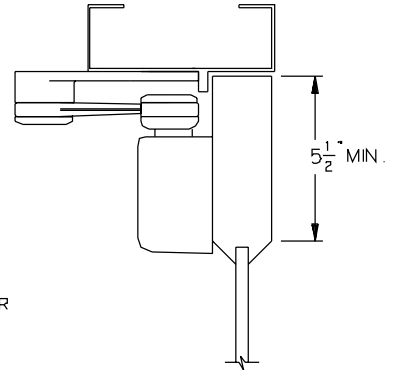
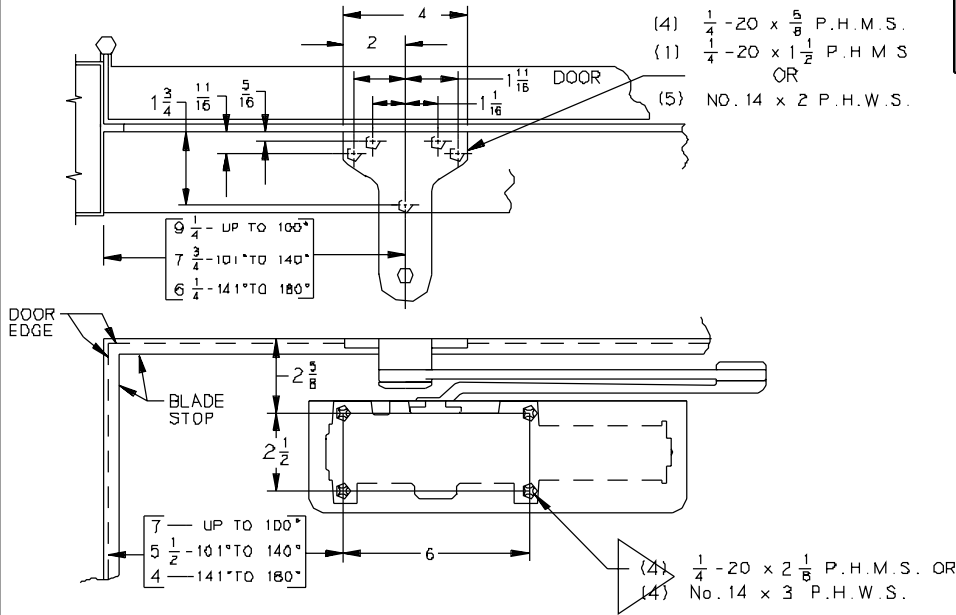
4110DA/4111DA

APP BY JEJ 6/96
DO NOT SCALE

PUSH SIDE MTG. APPLIES TO:

- 4111 &
 - 4112
 - 4113
 - 4114
 - 4115
 - 4116
- MAX. OPENING 180°
 NON HOLD OPEN (90°-180°)
 H-180 (90°-180° HOLD OPEN)

MIN. TOP RAIL 5 1/2"

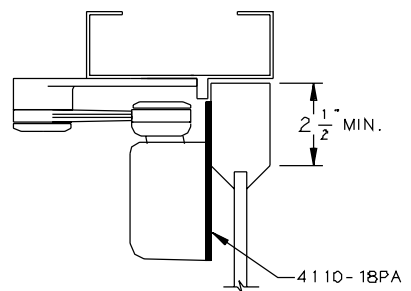
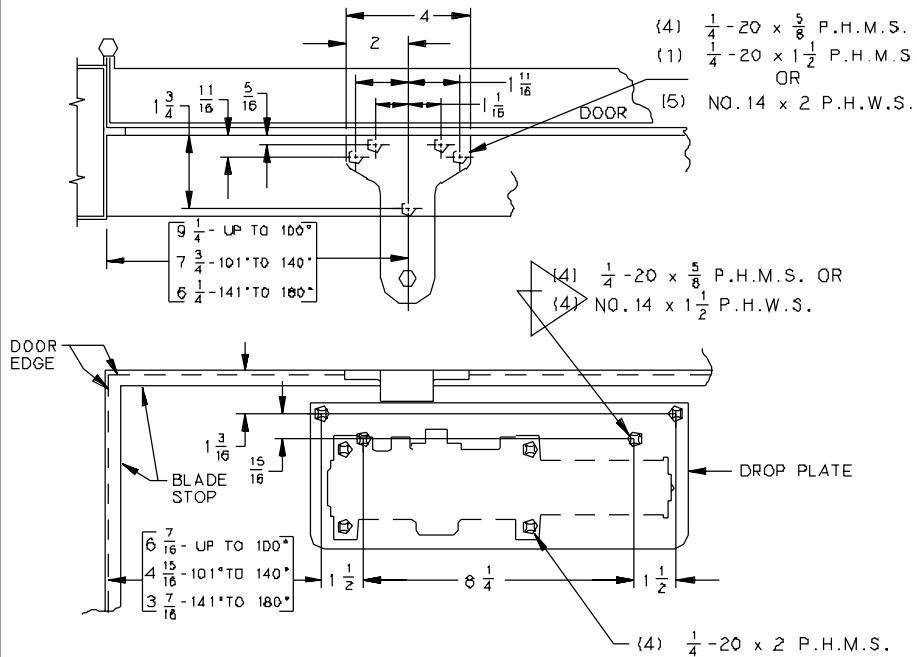


L. H. SHOWN, R. H. OPPOSITE

PUSH SIDE ON 18 APPLIES TO:

- 4111 &
 - 4112
 - 4113
 - 4114
 - 4115
 - 4116
- MAX. OPENING 180°
 NON HOLD OPEN (90°-180°)
 H-180 (90°-180° HOLD OPEN)

MIN. TOP RAIL 2 1/2"



L. H. SHOWN, R. H. OPPOSITE

GENERAL NOTES-

1. DELAYED ACTION OPTIONAL
2. MINIMUM DISTANCE BETWEEN 2 DOORS ON THE SAME JAMB IS 5 1/2".
3. LOCATE CLOSER & SHOE FROM C OF PIVOT OR SWING CLEAR HINGE IF USED.
4. REINFORCING PER ANSI/SDI-100 RECOMMENDED FOR HOLLOW METAL DOORS AND FRAMES.
5. FOR 180° OPENING THE MAXIMUM ALLOWABLE BUTT SIZE IS 5" x 5".

AUXILIARY STOP RECOMMENDED

INCH	1/4	5/16	5/8	11/16	15/16	1 1/16	1 1/2	1 11/16	1 3/4
M. M.	6	8	16	18	24	27	38	43	44
INCH	2	2 1/8	2 3/16	2 1/2	2 5/8	3	3 7/16	4	4 15/16
M. M.	51	54	56	64	67	76	87	102	125
INCH	5	5 1/2	6	6 1/4	6 7/16	7	7 3/4	8 1/4	9 1/4
M. M.	127	140	152	159	164	178	197	210	235

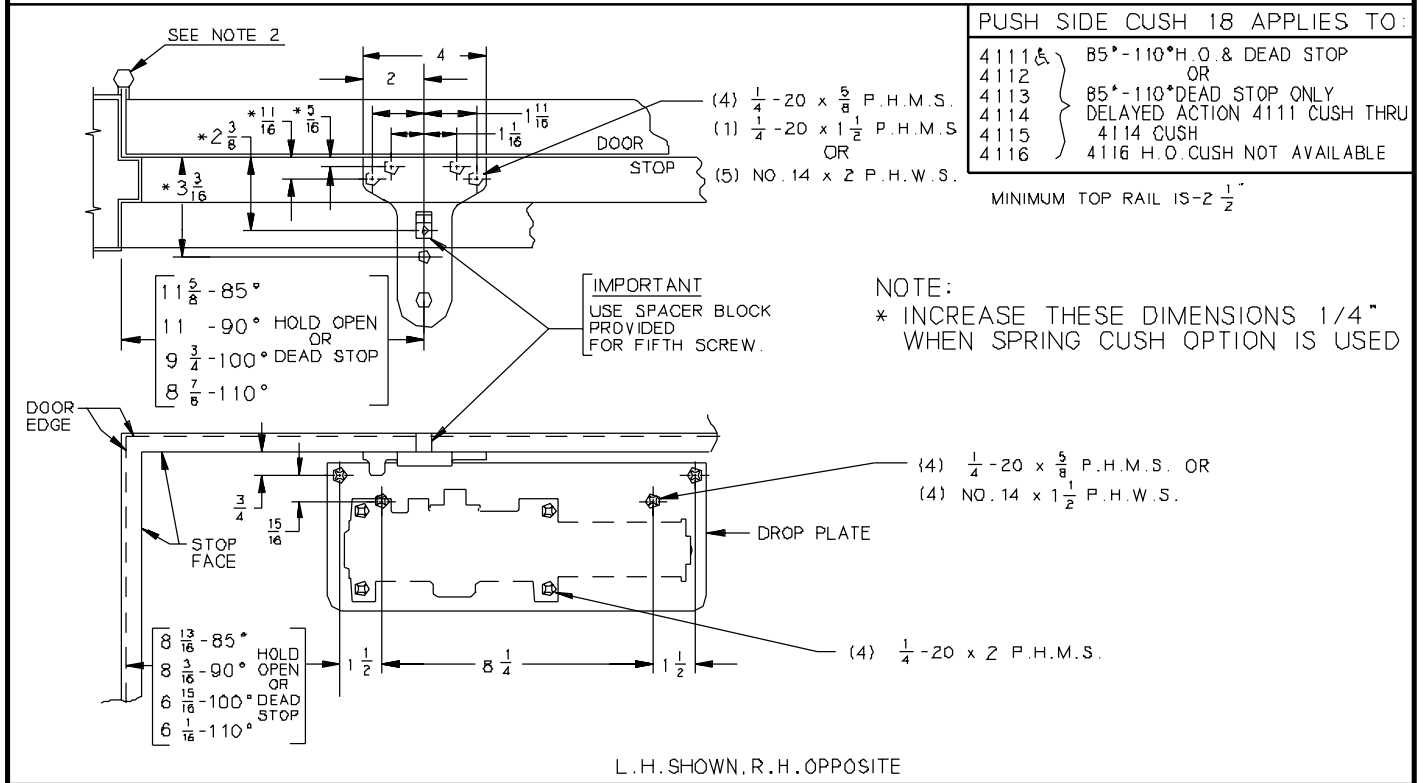
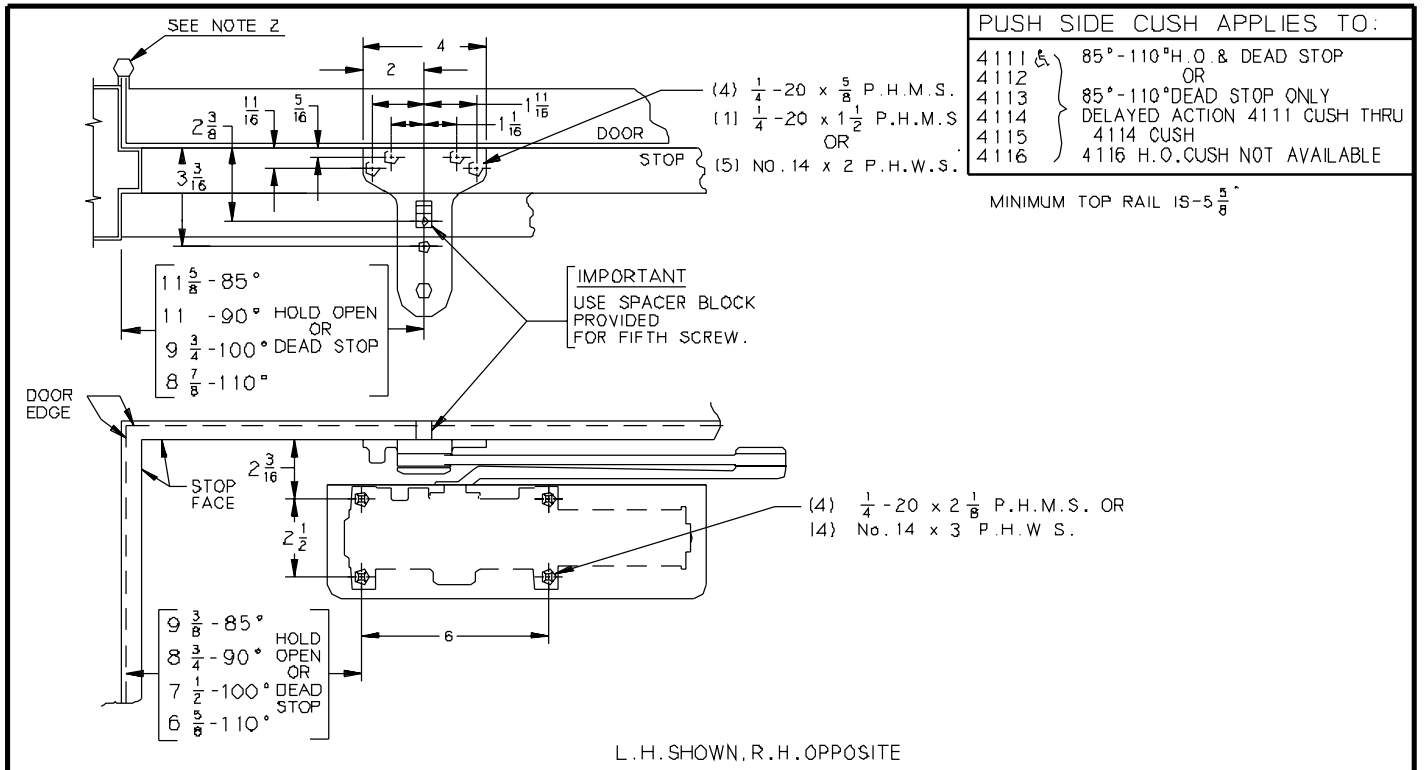
No.	REVISION	BY	DATE
6	TEMPLATE UPDATE	JEJ	6/96
7	REMOVE F. L. NOTE	CTB	4/97
8	TEMPLATE UPDATE	AMM	2/98

LCN[®]

APP BY JEJ 6/96
DO NOT SCALE

SMOOTHEE CLOSER (PUSH SIDE MOUNTED)
WITH 62G SHOE, AND ON 4110-18PA PLATE

4110-62G



- GENERAL NOTES-
1. MINIMUM DISTANCE BETWEEN 2 DOORS ON THE SAME JAMB IS $5 \frac{1}{2}$.
 2. LOCATE CLOSER & SHDE FROM \square OF PIVOT OR SWING CLEAR HINGE PIN IF USED.
 3. REINFORCING PER ANSI/SDI-100 RECOMMENDED FOR HOLLOW METAL DOORS AND FRAMES.
 4. DELAYED ACTION OPTIONAL
 5. SPRING CUSH ARM OPTIONAL

INCH	$\frac{1}{4}$	$\frac{5}{8}$	$\frac{5}{8}$	$\frac{11}{16}$	$\frac{3}{4}$	$\frac{15}{16}$	$1 \frac{1}{16}$	$1 \frac{1}{2}$	$1 \frac{11}{16}$	2	$2 \frac{1}{8}$
M.M.	5	16	16	18	19	24	27	38	43	51	54
INCH	$2 \frac{3}{16}$	$2 \frac{3}{8}$	$2 \frac{1}{2}$	3	$3 \frac{3}{16}$	4	$5 \frac{1}{2}$	$5 \frac{5}{8}$	6	$6 \frac{1}{16}$	$6 \frac{5}{8}$
M.M.	56	60	64	76	81	102	140	143	152	154	168
INCH	$6 \frac{15}{16}$	$7 \frac{1}{2}$	$8 \frac{3}{16}$	$8 \frac{1}{4}$	$8 \frac{3}{4}$	$8 \frac{13}{16}$	$8 \frac{7}{8}$	$9 \frac{3}{8}$	$9 \frac{3}{4}$	11	$11 \frac{5}{8}$
M.M.	176	191	208	210	222	224	225	238	246	279	295

No.	REVISION	BY	DATE	LCN [®]	APP BY JEJ 6/96
7	TEMPLATE UPDATE	JEJ	6/96		DO NOT SCALE
8	TEMPLATE UPDATE	AMM	2/98		
				SMOOTHEE CLOSER (PUSH SIDE MOUNTED) CUSH-N-STOP, AND ON A 18 DROP PLATE	
				4110CUSH/4111CUSH	