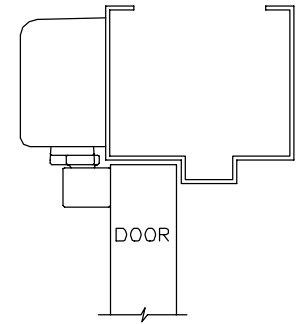
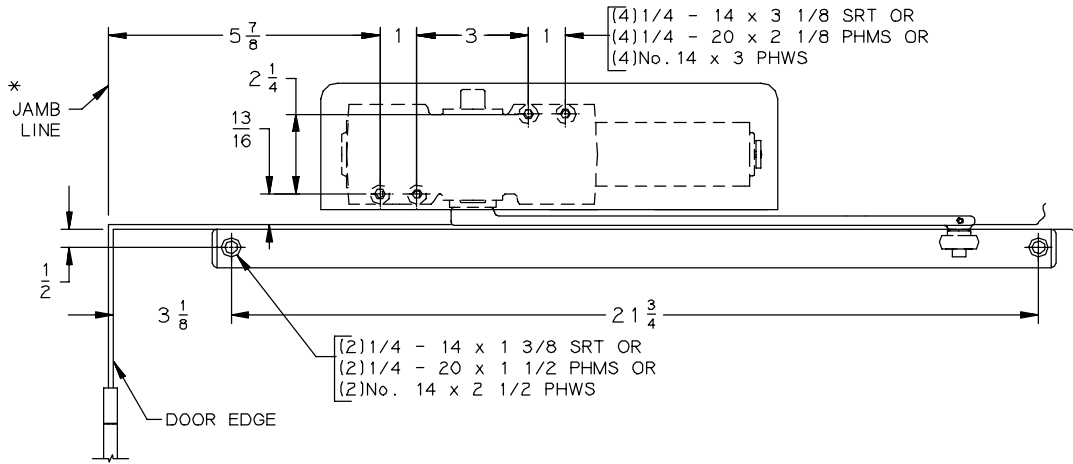


TOP JAMB PULL SIDE MOUNTED

4041 T } HOLD OPEN (85° TO 110°)
MAX. OPENING 180°

MIN. FRAME FACE $3\frac{7}{8}$ "

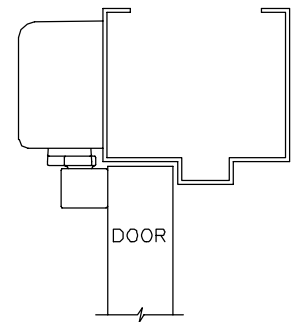
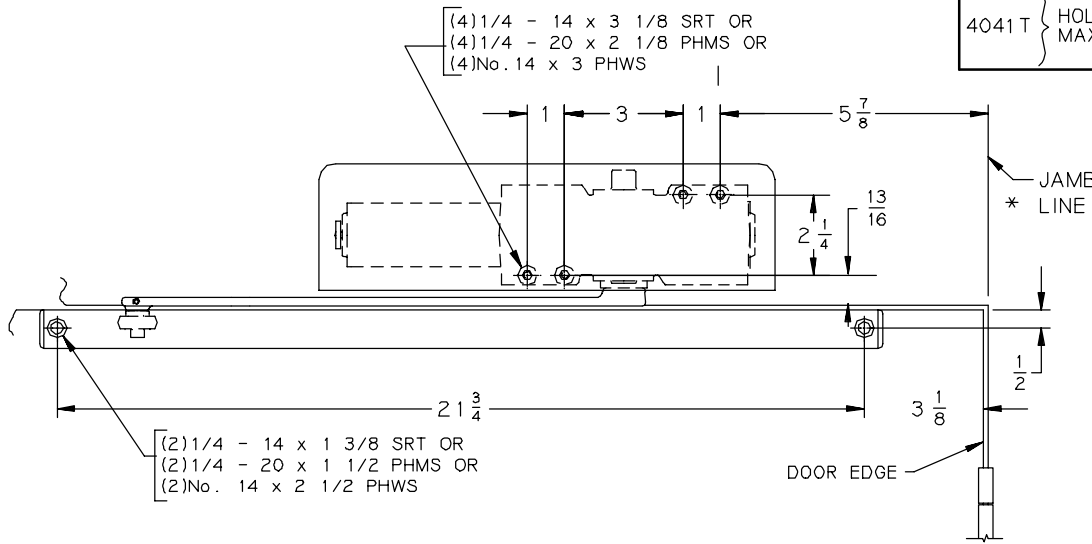


RIGHT HAND APPLICATION SHOWN

TOP JAMB PULL SIDE MOUNTED

4041 T } HOLD OPEN (85° TO 110°)
MAX. OPENING 180°

MIN. FRAME FACE $3\frac{7}{8}$ "



LEFT HAND APPLICATION SHOWN

GENERAL NOTES-

- * 1. LOCATE CLOSER & TRACK FROM \mathcal{C} OF PIVOT OR SWING CLEAR HINGE PIN, IF USED.
- 2. REINFORCING PER ANSI/SDI-100 RECOMMENDED FOR HOLLOW METAL DOORS & FRAMES.
- 3. CLOSER SIZE IS $12\frac{1}{4} \times 3\frac{1}{2} \times 2\frac{5}{32}$ ($2\frac{3}{8}$ WITH 4040T-18 ADAPTER PLATE.)

AUXILIARY STOP RECOMMENDED

INCH	$\frac{1}{4}$	$\frac{1}{2}$	$\frac{13}{16}$	1	$1\frac{1}{2}$	$2\frac{1}{8}$	$2\frac{5}{32}$	$2\frac{1}{4}$
M.M.	6	13	21	25	38	54	55	57

INCH	$2\frac{3}{8}$	$2\frac{1}{2}$	3	$3\frac{1}{8}$	$3\frac{1}{2}$	$3\frac{7}{8}$	$5\frac{7}{8}$	$12\frac{1}{4}$	$21\frac{3}{4}$
M.M.	60	64	76	79	89	98	149	311	552

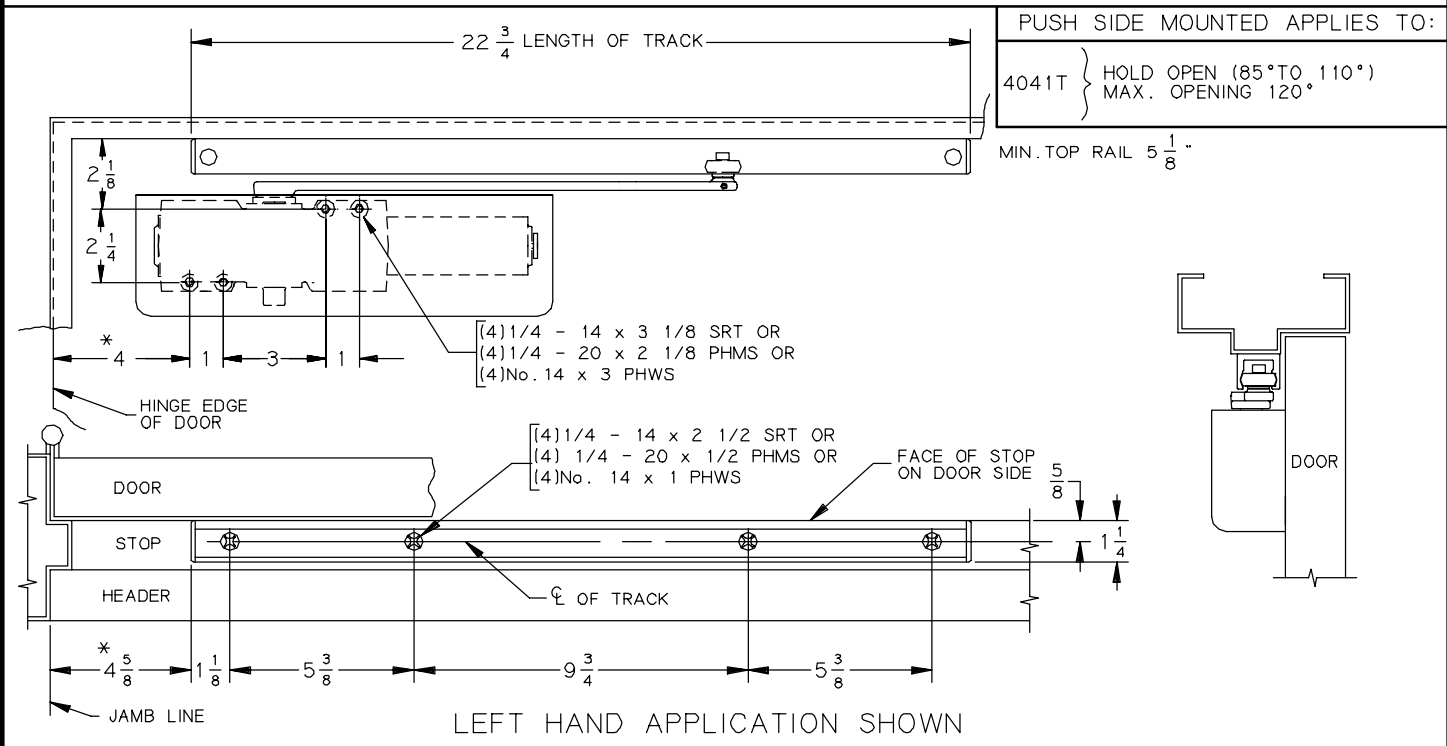
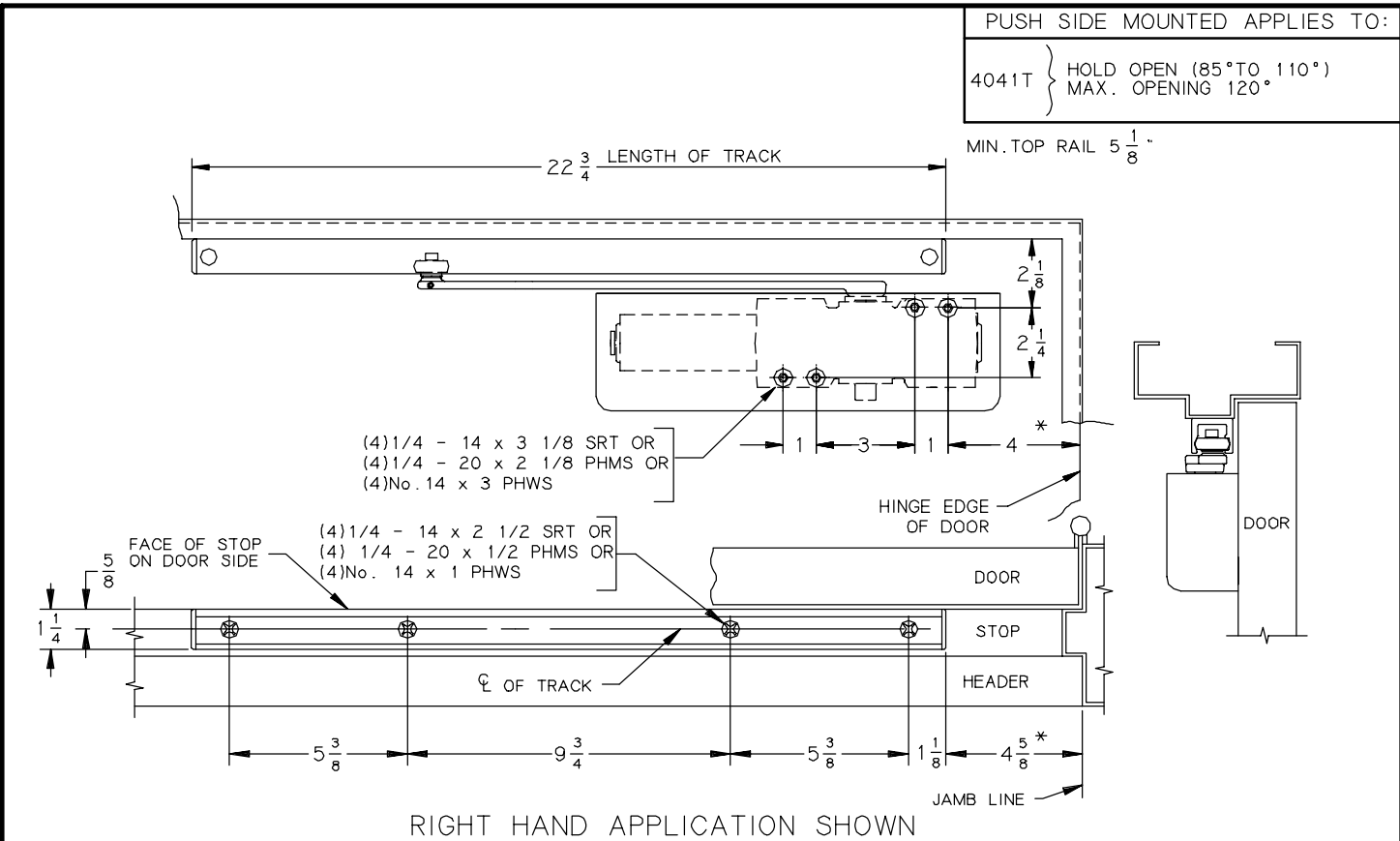
No.	REVISION	BY	DATE
2	TEMPLATE UPDATE	JEJ	6/96
3	SCREW CALL OUTS	NJM	5/00

LCN[®]

APP BY JEJ 6/96
DO NOT SCALE

4041 T SERIES CLOSER WITH TRACK
(TOP JAMB PULL SIDE MOUNTED)

4041 T (PULL SIDE TJ)



GENERAL NOTES-

- * 1. LOCATE CLOSER & TRACK FROM CL OF PIVOT OR SWING CLEAR HINGE PIN, IF USED.
- 2. REINFORCING PER ANSI/SDI-100 RECOMMENDED FOR HOLLOW METAL DOORS & FRAMES.
- 3. CLOSER SIZE IS 12 1/4 x 3 1/2 x 2 5/32 (2 3/8 WITH 4040-18 ADAPTER PLATE)

AUXILIARY STOP RECOMMENDED

INCH	1/4	1/2	5/8	1	1 1/8	1 1/4	2 1/8	2 5/32	2 1/4
M.M.	6	13	16	25	29	32	54	55	57
INCH	2 3/8	3	3 1/2	4	4 5/8	5 1/8	5 3/8	9 3/4	12 1/4
M.M.	60	76	89	102	117	130	137	248	311

No.	REVISION	BY	DATE
2	TEMPLATE UPDATE	JEJ	6/96

LCN®

APP BY JEJ 6/96
DO NOT SCALE

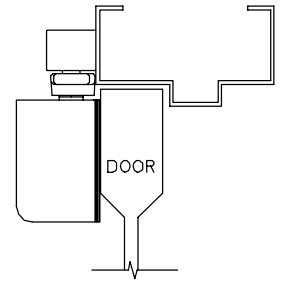
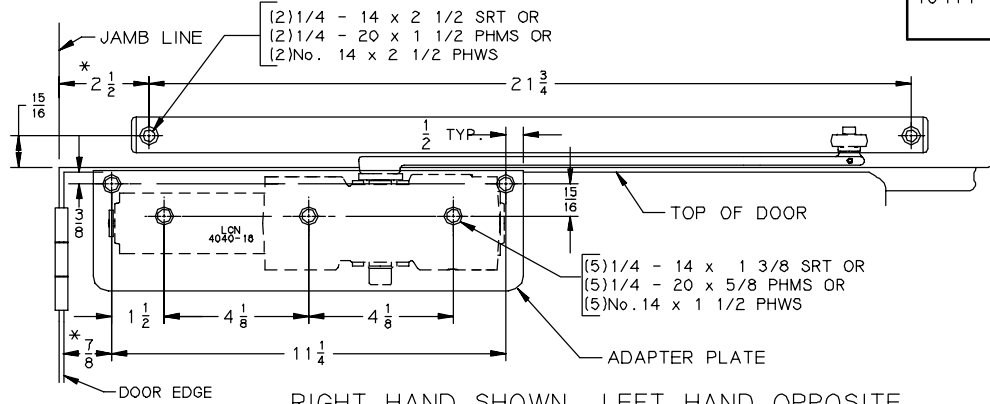
4041T SERIES CLOSER WITH TRACK
(PUSH SIDE MOUNTED)

4041 T (PUSH SIDE)

PULL SIDE MOUNTED ON 4040-18

4041T } HOLD OPEN (85° TO 110°
MAX. OPENING 120°

MIN. TOP RAIL 1 13/16

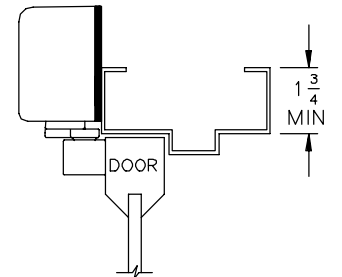
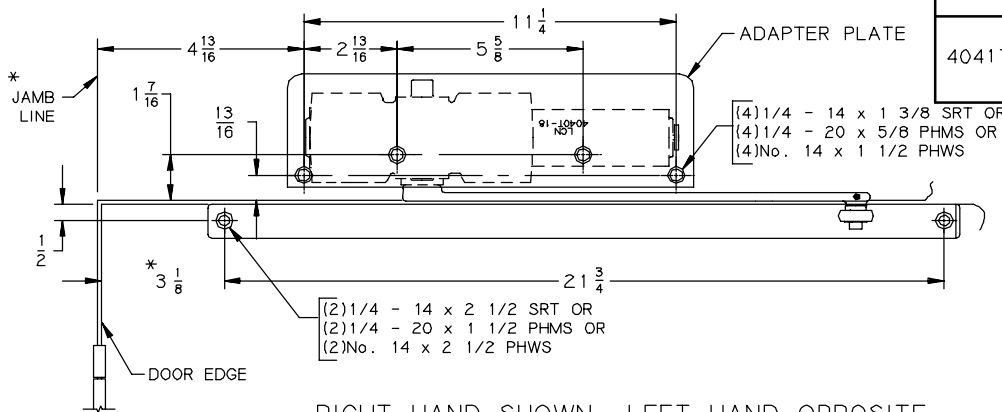


RIGHT HAND SHOWN, LEFT HAND OPPOSITE

TOP JAMB PULL SIDE MOUNTED ON 4040T-18

4041T } HOLD OPEN (85° TO 110°
MAX. OPENING 180°

MIN. FACE OF FRAME IS 1 15/16

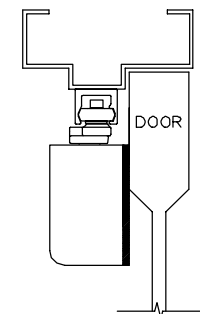
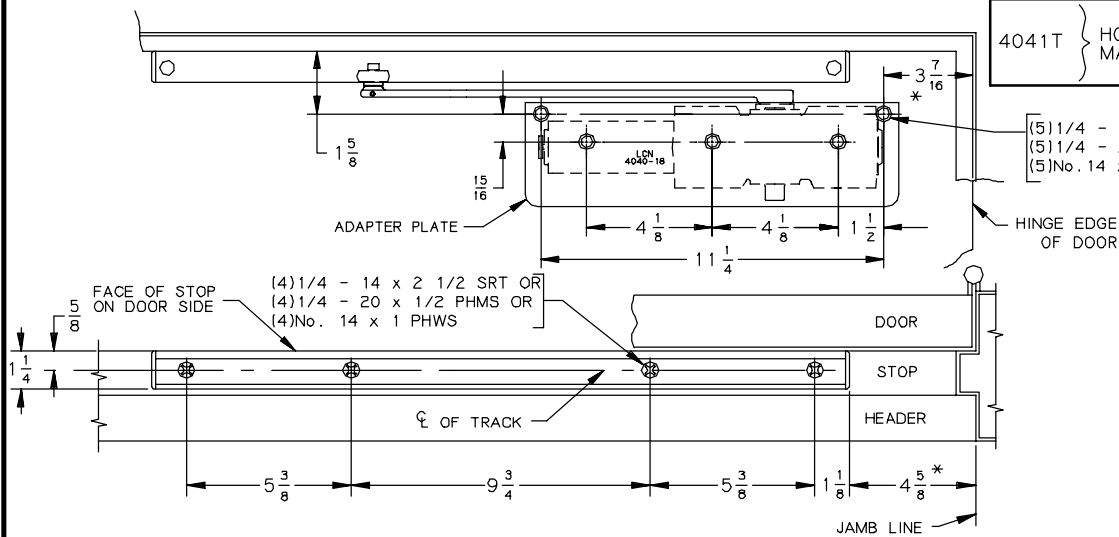


RIGHT HAND SHOWN, LEFT HAND OPPOSITE

PUSH SIDE MOUNTED ON 4040-18

4041T } HOLD OPEN (85° TO 110°
MAX. OPENING 120°

MIN. TOP RAIL 2 1/8



RIGHT HAND SHOWN, LEFT HAND OPPOSITE

- GENERAL NOTES- * 1. LOCATE CLOSER & TRACK FROM ϕ OF PIVOT, IF USED.
2. REINFORCING PER ANSI/SDI-100 RECOMMENDED FOR HOLLOW METAL DOORS & FRAMES.
3. CLOSER SIZE IS 12-1/4 x 3-1/2 x 2-5/32 (2-3/8 WITH 4040 ADAPTER PLATE)

AUXILIARY STOP RECOMMENDED

INCH	1/4	3/8	1/2	5/8	13/16	7/8	15/16	1	1 1/8	1 1/4	1 7/8
M.M.	6	10	13	16	21	22	24	26	29	32	37
INCH	1 1/2	1 5/8	1 13/16	1 3/4	1 15/16	2 1/8	2 5/32	2 3/8	2 1/2	2 13/16	3 1/8
M.M.	38	41	46	45	49	54	55	60	64	72	80
INCH	3 7/16	3 1/2	4 1/8	4 5/8	4 13/16	5 3/8	5 5/8	9 3/4	11 1/4	12 1/4	21 3/4
M.M.	88	89	106	119	123	138	144	250	288	311	558

No.	REVISION	BY	DATE
2	TEMPLATE UPDATE	JEJ	6/96
3	SCREW CALL OUTS	NJM	5/00

LCN®

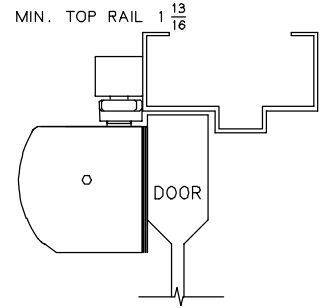
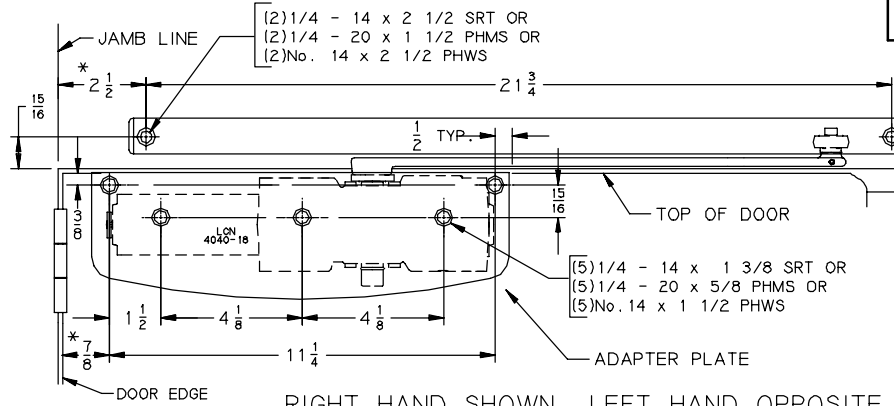
APP BY JEJ 6/96
DO NOT SCALE

4041T SERIES CLOSER WITH TRACK
(CLOSER MOUNTED ON ADAPTER PLATE)

4041 T DP

PULL SIDE MOUNTED ON 4041-18

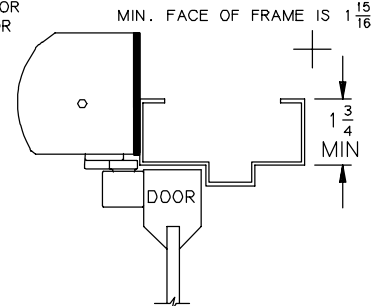
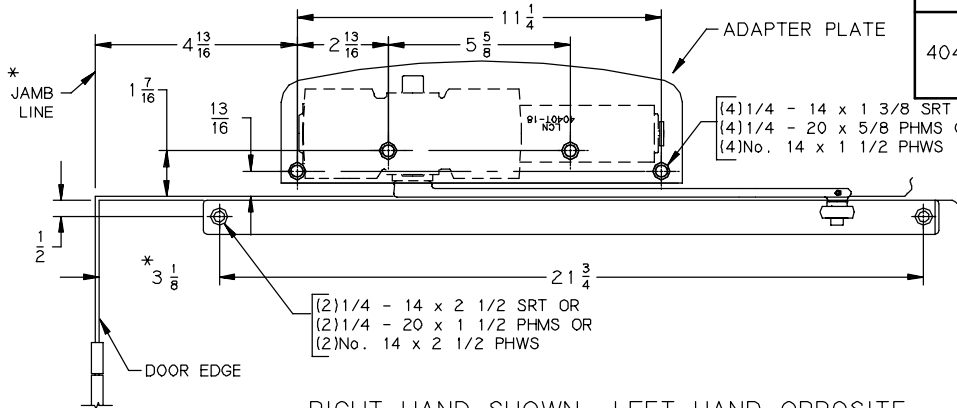
4041T } HOLD OPEN (85° TO 110°)
MAX. OPENING 120°



RIGHT HAND SHOWN, LEFT HAND OPPOSITE

TOP JAMB PULL SIDE MOUNTED ON 4041T-18

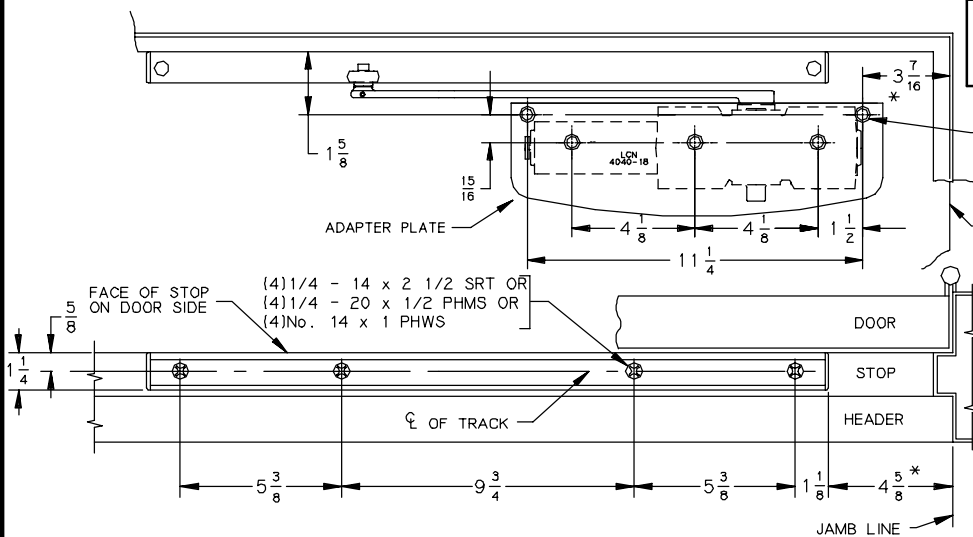
4041T } HOLD OPEN (85° TO 110°)
MAX. OPENING 180°



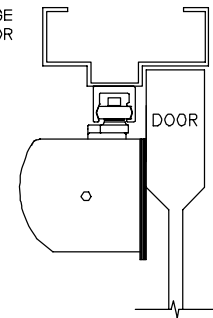
RIGHT HAND SHOWN, LEFT HAND OPPOSITE

PUSH SIDE MOUNTED ON 4041-18

4041T } HOLD OPEN (85° TO 110°)
MAX. OPENING 120°



MIN. TOP RAIL 2 1/8



RIGHT HAND SHOWN, LEFT HAND OPPOSITE

- GENERAL NOTES- * 1. LOCATE CLOSER & TRACK FROM CL OF PIVOT, IF USED.
2. REINFORCING PER ANSI/SDI-100 RECOMMENDED FOR HOLLOW METAL DOORS & FRAMES.
3. CLOSER SIZE IS 12 1/4 x 3 1/2 x 2 5/32 (2 3/8 WITH 4040 ADAPTER PLATE)

AUXILIARY STOP RECOMMENDED

INCH	1/4	3/8	1/2	5/8	13/16	7/8	15/16	1	1 1/8	1 1/4	1 7/16
M.M.	6	10	13	16	21	22	24	26	29	32	37
INCH	1 1/2	1 5/8	1 13/16	1 3/4	1 15/16	2 1/8	2 5/32	2 3/8	2 1/2	2 13/16	3 1/8
M.M.	38	41	46	45	49	54	55	60	64	72	80
INCH	3 7/16	3 1/2	4 1/8	4 5/8	4 13/16	5 3/8	5 5/8	9 3/4	11 1/4	12 1/4	21 3/4
M.M.	88	89	106	119	123	138	144	250	288	311	558

No.	REVISION	BY	DATE

LCN®

4041T SERIES CLOSER WITH TRACK
(CLOSER MOUNTED ON ADAPTER PLATE)

4041DS T DP

APP BY NJM 6/00
DO NOT SCALE