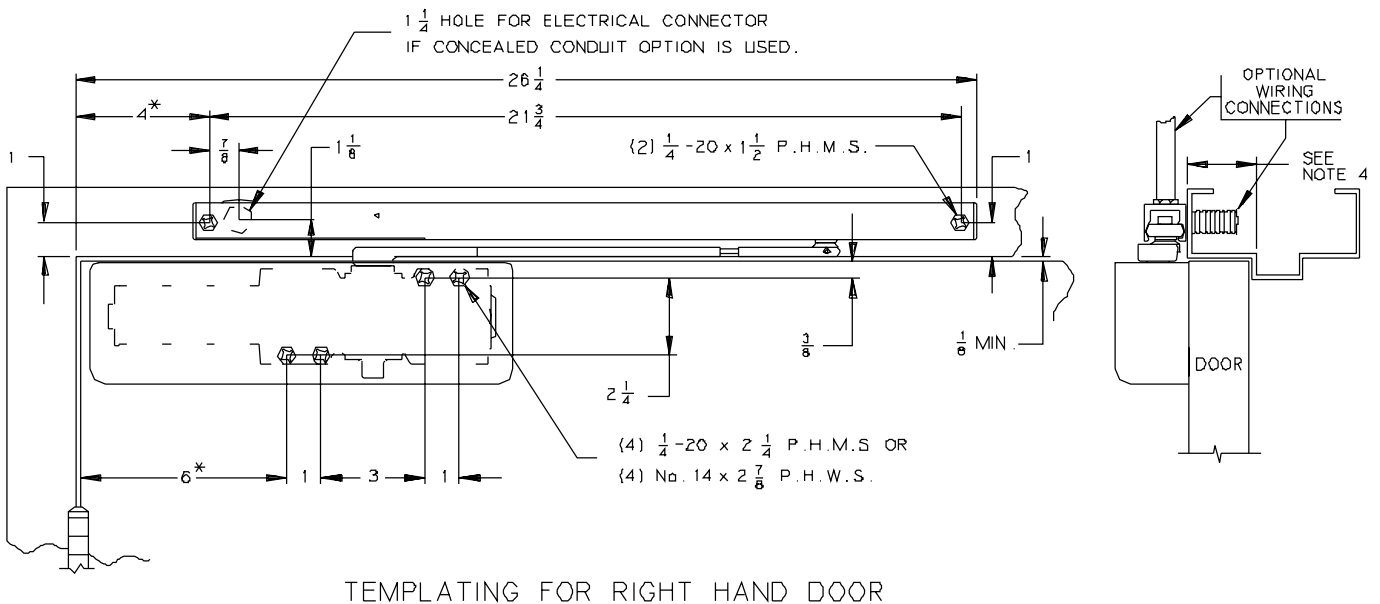
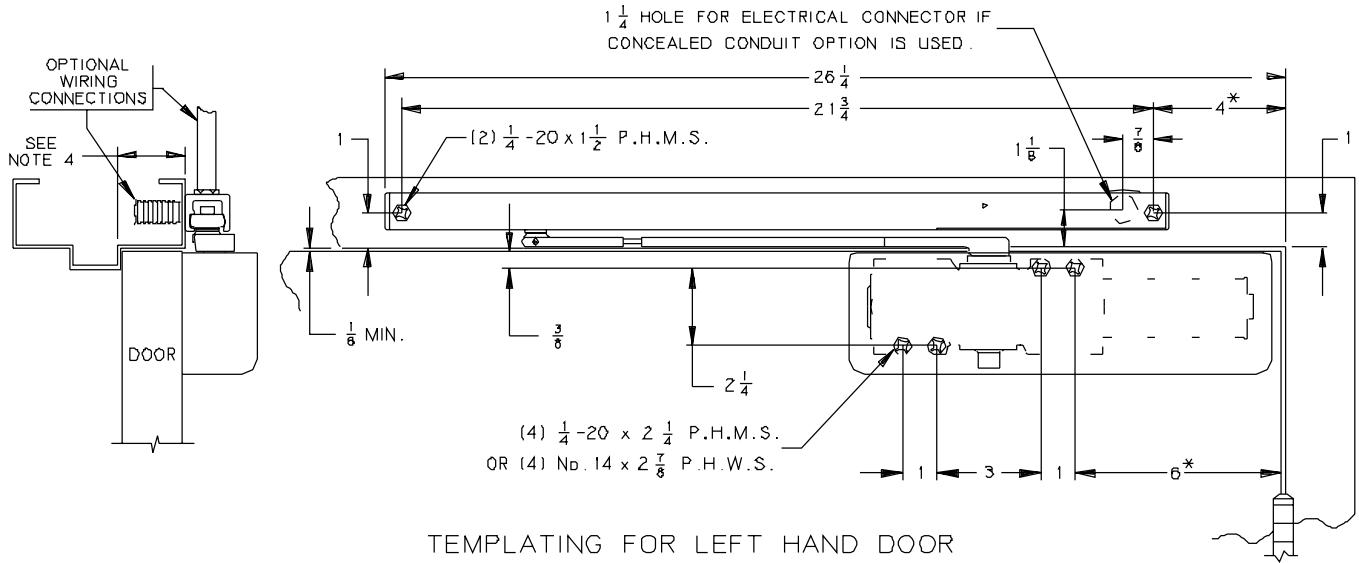


4040SE } 85° to 110° HOLD OPEN

AUXILIARY STOP RECOMMENDED

12/96



NOTES -

1. VOLTAGE SUPPLIED TO UNIT MUST MATCH VOLTAGE SHOWN ON SENTRONIC® LABEL.
- * 2. MOUNT CLOSER ON DOOR TO DIMENSIONS SHOWN. IF PIVOTS ARE USED, LOCATE CLOSER AND TRACK FROM CENTERLINE OF PIVOT POINT AND FOR OFFSET PIVOTS INCREASE THE MARKED DIMENSIONS BY 1/8.
3. AUXILIARY STOP IS RECOMMENDED.
4. IF THIS DIMENSION IS GREATER THAN 1 15/16, CONSULT FACTORY.
5. IF SWING CLEAR HINGES ARE USED, CONSULT FACTORY.
6. REINFORCING PER ANSI/SDI-100 IS RECOMMENDED FOR HOLLOW METAL DOORS AND FRAMES.
7. MAXIMUM BUTT HINGE SIZE 5x5.

INCH	1/8	1/4	3/8	7/8	1	1 1/8	1 1/4	1 1/2	1 15/16
M.M.	3	6	10	22	25	29	32	38	49

INCH	2 1/4	2 7/8	3	4	5	6	21 3/4	26 1/4
M.M.	57	73	76	102	127	152	552	667

No.	REVISION	BY	DATE

LCN®

DRW BY JTA 1/97
DO NOT SCALE

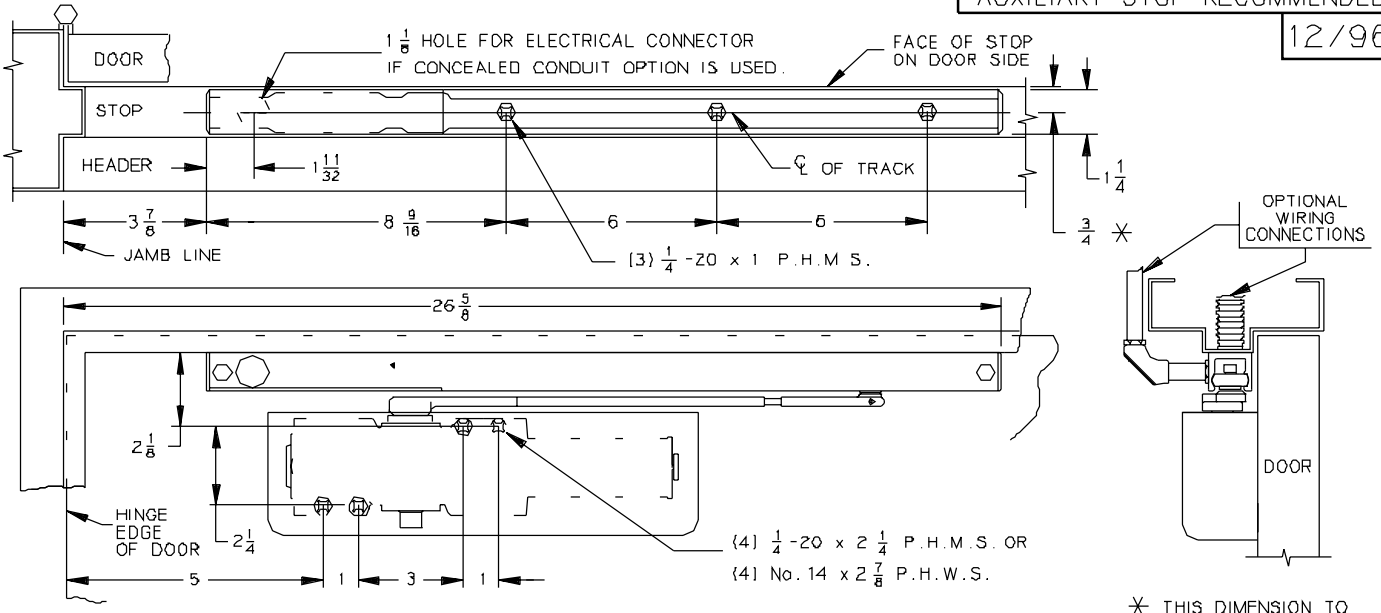
4040SE HINGE FACE MOUNTED
CLOSER WITH ELECTRONIC RELEASE

4040SE PULL SIDE
MOUNTING

4040SE } 85° to 110° HOLD OPEN

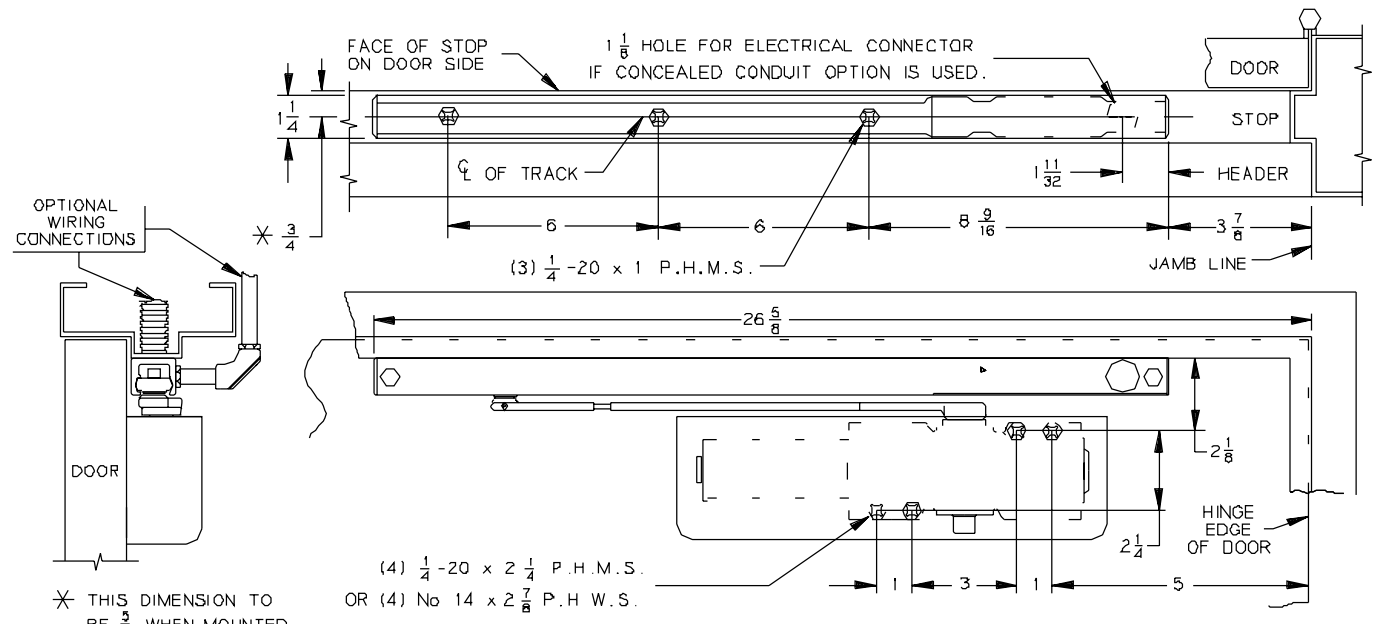
AUXILIARY STOP RECOMMENDED

12/96



TEMPLATING FOR LEFT HAND DOOR

* THIS DIMENSION TO BE 3/8 WHEN MOUNTED ON 1 1/4 WIDE STOP.



TEMPLATING FOR RIGHT HAND DOOR

NOTES -

1. VOLTAGE SUPPLIED TO UNIT MUST MATCH VOLTAGE SHOWN ON SENTRONIC[®] LABEL.
2. LOCATE CLOSER AND TRACK FROM THE ϕ OF PIVOT OR SWING CLEAR HINGE PIN, IF USED.
3. AUXILIARY STOP IS RECOMMENDED.
4. REINFORCING PER ANSI\SDI-100 IS RECOMMENDED FOR HOLLOW METAL DOORS AND FRAMES.
5. ELECTRICAL CONNECTOR PROVIDED BY LCN.
6. MAXIMUM BUTT HINGE SIZE 5x5.

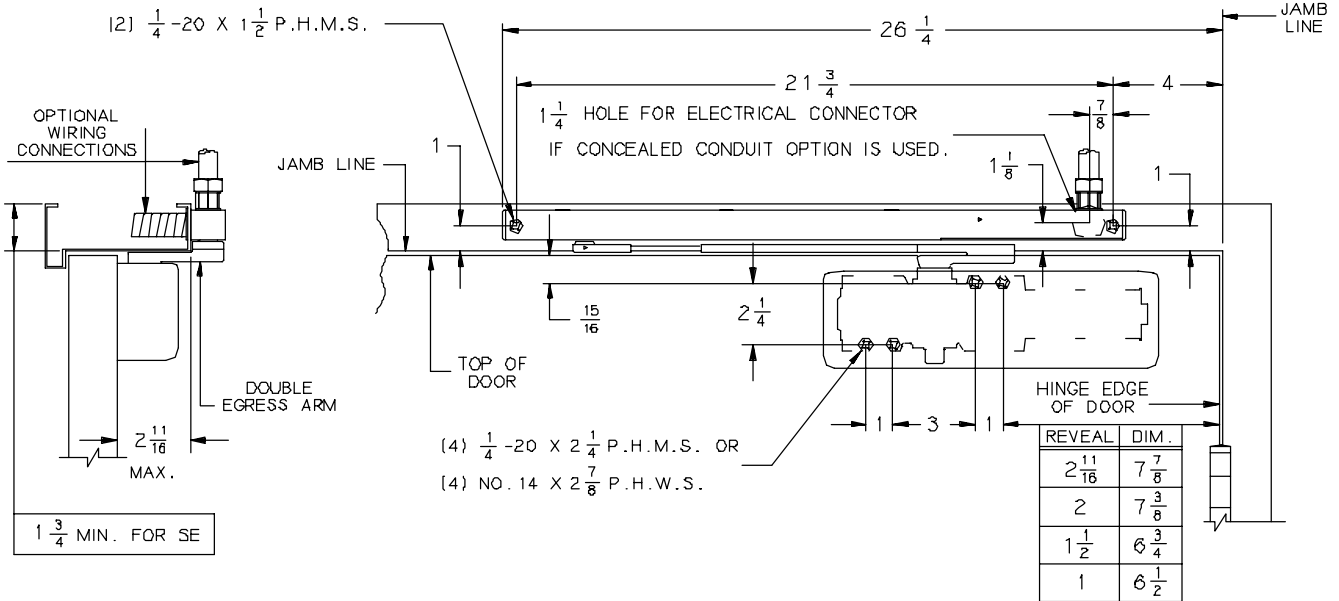
INCH	1/4	5/8	3/4	1	1 1/8	1 1/4	1 11/32	2 1/8
M.M.	6	16	18	25	29	32	34	54
INCH	2 1/4	2 7/8	3	3 7/8	5	6	8 9/16	26 5/8
M.M.	57	73	76	98	127	152	217	217

No.	REVISION	BY	DATE	LCN [®] 4040SE STOP-SIDE MOUNTED CLOSER WITH ELECTRONIC RELEASE 4040SE PUSH SIDE MOUNTING	DRW BY JTA 1/97 DO NOT SCALE

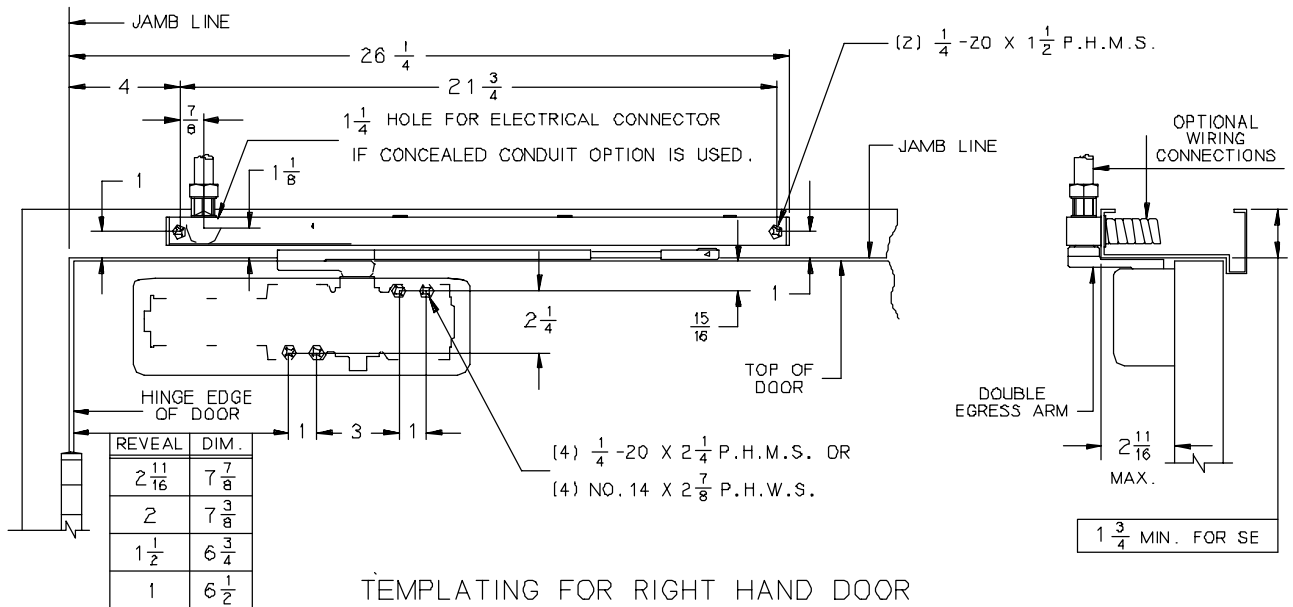
4040 SE DE UP TO 95° HOLD OPEN

AUXILIARY STOP RECOMMENDED

LEFT HAND AND RIGHT HAND
TEMPLATING SHOWN 12/96



TEMPLATING FOR LEFT HAND DOOR



TEMPLATING FOR RIGHT HAND DOOR

NOTES:

- 1 - VOLTAGE SUPPLIED MUST MATCH VOLTAGE SHOWN ON SENTRONIC® LABEL.
- 2 - IF DOOR IS HUNG ON PIVOTS OR SWING CLEAR HINGES, CONSULT FACTORY.
- 3 - FLOOR OR WALL STOPS MUST BE USED.
- 4 - FOR 7 1/4 OR LESS DOUBLE EGRESS FRAMES, REVEAL NOT TO EXCEED 2 11/16.
- 5 - 1/8" DOOR TO SOFFIT CLEARANCE REQUIRED.
- 6 - REINFORCING PER ANSI/SDI-100 RECOMMENDED FOR HOLLOW METAL DOORS AND FRAMES.
- 7 - MAXIMUM BUTT HINGE SIZE 5"x 5".

INCH	1/8	1/4	7/8	15/16	1	1 1/8	1 1/4	1 1/2
M.M.	3	6	22	24	25	29	32	38

INCH	1 3/4	2	2 1/4	2 11/16	2 7/8	3	4	5
M.M.	44	51	57	68	73	76	102	127

INCH	6 1/2	6 3/4	7 1/4	7 3/8	7 7/8	21 3/4	26 1/4
M.M.	165	171	184	187	200	552	667

No.	REVISION	BY	DATE
1	TEMPLATE UPDATE	JEJ	6/96
2	REMOVED SEC INFO	AMM	4/00

LCN®

APP BY JTA 1/97
DO NOT SCALE

4040 SERIES SENTRONIC FOR
DOUBLE EGRESS DOORS AND FRAMES

4040 SE-DE

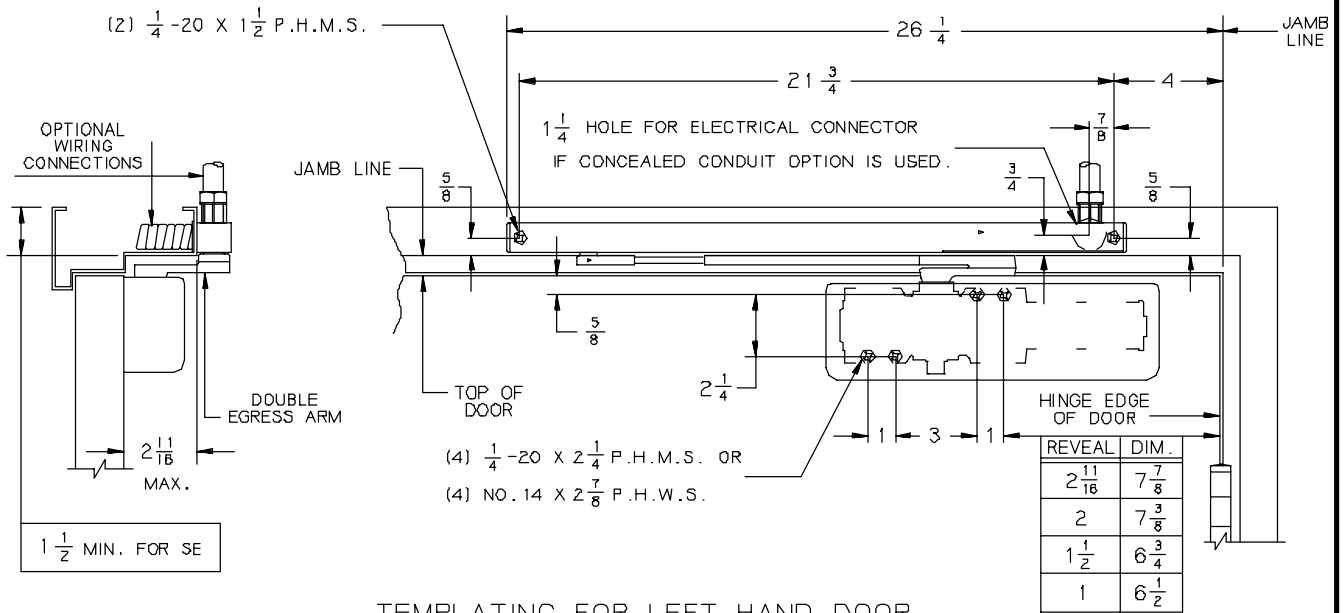
FOR 5/8" STEP-DOWN FRAMES

4040SE DE UP TO 95° HOLD OPEN

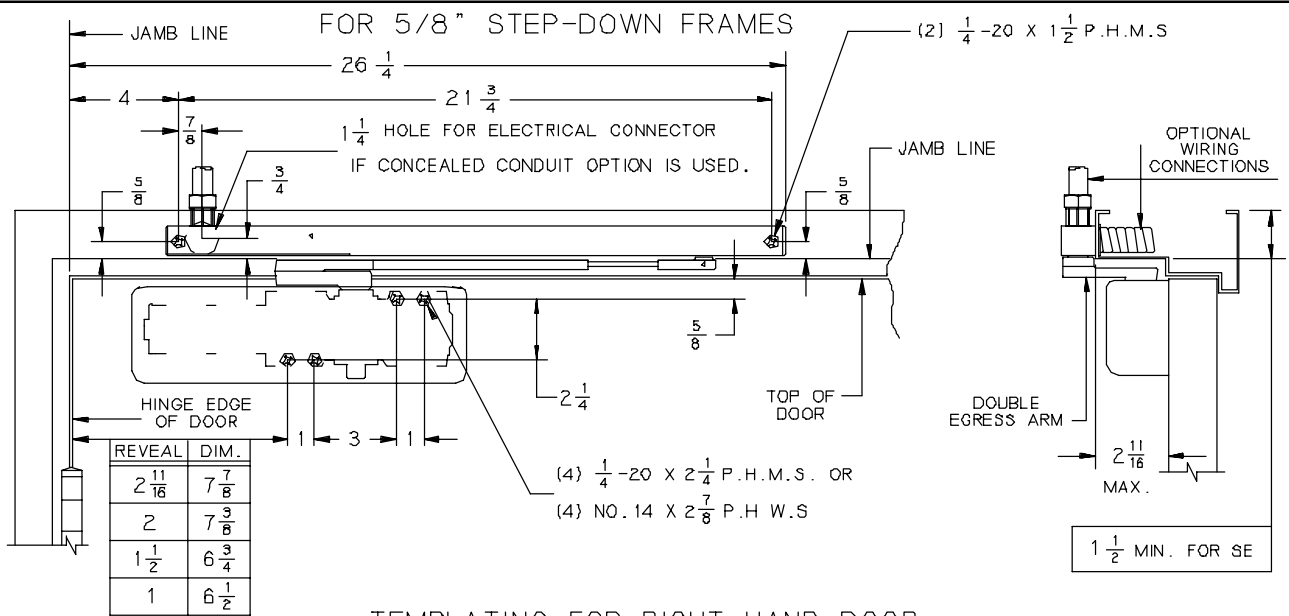
AUXILIARY STOP RECOMMENDED

LEFT HAND AND RIGHT HAND
TEMPLATING SHOWN

12/96



TEMPLATING FOR LEFT HAND DOOR



TEMPLATING FOR RIGHT HAND DOOR

NOTES:

- 1 - VOLTAGE SUPPLIED MUST MATCH VOLTAGE SHOWN ON SENTRONIC® LABEL.
- 2 - IF DOOR IS HUNG ON PIVOTS OR SWING CLEAR HINGES, CONSULT FACTORY.
- 3 - FLOOR OR WALL STOPS MUST BE USED.
- 4 - FOR 7 1/4 OR LESS DOUBLE EGRESS FRAMES, REVEAL NOT TO EXCEED 2 11/16.
- 5 - 1/8" DOOR TO SOFFIT CLEARANCE REQUIRED.
- 6 - REINFORCING PER ANSI/SDI-100 RECOMMENDED FOR HOLLOW METAL DOORS AND FRAMES.
- 7 - MAXIMUM BUTT HINGE SIZE 5" x 5".

INCH	1/8	1/4	5/8	3/4	7/8	1	1 1/4	1 1/2
M.M.	3	6	16	19	22	25	32	38

INCH	1 3/4	2	2 1/4	2 11/16	2 7/8	3	4	5
M.M.	44	51	57	68	73	76	102	127

INCH	6 1/2	6 3/4	7 1/4	7 3/8	7 7/8	21 3/4	26 1/4
M.M.	165	171	184	187	200	552	667

No.	REVISION	BY	DATE
1	TEMPLATE UPDATE	J.E.J.	6/96
2	REMOVED SEC INFO	AMM	4/00

LCN®

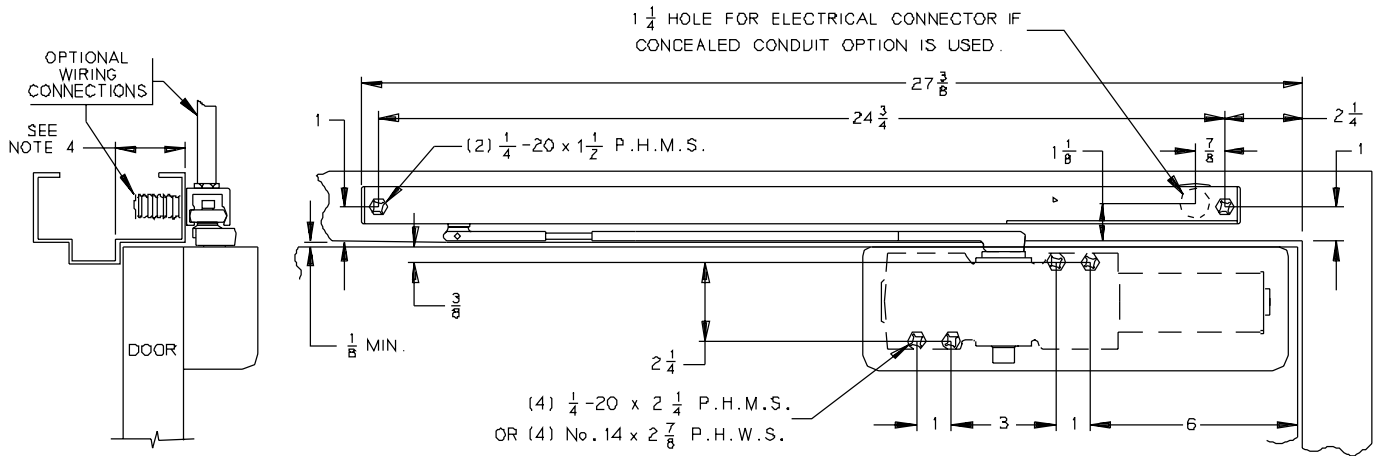
APP BY JTA 1/97
DO NOT SCALE

4040 SERIES SENTRONIC CLOSER
FOR USE WITH DOUBLE EGRESS FRAMES
4040SE-DE-S 5/8 STEPDOWN

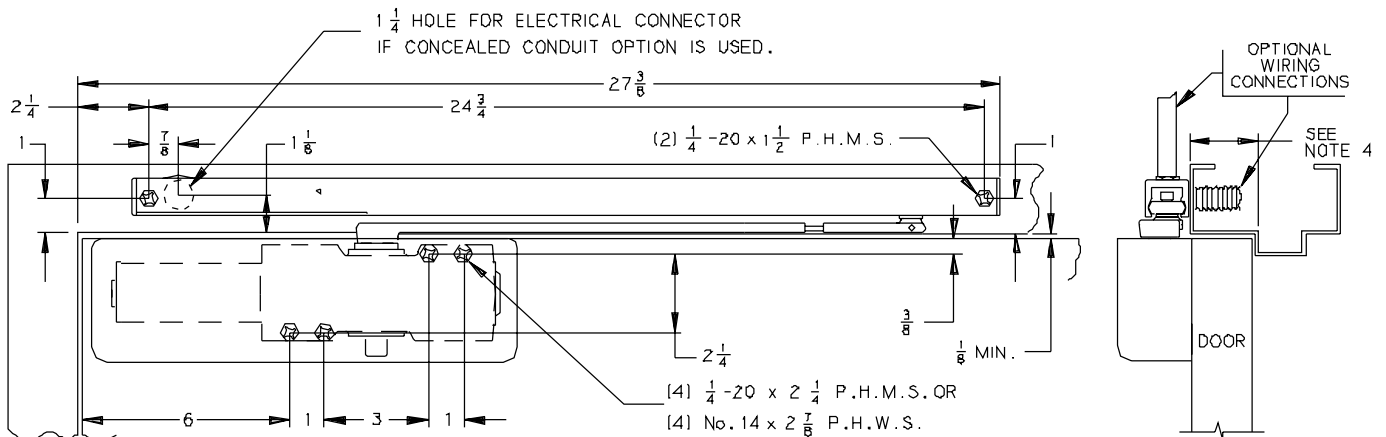
4040SEL } 90° TO 120° HOLD OPEN

AUXILIARY STOP RECOMMENDED

2/98



TEMPLATING FOR LEFT HAND DOOR



TEMPLATING FOR RIGHT HAND DOOR

- NOTES: 1. VOLTAGE SUPPLIED TO UNIT MUST MATCH VOLTAGE SHOWN ON SENTRONIC LABEL.
2. IF DOOR IS HUNG ON PIVOTS: LOCATE CLOSER AND TRACK FROM PIVOT POINT ON CENTER PIVOTS. FOR OFFSET PIVOTS, LOCATE FROM PIVOT POINT AND ADD 3/8".
3. FLOOR OR WALL STOPS SHOULD BE USED.
4. IF THIS DIMENSION IS GREATER THAN 1 15/16", CONSULT FACTORY.
5. REINFORCING PER ANSI/SDI-100 RECOMMENDED FOR HOLLOW METAL DOORS & FRAMES.
6. IF SWING CLEAR HINGES ARE BEING USED, CONSULT FACTORY.
7. MAXIMUM BUTT HINGE SIZE IS 5" x 5".

INCH.	1/8	1/4	3/8	7/8	15/16	1	1 1/16	1 1/8
M.M.	3	6	10	22	24	25	27	29

INCH.	1 1/2	1 15/16	2 1/4	2 7/8	3	3 1/4	6	24 3/4	27 3/8
M.M.	38	49	57	73	76	83	152	619	695

No.	REVISION	BY	DATE	LCN [®]	DRW BY CTB 1/94
					DO NOT SCALE
				4040SEL HINGE FACE MOUNTED CLOSER WITH ELECTRONIC RELEASE	
				4040SEL	PULL SIDE MOUNTING

