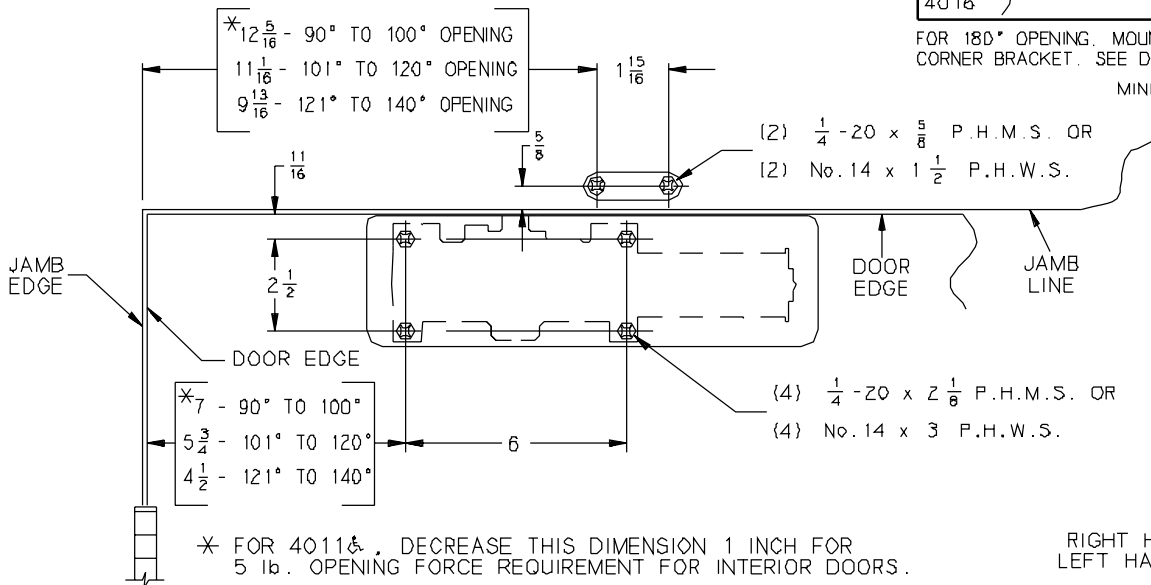


DOOR MOUNTING APPLIES TO

- 4011 &
 - 4012
 - 4013
 - 4014
 - 4015
 - 4016
- NON HOLD OPEN (90°-140°)
H9D - (90°-140° HOLD OPEN)
DELAYED ACTION 4011 - 4015

FOR 180° OPENING, MOUNT CLOSER ON No. 11 CORNER BRACKET. SEE DRAWING 4010-CB.

MINIMUM TOP RAIL 3 3/4"



* FOR 4011 &, DECREASE THIS DIMENSION 1 INCH FOR 5 lb. OPENING FORCE REQUIREMENT FOR INTERIOR DOORS.

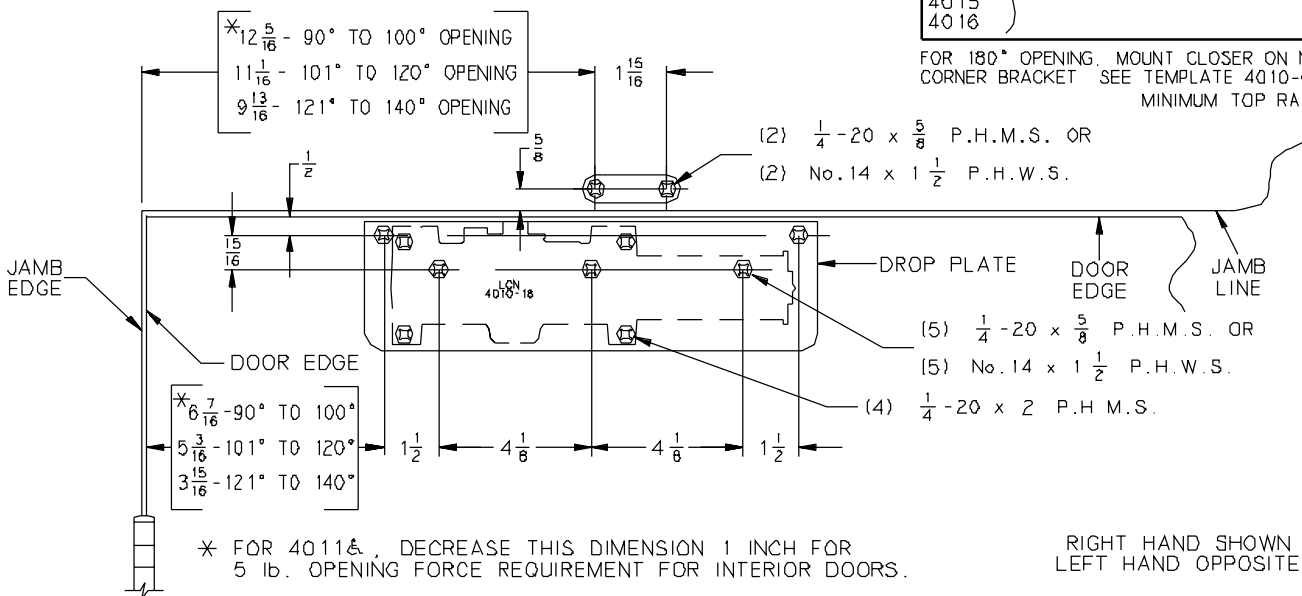
RIGHT HAND SHOWN
LEFT HAND OPPOSITE

No. 18 DROP PLATE APPLIES TO

- 4011 &
 - 4012
 - 4013
 - 4014
 - 4015
 - 4016
- NON HOLD OPEN (90°-140°)
H9D - (90°-140° HOLD OPEN)
DELAYED ACTION 4011 - 4015

FOR 180° OPENING, MOUNT CLOSER ON No. 11 CORNER BRACKET. SEE TEMPLATE 4010-CB.

MINIMUM TOP RAIL 2"



* FOR 4011 &, DECREASE THIS DIMENSION 1 INCH FOR 5 lb. OPENING FORCE REQUIREMENT FOR INTERIOR DOORS.

RIGHT HAND SHOWN
LEFT HAND OPPOSITE

GENERAL NOTES-

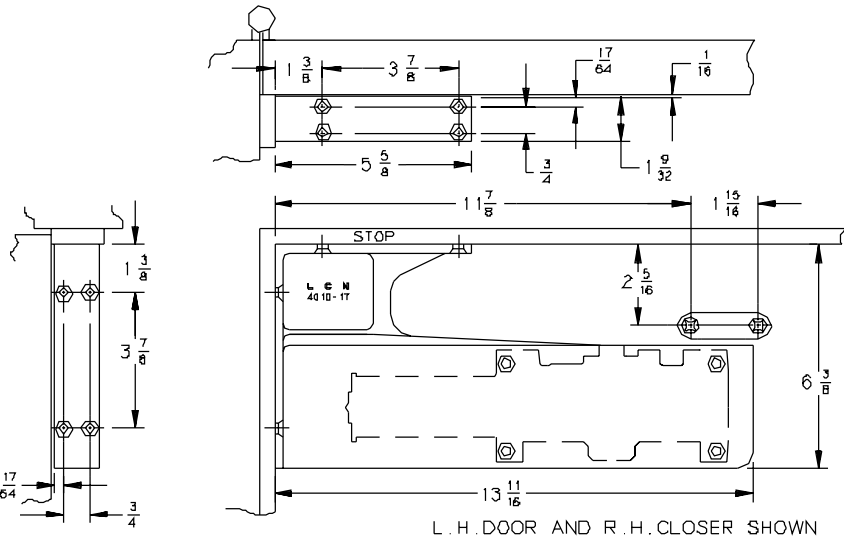
1. CLOSER SIZE: 12 1/4 x 3 1/2 x 2 5/32 12 3/8 WITH DROP PLATE.
2. LOCATE CLOSER & SHOE FROM C OF PIVOT OR SWING CLEAR HINGE PIN IF USED.
3. DELAY ACTION OPTIONAL
4. AUXILIARY STOP RECOMMENDED AT MAXIMUM OPENING OR MAXIMUM HOLD-OPEN.
5. REINFORCING PER ANSI/SDI-100 RECOMMENDED FOR HOLLOW METAL DOORS AND FRAMES.

| | | | | | | | | | |
|------|--------|--------|-------|--------|-------|---------|---------|---------|---------|
| INCH | 1/4 | 1/2 | 5/8 | 11/16 | 15/16 | 1 | 1 1/2 | 1 15/16 | 2 |
| M.M. | 6 | 13 | 16 | 18 | 24 | 25 | 38 | 49 | 51 |
| INCH | 2 1/8 | 2 5/32 | 2 3/8 | 2 1/2 | 3 | 3 1/2 | 3 15/16 | 4 1/8 | 4 1/2 |
| M.M. | 54 | 55 | 60 | 64 | 76 | 89 | 100 | 105 | 114 |
| INCH | 5 3/16 | 5 3/4 | 6 | 6 7/16 | 7 | 9 13/16 | 11 1/16 | 12 1/4 | 12 5/16 |
| M.M. | 132 | 146 | 152 | 164 | 178 | 249 | 281 | 311 | 313 |

| | | | | | |
|-----|------------------|-----|------|---|--------------------|
| No. | REVISION | BY | DATE | | APP BY JEJ 6/96 |
| 5 | TEMPLATE UPDATE | JEJ | 6/96 | | DO NOT SCALE |
| 6 | REMOVE F.L. NOTE | CTB | 4/97 | | |
| | | | | SMOOTHER CLOSER ON DOOR AND ON A No. 18 DROP PLATE | |
| | | | | 4010/4011 & | |

NO. 17 BRACKET APPLIES TO

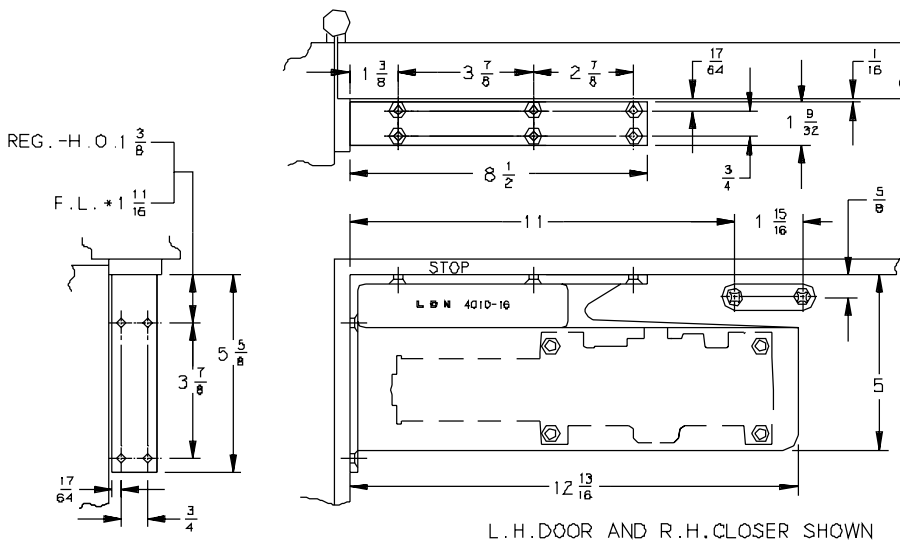
- 4011
- 4012 } NON HOLD OPEN (90°-110°)
- 4013 } FOR USE WHERE CERTAIN TYPES OF
- 4014 } AUXILIARY OVERHEAD STOP OR
- 4015 } HOLDING DEVICES ARE EMPLOYED
- 4016



L.H. DOOR AND R.H. CLOSER SHOWN

NO. 16 BRACKET APPLIES TO

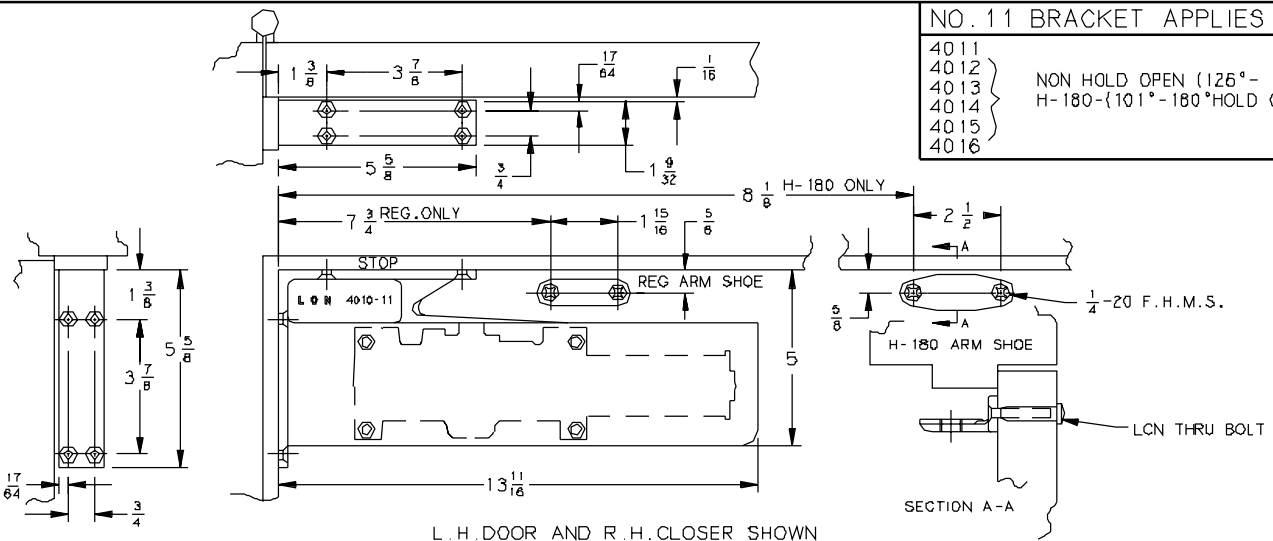
- 4011
- 4012 } NON HOLD OPEN (90°-125°)
- 4013 } H-90 -(90°-100°)HOLD OPEN)
- 4014 } FL -(90°-100°)HOLD OPEN)
- 4015
- 4016



L.H. DOOR AND R.H. CLOSER SHOWN

NO. 11 BRACKET APPLIES TO

- 4011
- 4012 } NON HOLD OPEN (126°- 180°)
- 4013 } H-180-(101°-180°)HOLD OPEN)
- 4014
- 4015
- 4016



L.H. DOOR AND R.H. CLOSER SHOWN

GENERAL NOTES- 1. MOUNTING SCREWS NO. 14 P.H.W S. OR 1/4-20 P.H.M.S.
2. DELAYED ACTION CLOSER AVAILABLE 4011 THRU 4015

| | | | | | | | | |
|------|------|-----|-------|------|-------|-----|-----|--------|
| INCH | 1/16 | 1/4 | 17/64 | 5/16 | 13/32 | 5/8 | 3/4 | 1 9/32 |
| M.M. | 2 | 6 | 7 | 8 | 10 | 16 | 19 | 33 |

| | | | | | | | | |
|------|-------|---------|---------|--------|-------|-------|-------|-----|
| INCH | 1 3/8 | 1 11/16 | 1 15/16 | 2 5/16 | 2 1/2 | 2 7/8 | 3 7/8 | 5 |
| M.M. | 35 | 43 | 49 | 59 | 64 | 73 | 98 | 127 |

| | | | | | | | | | |
|------|-------|-------|-------|-------|-------|-----|--------|----------|----------|
| INCH | 5 5/8 | 6 3/8 | 7 3/4 | 8 1/8 | 8 1/2 | 11 | 11 7/8 | 12 13/16 | 13 11/16 |
| M.M. | 143 | 162 | 197 | 206 | 216 | 279 | 302 | 325 | 348 |

| No. | REVISION | BY | DATE |
|-----|-----------------|-----|------|
| 3 | TEMPLATE UPDATE | JEJ | 6/96 |

LCN®
SMOOTHEE CLOSER ON NO. 11, NO. 16
OR NO. 17 CORNER BRACKET
4010/4011-CB

APP BY JEJ 6/96
DO NOT SCALE