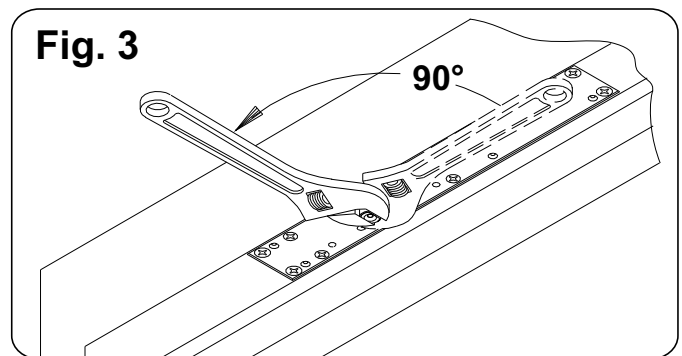
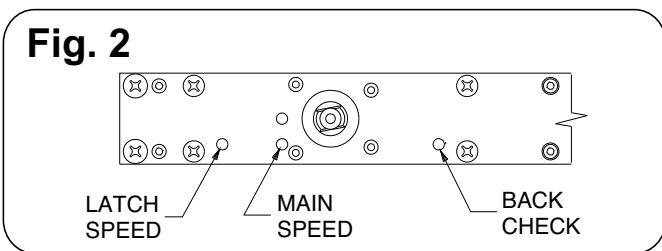
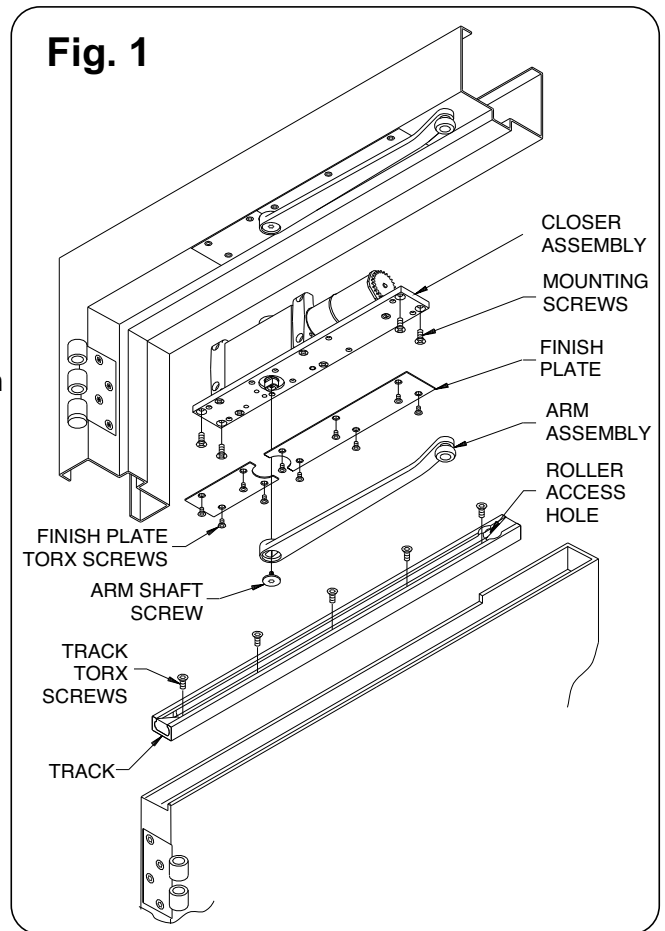


INSTALLATION INSTRUCTIONS FOR 2210 SERIES DOOR CLOSERS

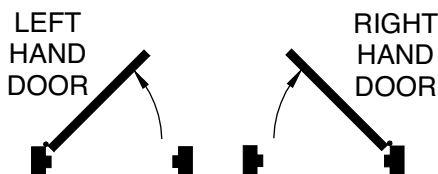


INSTALLATION

1. Make sure hand of closer matches hand of door. Remove finish plates. Hand of closer is printed on the mounting plate label. Hand of closer **cannot** be reversed. See diagram above to determine hand of door.
2. Prepare and mortise door & frame per template on pg. 4.
3. Install closer in prepared headframe, as shown in **Fig. 1**, with spring tube pointing away from hinge. Fasten mounting plate to jamb with 1/4 - 20 x 5/8 PHMS provided.
4. Install track in door. Roller access hole must be toward latch edge of door, as shown in **Fig. 1**. Fasten with 1/4 - 20 x 1/2 TORX MS provided.
5. Connect arm assembly to track by placing plastic roller at end of arm into the roller access hole in track. See **Fig. 1**. Let arm assembly rest on top of installed track.
6. To attach arm to closer:
 - 6A. Open door out of working area.
 - 6B. With 3/32 allen wrench, turn latch & main speed regulating screws all the way in (clockwise). See **Fig. 2. DO NOT FORCE SCREWS.**
 - 6C. Using an adjustable wrench, rotate door closer shaft approximately 90°. See **Fig. 3.** (R.H. - clockwise / L.H. - counterclockwise).



HOW TO TELL HAND OF DOOR



CAUTION
IMPROPER INSTALLATION OR REGULATION
MAY RESULT IN PERSONAL INJURY OR
PROPERTY DAMAGE. FOLLOW ALL
INSTRUCTIONS CAREFULLY. FOR
QUESTIONS CONTACT LCN CLOSERS
800-526-2400

6. Continued:

6D. With closer shaft now stationary, move the end of the arm to shaft of closer. Slowly move door so hole in arm lines up correctly with closer shaft. Push arm up into position and insert arm shaft screw, as shown in **Fig. 4**.

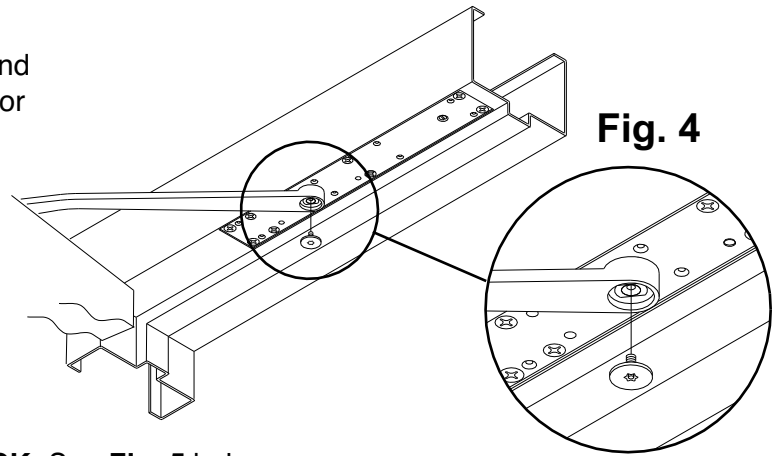


Fig. 4

7. TO REGULATE CLOSING SPEED & BACKCHECK: See **Fig. 5** below

Use 3/32 allen wrench provided to re-adjust MAIN & LATCH speed screws (closed in step 7A). Turn both MAIN & LATCH speed screws 2 full turns counterclockwise. Open door and observe closing cycle. A normal closing time from a 90° position is 5 to 7 seconds, equally divided between MAIN & LATCH speeds. If further adjustment is required, turn regulating screws clockwise to SLOW door speed / counterclockwise to INCREASE door speed. BACKCHECK is a feature that slows the speed of door at approximately 70°. To INCREASE force turn BACKCHECK screw clockwise. To REDUCE force turn BACKCHECK screw counterclockwise. **Do not use an abrupt BACKCHECK setting, nor expect closer to act as a door stop!**

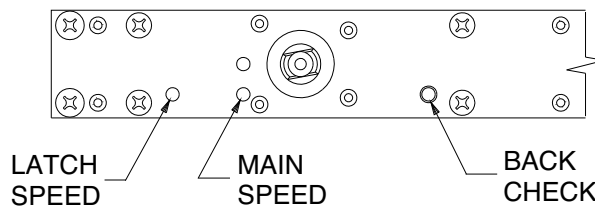
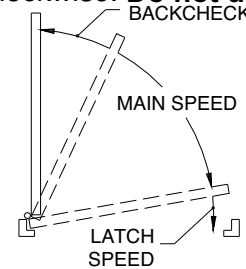


Fig. 5



8. CLOSING POWER ADJUSTMENT: Depending on width of door, the 2210 has been ordered as one of three sizes: 2213, 2214 or 2215. Determine closer size from either label on box or UL label on mounting plate. Adjustment can be made with a flat head screwdriver (see **Fig. 6**). Adjustment range for each size is as follows:

2213: Closer is shipped at minimum closing power. If **MORE** closing power is required, turn adjusting screw **counterclockwise**, but not more than 36 full turns. **Do not** turn adjusting screw clockwise.

2214: If **MORE** power is required, turn adjusting screw **counterclockwise**, but not more than 18 full turns. If **LESS** power is required, turn adjusting screw **clockwise**, but not more than 18 full turns. **Do not** turn adjusting screw more than 18 full turns in either direction.

2215: Closer is shipped at maximum closing power. If **LESS** power is required, turn adjusting screw **clockwise**, but not more than 36 full turns. **Do not** turn adjusting screw counterclockwise.

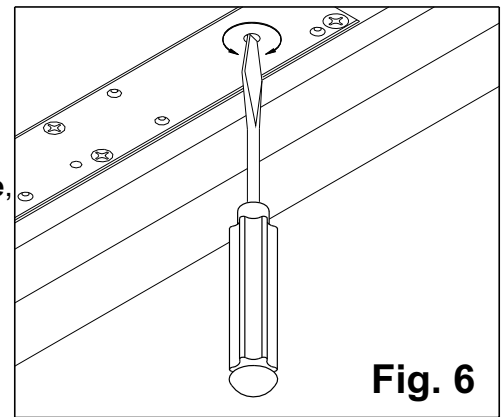


Fig. 6

9. Once proper operation has been verified, secure finish plates with No. 10-24 x 3/8" Torx security screws, as shown in **Fig. 7**.

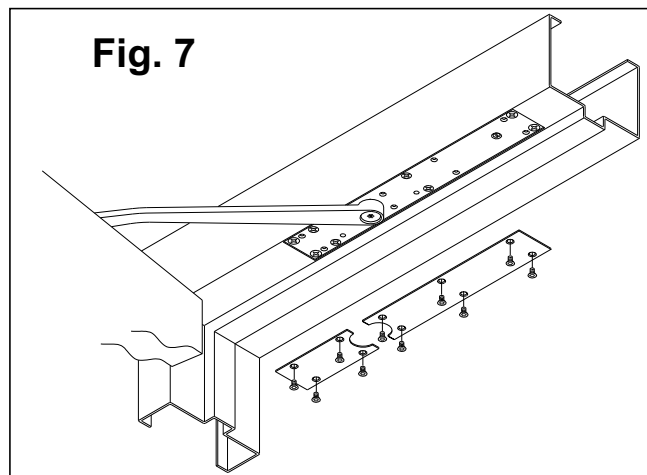
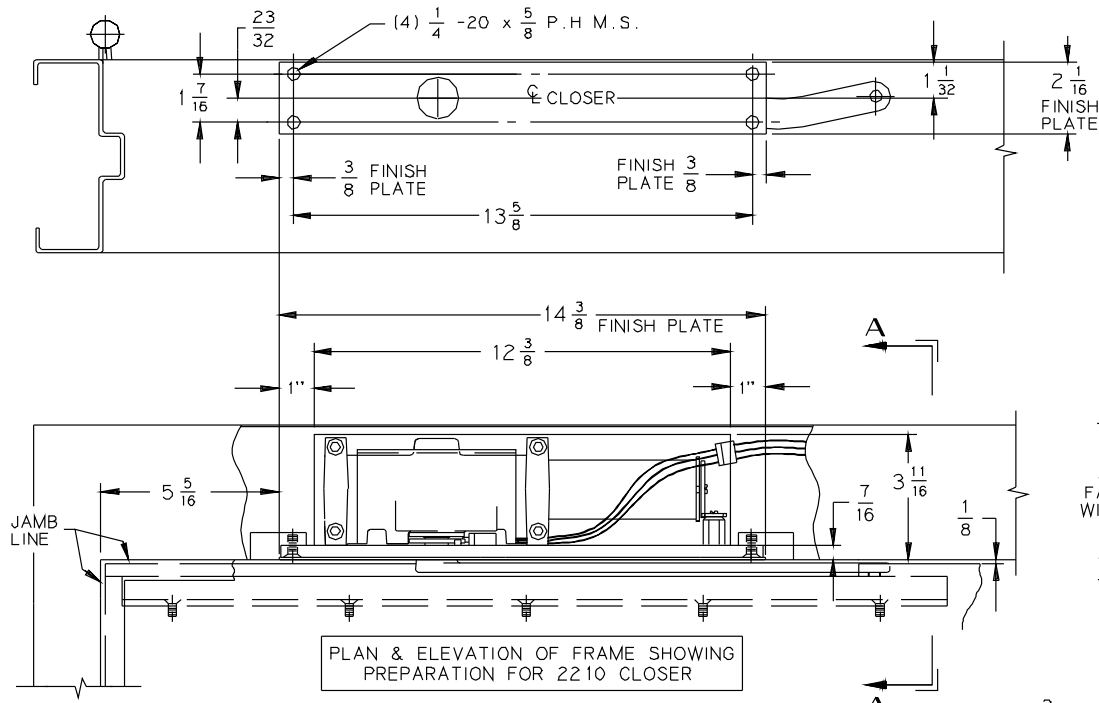


Fig. 7

22 10/22 10DPS -THRU 180° OPENING

AUXILIARY STOP RECOMMENDED

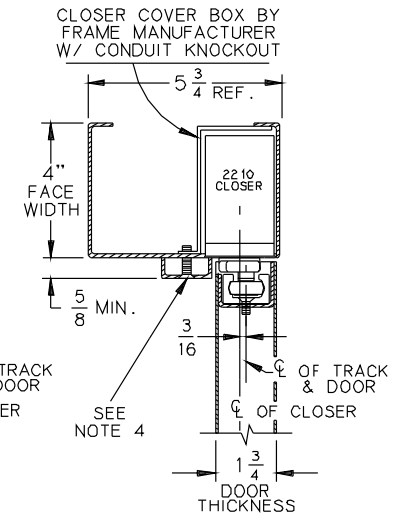
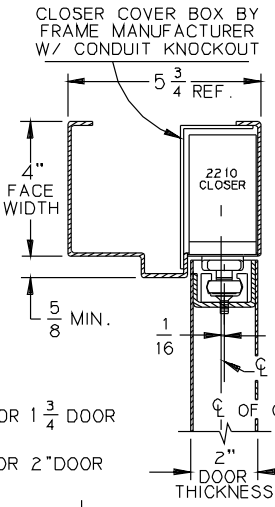
LEFT HAND DOOR AND CLOSER SHOWN. RIGHT HAND OPPOSITE **6/96**



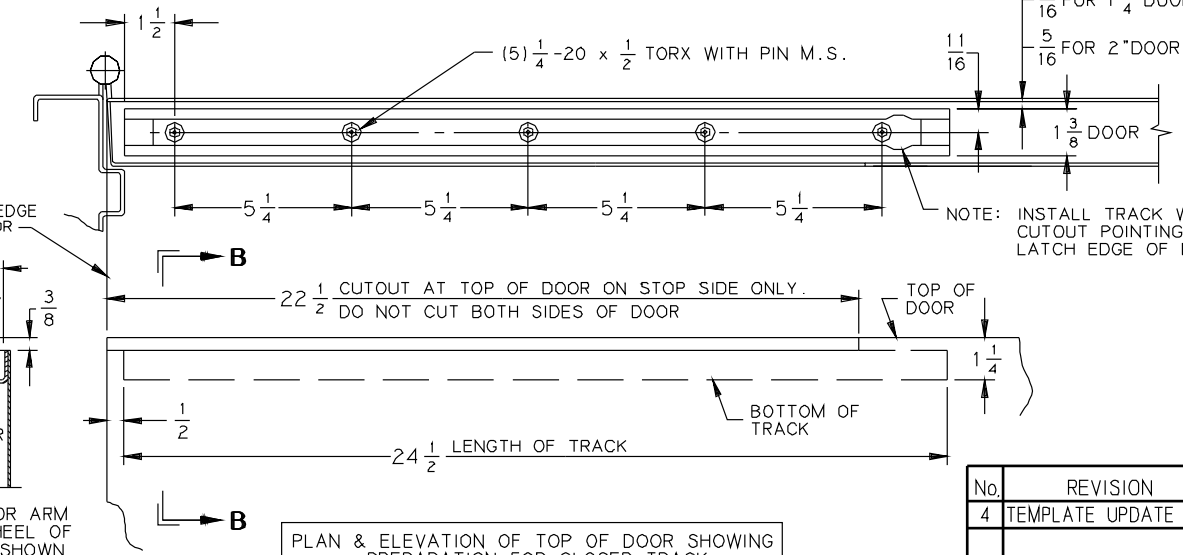
PLAN & ELEVATION OF FRAME SHOWING PREPARATION FOR 22 10 CLOSER

GENERAL NOTES-

- 1 - FOR 180° OPENINGS, MAXIMUM ALLOWABLE BUTT SIZE IS 4 1/2" x 4 1/2". OPEN WIDTH.
- 2 - MINIMUM STOP THICKNESS 5/8".
- 3 - 1/8" DOOR TO SOFFIT CLEARANCE REQUIRED.
- 4 - RECOMMEND CASED FRAME AND APPLIED STOP FOR 1 3/4" DOOR, MOUNT APPLIED STOP WITH TORX WITH PIN MACHINE SCREWS.
- 5 - THIS TEMPLATE SHOWS A 4" FACE WIDTH FRAME HEAD WITH A 2" AND 1 3/4" DOOR THICKNESS ANY OTHER DEVIATION CONSULT FACTORY.
- 6 - REINFORCING PER ANSI/SDI-100 RECOMMENDED FOR HOLLOW METAL DOOR AND FRAMES.



SECTION A - A



PLAN & ELEVATION OF TOP OF DOOR SHOWING PREPARATION FOR CLOSER TRACK

SECTION B - B

AUXILIARY STOP RECOMMENDED

INCH	1/16	1/8	3/16	1/4	5/16	3/8	7/16	1/2	5/8	11/16
M.M.	2	3	5	6	8	10	11	13	16	17
INCH	23/32	1	1 1/32	1 1/4	1 7/16	1 1/2	1 3/4	2	2 1/16	3 1/16
M.M.	18	25	26	32	37	38	45	51	52	94
INCH	4	4 1/2	5 1/4	5 5/8	5 3/4	12 3/8	13 5/8	14 3/8	22 1/2	24 1/2
M.M.	102	114	133	135	146	314	346	365	572	622

No.	REVISION	BY	DATE
4	TEMPLATE UPDATE	JEJ	6/96

IR LCN
APP BY JEJ 6/96
DO NOT SCALE

OVERHEAD CONCEALED CLOSER WITH CONCEALED ARM (WITH OR WITHOUT DOOR POSITION SWITCH)

22 10/22 10DPS