

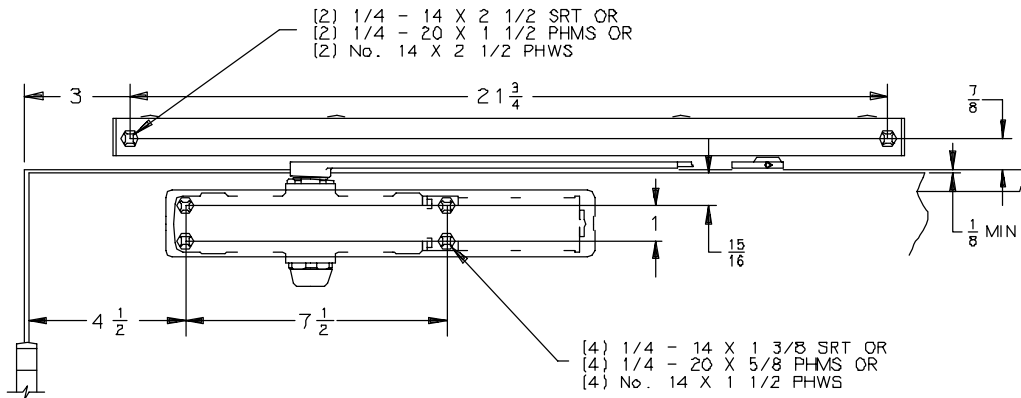
PULL SIDE MOUNTED ON DOOR

1460 T } MAXIMUM OPENING 180°  
 1461 T } H.O. 90° - 115°

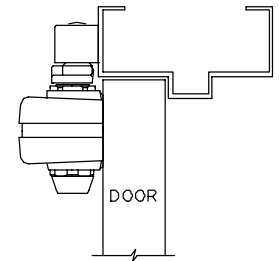
AUXILIARY STOP RECOMMENDED

RIGHT HAND SHOWN  
 LEFT HAND OPPOSITE

12/96



MINIMUM DOOR TOP RAIL 2 1/2

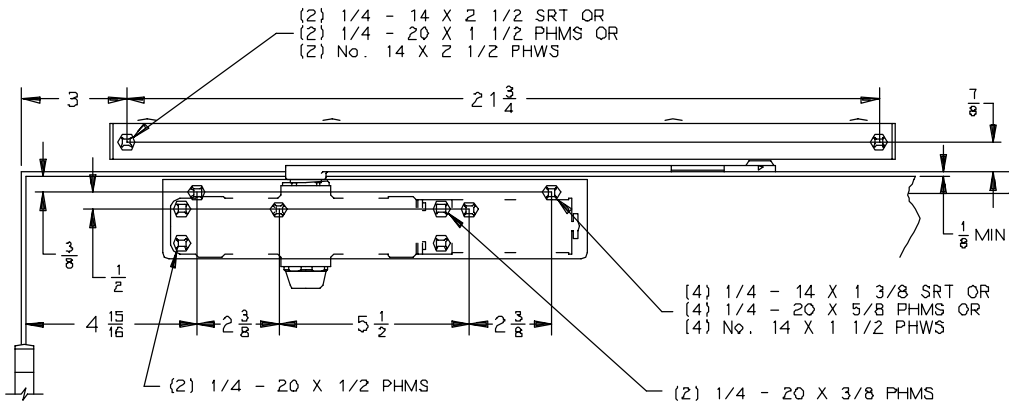


PULL SIDE MOUNTED ON 1461-18 DROP PLATE

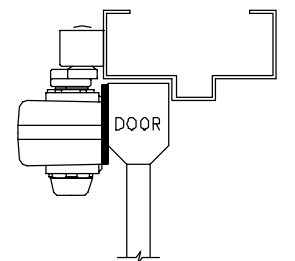
1460 T DP } MAXIMUM OPENING 180°  
 1461 T DP } H.O. 90° - 115°

AUXILIARY STOP RECOMMENDED

RIGHT HAND SHOWN  
 LEFT HAND OPPOSITE



MINIMUM DOOR TOP RAIL 1 1/2



GENERAL NOTES-

1. LOCATE CLOSER & TRACK FROM  $\mathcal{C}$  OF PIVOT OR SWING - CLEAR HINGE PIN, IF USED.
2. IF BUTT, FRAME AND WALL CONDITIONS PERMIT, PULL SIDE MOUNTINGS ALLOW 180° OF OPENING.
3. OPTIONAL HOLD - OPEN AVAILABLE.
4. REINFORCING PER ANSI/SDI-100 RECOMMENDED FOR HOLLOW METAL DOORS AND FRAMES.
5. CLOSER SIZE IS 12 3/4 x 2 x 2 3/8 .
6. MAXIMUM BUTT SIZE 5 x 5.

|      |       |       |     |       |         |     |       |       |        |        |
|------|-------|-------|-----|-------|---------|-----|-------|-------|--------|--------|
| INCH | 1/8   | 1/4   | 3/8 | 1/2   | 5/8     | 7/8 | 15/16 | 1     | 1 1/2  | 2      |
| M.M. | 3     | 6     | 10  | 13    | 16      | 22  | 24    | 25    | 38     | 51     |
| INCH | 2 3/8 | 2 1/2 | 3   | 4 1/2 | 4 15/16 | 5   | 5 1/2 | 7 1/2 | 12 3/4 | 21 3/4 |
| M.M. | 60    | 64    | 76  | 114   | 125     | 127 | 140   | 191   | 324    | 552    |

| No. | REVISION        | BY  | DATE |
|-----|-----------------|-----|------|
| 2   | TEMPLATE UPDATE | JEJ | 6/96 |
| 3   | SCREW CALL OUTS | AMM | 4/20 |

**LCN**®

APP BY JEJ 6/96  
 DO NOT SCALE

NON-HANDED TRACK CLOSER  
 (PULL SIDE MOUNTED ON DOOR)

1460/1461 T (PULL SIDE)

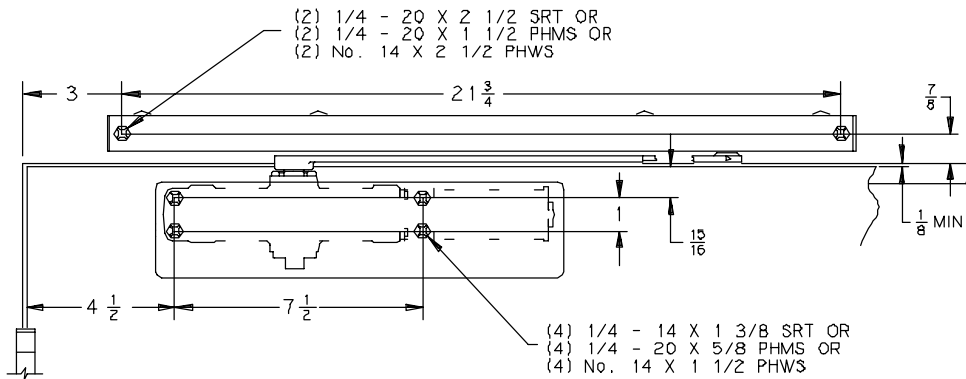
PULL SIDE MOUNTED ON DOOR

1460T FC } MAXIMUM OPENING 180°  
1461T FC } H.O. 90° - 115°

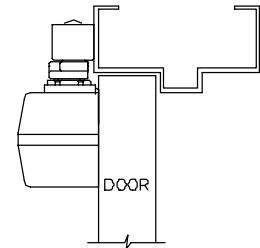
AUXILIARY STOP RECOMMENDED

RIGHT HAND SHOWN  
LEFT HAND OPPOSITE

12/96



MINIMUM DOOR TOP RAIL 2 1/2

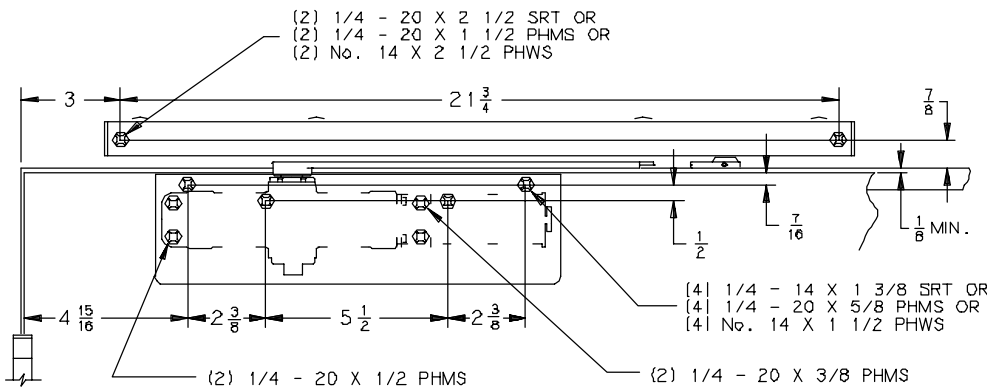


PULL SIDE MOUNTED ON 1461-18 DROP PLATE

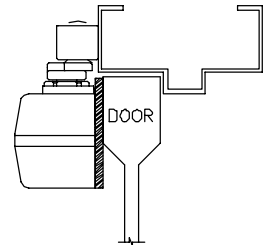
1460T FC DP } MAXIMUM OPENING 180°  
1461T FC DP } H.O. 90° - 115°

AUXILIARY STOP RECOMMENDED

RIGHT HAND SHOWN  
LEFT HAND OPPOSITE



MINIMUM DOOR TOP RAIL 1 1/2



GENERAL NOTES-

1. LOCATE CLOSER & TRACK FROM  $\phi$  OF PIVOT OR SWING - CLEAR HINGE PIN, IF USED.
2. IF BUTT, FRAME AND WALL CONDITIONS PERMIT, PULL SIDE MOUNTINGS ALLOW 180° OF OPENING.
3. OPTIONAL HOLD - OPEN AVAILABLE
4. REINFORCING PER ANSI/SDI-100 RECOMMENDED FOR HOLLOW METAL DDORS AND FRAMES.
5. CLOSER SIZE IS 12  $\frac{3}{4}$  x 2  $\frac{3}{4}$  x 3.
6. MAXIMUM BUTT SIZE 5 x 5.

|      |     |       |       |        |        |     |       |         |
|------|-----|-------|-------|--------|--------|-----|-------|---------|
| INCH | 1/8 | 1/4   | 3/8   | 1/2    | 7/16   | 5/8 | 7/8   | 15/16   |
| M.M. | 3   | 6     | 10    | 13     | 11     | 16  | 22    | 24      |
| INCH | 1   | 1 1/2 | 2 3/8 | 2 1/2  | 2 3/4  | 3   | 4 1/2 | 4 15/16 |
| M.M. | 25  | 38    | 60    | 64     | 70     | 76  | 114   | 125     |
| INCH | 5   | 5 1/2 | 7 1/2 | 12 3/4 | 21 3/4 |     |       |         |
| M.M. | 127 | 140   | 191   | 324    | 552    |     |       |         |

|     |                 |     |      |  |                    |
|-----|-----------------|-----|------|--|--------------------|
| No. | REVISION        | BY  | DATE |  | APP<br>BY JEJ 6/96 |
| 2   | TEMPLATE UPDATE | JEJ | 6/96 |  | DO NOT SCALE       |
| 3   | SCREW CALL OUTS | AMM | 4/00 |  |                    |
|     |                 |     |      | NON-HANDED TRACK CLOSER<br>(PULL SIDE MOUNTED ON DOOR) |                    |
|     |                 |     |      | 1460/1461T FC (PULL SIDE)                              |                    |

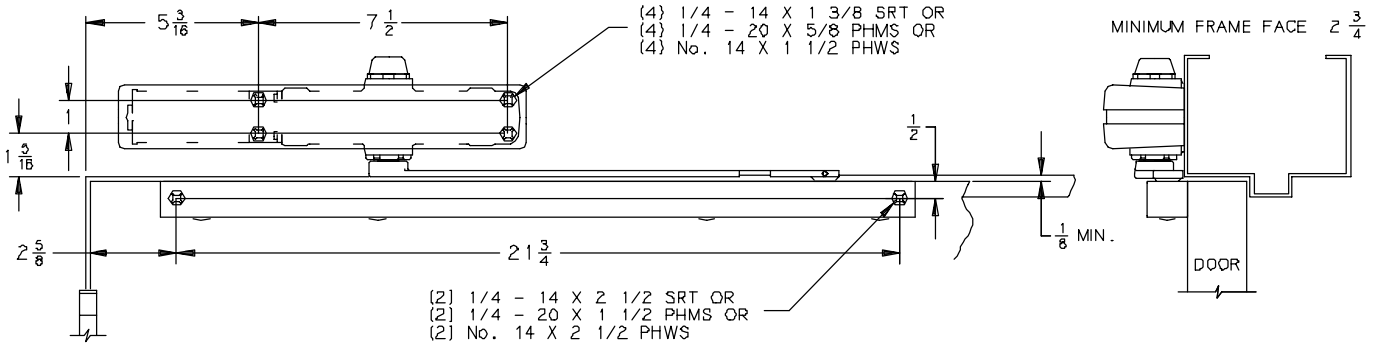
PULL SIDE MOUNTED ON TOP JAMB

1460 T } MAXIMUM OPENING 180°  
 1461 T } H.O. 85° - 115°

AUXILIARY STOP RECOMMENDED

RIGHT HAND SHOWN  
 LEFT HAND OPPOSITE

12/96

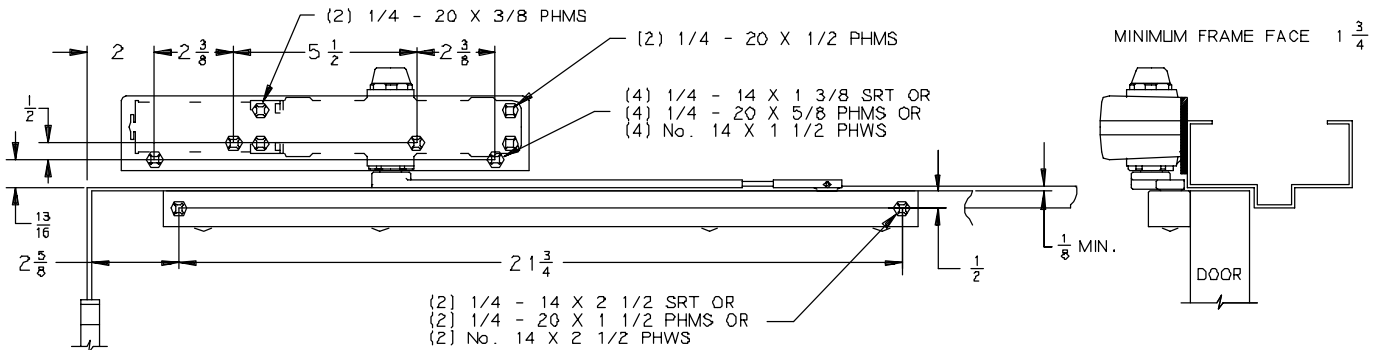


TOP JAMB MOUNT (PULL SIDE) ON 1461-18 DROP PLATE

1460 T DP } MAXIMUM OPENING 180°  
 1461 T DP } H.O. 85° - 115°

AUXILIARY STOP RECOMMENDED

RIGHT HAND SHOWN  
 LEFT HAND OPPOSITE



GENERAL NOTES-

1. LOCATE CLOSER & TRACK FROM  $\varnothing$  OF PIVOT OR SWING - CLEAR HINGE PIN, IF USED.
2. IF BUTT, FRAME AND WALL CONDITIONS PERMIT, PULL SIDE MOUNTINGS ALLOW 180° OF OPENING.
3. OPTIONAL HOLD - OPEN AVAILABLE.
4. REINFORCING PER ANSI/SDI-100 RECOMMENDED FOR HOLLOW METAL DOORS AND FRAMES.
5. CLOSER SIZE IS  $12 \frac{3}{4} \times 2 \times 2 \frac{3}{8}$ .
6. MAXIMUM BUTT SIZE 5 x 5.

|      |               |                 |                 |                 |                 |               |                 |                 |                 |                  |                  |
|------|---------------|-----------------|-----------------|-----------------|-----------------|---------------|-----------------|-----------------|-----------------|------------------|------------------|
| INCH | $\frac{1}{8}$ | $\frac{1}{4}$   | $\frac{3}{8}$   | $\frac{1}{2}$   | $\frac{5}{8}$   | $\frac{3}{4}$ | 1               | $1 \frac{1}{8}$ | $1 \frac{1}{2}$ | $1 \frac{3}{4}$  |                  |
| M.M. | 3             | 6               | 10              | 13              | 16              | 21            | 25              | 34              | 38              | 44               |                  |
| INCH | 2             | $2 \frac{3}{8}$ | $2 \frac{1}{2}$ | $2 \frac{5}{8}$ | $2 \frac{3}{4}$ | 5             | $5 \frac{3}{8}$ | $5 \frac{1}{2}$ | $7 \frac{1}{2}$ | $12 \frac{3}{4}$ | $21 \frac{3}{4}$ |
| M.M. | 51            | 60              | 64              | 67              | 70              | 127           | 132             | 140             | 191             | 324              | 552              |

| No. | REVISION        | BY  | DATE |
|-----|-----------------|-----|------|
| 2   | TEMPLATE UPDATE | JEJ | 6/96 |
| 3   | SCREW CALL OUTS | AMM | 4/00 |

**LCN**®

APP BY JEJ 6/96  
 DO NOT SCALE

NON-HANDED TRACK CLOSER  
 (PULL SIDE MOUNTED TOP JAMB)

1460/1461 T (PULL SIDE TOP JAMB)

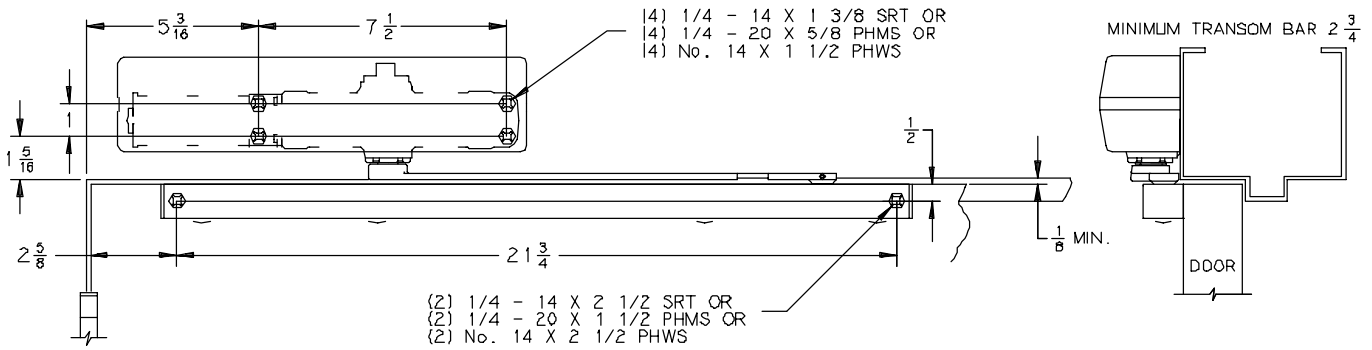
PULL SIDE MOUNTED ON TOP JAMB

1460T FC } MAXIMUM OPENING 180°  
1461T FC } H.O. 85° - 110°

AUXILIARY STOP RECOMMENDED

RIGHT HAND SHOWN  
LEFT HAND OPPOSITE

12/96

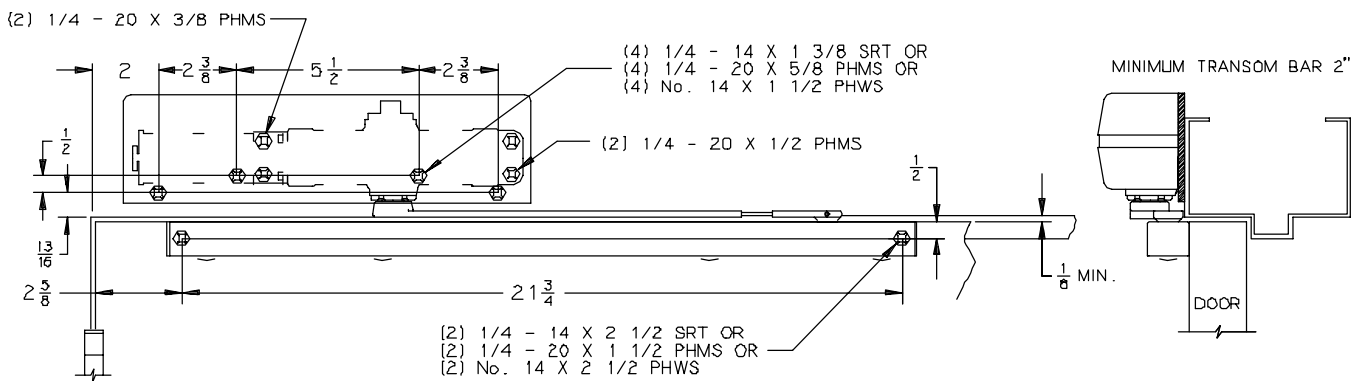


TOP JAMB MOUNT (PULL SIDE) ON 1461-18 DROP PLATE

1460T FC DP } MAXIMUM OPENING 180°  
1461T FC DP } H.O. 85° - 110°

AUXILIARY STOP RECOMMENDED

RIGHT HAND SHOWN  
LEFT HAND OPPOSITE



GENERAL NOTES-

1. LOCATE CLOSER & TRACK FROM  $\varnothing$  OF PIVOT OR SWING - CLEAR HINGE PIN, IF USED.
2. IF BUTT. FRAME AND WALL CONDITIONS PERMIT, PULL SIDE MOUNTINGS ALLOW 180° OF OPENING.
3. OPTIONAL HOLD - OPEN AVAILABLE.
4. REINFORCING PER ANSI/SDI-100 RECOMMENDED FOR HOLLOW METAL DOORS AND FRAMES.
5. CLOSER SIZE IS  $12 \frac{3}{4} \times 2 \frac{3}{4} \times 3$ .
6. MAXIMUM BUTT HINGE SIZE 5 x 5.

|      |       |       |       |     |     |        |       |        |        |        |       |
|------|-------|-------|-------|-----|-----|--------|-------|--------|--------|--------|-------|
| INCH | 1/8   | 1/4   | 3/8   | 1/2 | 5/8 | 13/16  | 1     | 1 1/16 | 1 1/2  | 2      | 2 3/8 |
| M.M. | 3     | 6     | 10    | 13  | 16  | 21     | 25    | 34     | 38     | 51     | 60    |
| INCH | 2 1/2 | 2 5/8 | 2 3/4 | 3   | 5   | 5 3/16 | 5 1/2 | 7 1/2  | 12 3/4 | 21 3/4 |       |
| M.M. | 64    | 67    | 70    | 76  | 127 | 132    | 140   | 191    | 324    | 552    |       |

| No. | REVISION        | BY  | DATE |
|-----|-----------------|-----|------|
| 2   | TEMPLATE UPDATE | JEJ | 6/96 |
| 3   | SCREW CALL OUTS | AMM | 4/00 |

**LCN**®

APP BY JEJ 6/96  
DO NOT SCALE

NON-HANDED TRACK CLOSER  
(PULL SIDE MOUNTED TOP JAMB)

1460 / 1461T FC (PULL SIDE TOP JAMB)

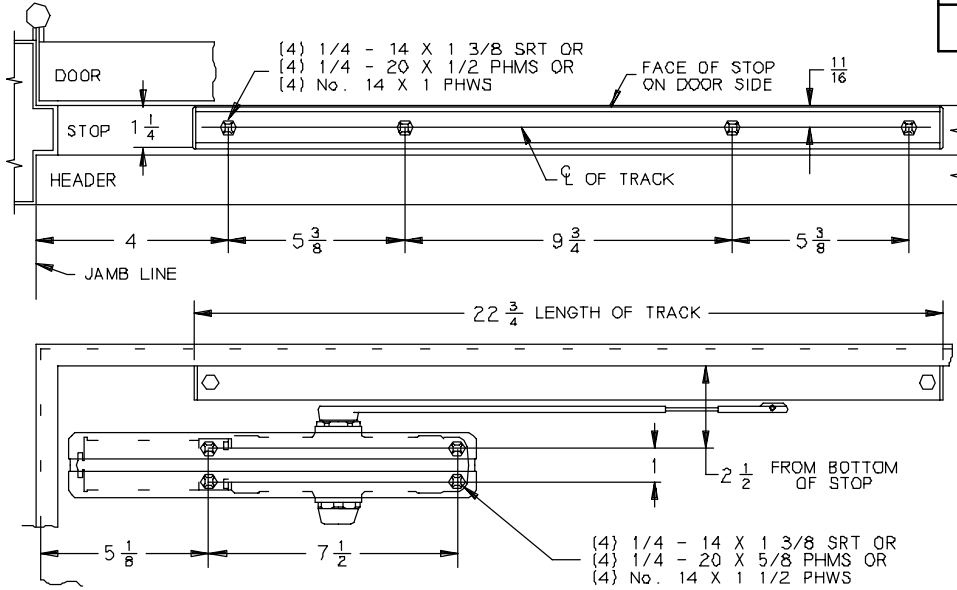
PUSH SIDE MOUNTED ON DOOR

1460 T } MAXIMUM OPENING 110°  
1461 T } H.O. 85° - 100°

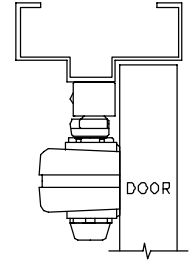
AUXILIARY STOP RECOMMENDED

LEFT HAND SHOWN  
RIGHT HAND OPPOSITE

12/96



MINIMUM DOOR TOP RAIL  
4 1/2 WITH 5/8 STOP.

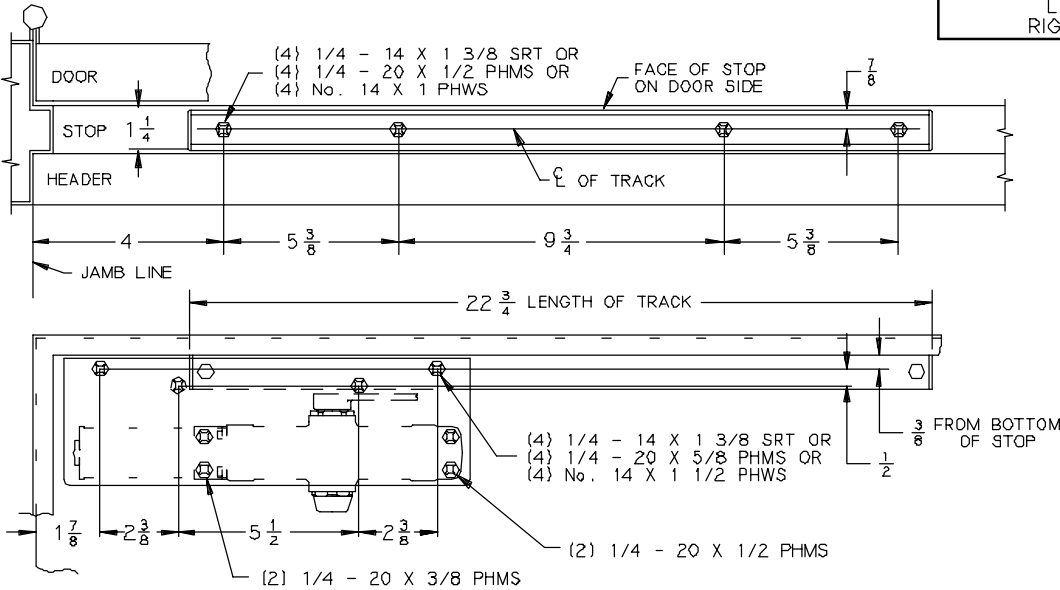


PUSH SIDE MOUNTED ON 1461-18PA DROP PLATE

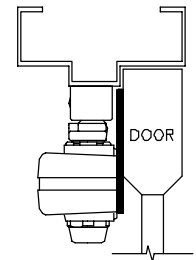
1460 T DP } MAXIMUM OPENING 110°  
1461 T DP } H.O. 85° - 100°

AUXILIARY STOP RECOMMENDED

LEFT HAND SHOWN  
RIGHT HAND OPPOSITE



MINIMUM DOOR TOP RAIL  
2 WITH 5/8 STOP.



GENERAL NOTES -

1. LOCATE CLOSER & TRACK FROM  $\bar{C}$  OF PIVOT POINT.
2. OPTIONAL HOLD - OPEN AVAILABLE.
3. REINFORCING PER ANSI/SDI-100 RECOMMENDED FOR HOLLOW METAL DOORS AND FRAMES.
4. CLOSER SIZE IS 12 3/4 x 2 x 2 3/8 .
5. MAXIMUM BUTT SIZE 5 x 5.

|      |        |       |     |       |     |        |       |       |       |       |        |
|------|--------|-------|-----|-------|-----|--------|-------|-------|-------|-------|--------|
| INCH | 1/4    | 3/8   | 1/2 | 5/8   | 7/8 | 1 1/16 | 1     | 1 1/4 | 1 1/2 | 1 7/8 | 2      |
| M.M. | 6      | 10    | 13  | 16    | 22  | 17     | 25    | 32    | 38    | 48    | 51     |
| INCH | 2 3/8  | 2 1/2 | 4   | 4 1/2 | 5   | 5 1/8  | 5 3/8 | 5 1/2 | 7 1/2 | 9 3/4 | 12 3/4 |
| M.M. | 60     | 64    | 102 | 114   | 127 | 130    | 137   | 140   | 191   | 248   | 324    |
| INCH | 22 3/4 |       |     |       |     |        |       |       |       |       |        |
| M.M. | 578    |       |     |       |     |        |       |       |       |       |        |

| No. | REVISION        | BY  | DATE |
|-----|-----------------|-----|------|
| 2   | TEMPLATE UPDATE | JEJ | 6/96 |
| 3   | SCREW CALL OUTS | AMM | 4/00 |

**LCN**®

APP BY JEJ 6/96  
DO NOT SCALE

NON-HANDED TRACK CLOSER  
(PUSH SIDE MOUNTED ON DOOR)

1460/1461 T (PUSH SIDE)

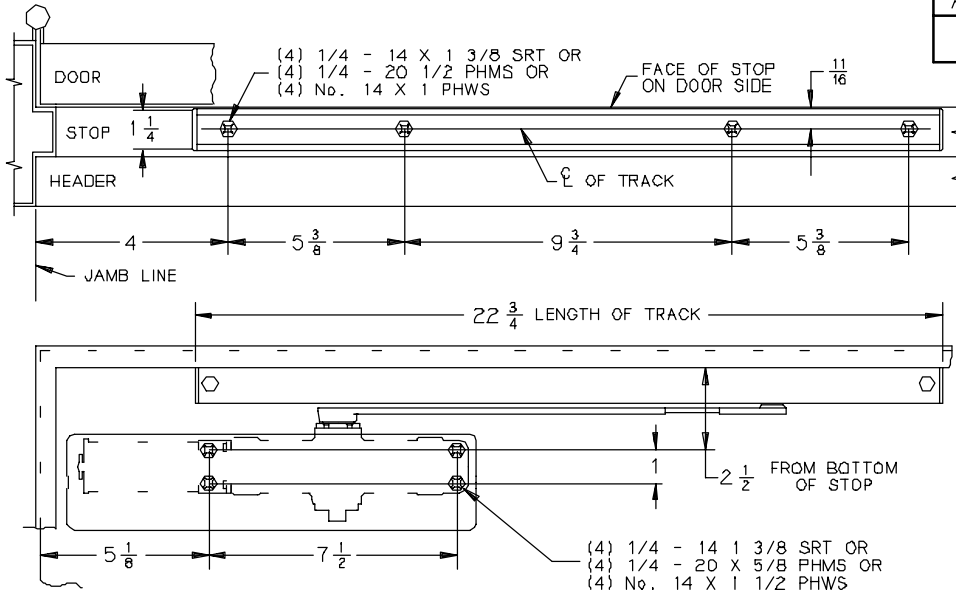
PUSH SIDE MOUNTED ON DOOR

1460T FC } MAXIMUM OPENING 110°  
1461T FC } H.O. 85° - 100°

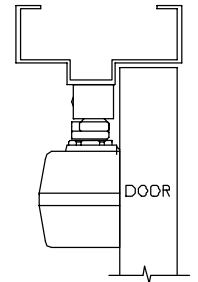
AUXILIARY STOP RECOMMENDED

LEFT HAND SHOWN  
RIGHT HAND OPPOSITE

12/96



MINIMUM DOOR TOP RAIL  
4 1/2 WITH 5/8 STOP.

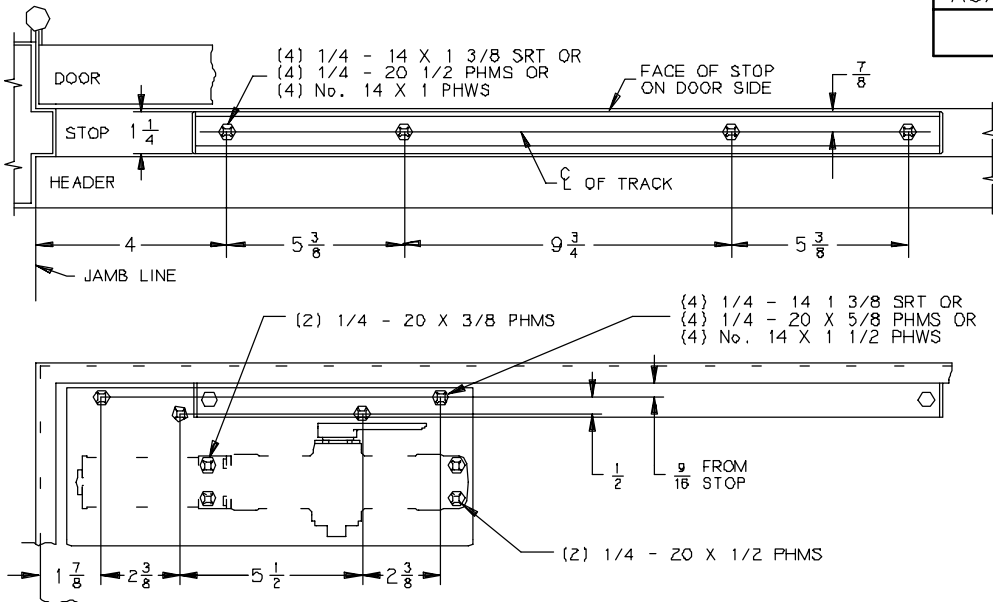


PUSH SIDE MOUNTED ON 1461-18PA DROP PLATE

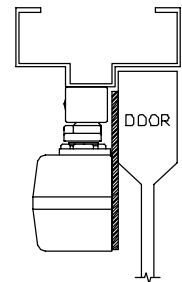
1460T FC DP } MAXIMUM OPENING 110°  
1461T FC DP } H.O. 85° - 100°

AUXILIARY STOP RECOMMENDED

LEFT HAND SHOWN  
RIGHT HAND OPPOSITE



MINIMUM DOOR TOP RAIL  
2" WITH 5/8 STOP.



GENERAL NOTES-

1. LOCATE CLOSER & TRACK FROM  $\text{C}$  OF PIVOT POINT. CONSULT FACTORY IF SWING CLEAR HINGES ARE USED.
2. OPTIONAL HOLD - OPEN AVAILABLE. ADJUSTABLE FROM 85° - 100°.
3. REINFORCING PER ANSI/SDI-100 RECOMMENDED FOR HOLLOW METAL DOORS AND FRAMES.
4. CLOSER SIZE IS 12 3/4 x 2 3/4 x 3.
5. MAXIMUM BUTT SIZE 5 x 5.

|      |     |     |     |     |     |     |    |       |       |
|------|-----|-----|-----|-----|-----|-----|----|-------|-------|
| INCH | 1/4 | 3/8 | 1/2 | 5/8 | 3/4 | 7/8 | 1  | 1 1/4 | 1 1/2 |
| M.M. | 6   | 10  | 13  | 16  | 19  | 22  | 25 | 32    | 38    |

|      |       |    |       |       |       |    |     |       |       |       |
|------|-------|----|-------|-------|-------|----|-----|-------|-------|-------|
| INCH | 1 7/8 | 2  | 2 3/8 | 2 1/2 | 2 3/4 | 3  | 4   | 4 1/2 | 5 1/8 | 5 3/8 |
| M.M. | 48    | 51 | 60    | 64    | 70    | 76 | 102 | 114   | 130   | 137   |

|      |       |       |       |        |        |
|------|-------|-------|-------|--------|--------|
| INCH | 5 1/2 | 7 1/2 | 9 3/4 | 12 3/4 | 22 3/4 |
| M.M. | 140   | 191   | 248   | 324    | 578    |

| No. | REVISION        | BY  | DATE |
|-----|-----------------|-----|------|
| 2   | TEMPLATE UPDATE | JEJ | 6/96 |
| 3   | SCREW CALL OUTS | AMM | 4/00 |

**LCN**<sup>®</sup>

APP BY JEJ 6/96  
DO NOT SCALE

NON-HANDED TRACK CLOSER  
(PUSH SIDE MOUNTED ON DOOR)

1460/1461T FC (PUSH SIDE)