

Coordinators - Bar Coordinators and Filler Bars

COR Series Bar Coordinators



- The COR Series Coordinators are designed for use on pairs of doors when one door needs to close before the other.
- All COR units function easily. The active door lever, located nearest to the active stop, holds the active door open until the trigger mechanism is released by the closing of the inactive leaf.
- All COR units are equipped with an override feature which allows the active door to close under extreme pressure.
- All COR units are compatible with Flush Bolts.
- The COR Series is available in five sizes for variable door opening widths.
- The COR Series does not cover the entire length of the stop, so a filler bar can be provided to maintain architecturally clean lines.
- COR Series Coordinator Channels and fillers are made of aluminum and are normally furnished in a US28 finish. Also available in US26D, and 315AN (Black).
- Meets ANSI/BHMA A156.3, Type 21A.
- UL Listed for installation on labeled frame.
- Optional Filler Bars: FL20, FL32 and FL44, available to maintain clean line.
- Optional Mounting Brackets available: MB1, MB2, MB1F, MB2F, MB3F, MB1V, MB2V, and MB3V for other stop applied hardware.

Dimensions: 1-5/8" Wide x 5/8" Deep x Ordered Length

FL Series Filler Bars

- The FL Filler Bars are available in three sizes for variable frame openings.
- FL Filler Bars are made of aluminum and are normally furnished in a US28 finish. Also available in US26D and 315AN (Black).
- FL Filler Bars are field sized to frame opening.

For Openings Where Doors Are Same Size

Coordinator Number	Length of Channel	For Opening Widths	Common Applications
COR32	32"	34" - 52"	Pair of 2'0" Doors
COR42	42"	52" - 72"	Pair of 2'6" Doors
COR52	52"	62" - 92"	Pair of 3'0" Doors
COR60	60"	70" - 108"	Pair of 3'6" Doors
COR72	72"	84" - 132"	Pair of 4'0" Doors

For Openings Where Doors Are Unequal Size

The coordinator length should equal the active door width plus approximately 1/2 the inactive door width. The coordinator must be 6" longer than the active door width and shorter than the overall frame opening between stops.



Filler Bar Number	Length
FL20	20"
FL32	32"
FL44	44"

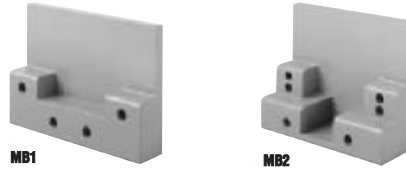
Dimensions: 1-5/8" Wide x 5/8" Deep x Ordered Length

Coordinators - Mounting Brackets

Mounting Brackets

MB1 and MB2

- Allows stop mounted hardware to be properly installed without damaging the COR coordinator, such as a parallel arm closer or a non-fire-rated surface vertical rod strike.
- Stop mounted hardware will need to be lowered to compensate for the height of the coordinator and mounting bracket.
- MB mounting brackets are made of aluminum and normally furnished in a USP finish. Powder Coated Finishes: SP28 and SPBLK.



Product	Jamb Depth	Stop Width
MB1	4-3/4" Min.	Over 2-1/2"
MB2	4-3/4" Min.	Up to 2-1/2"

Dimensions:

MB1: 4" Wide x 3" Deep x 15/16" Tall

MB2: 4" Wide x 3-1/4" Deep x 1-5/8" Tall

MB1F, MB2F and MB3F

- Allows stop mounted hardware to be properly installed without damaging the COR coordinator. Example: strike for fire-rated surface vertical rod exit device.
- Stop mounted hardware will need to be lowered to compensate for the height of the coordinator and mounting bracket.
- MBF mounting brackets are made of 3/8" thick steel and normally furnished in a USP finish. Powder Coated Finishes: SP28 and SPBLK.



Product	Jamb Depth	Stop Width
MB1F	5" Min.	1-1/2" to 2-1/4"
MB2F	5-7/8" Min.	2-3/8" to 3-1/4"
MB3F	6-7/8" Min.	3-3/8" and Wider

Dimensions:

MB1F: 4" Wide x 3" Deep x 1-5/8" Tall

MB2F: 4" Wide x 4" Deep x 1-5/8" Tall

MB3F: 4" Wide x 3-1/2" Deep x 1" Tall

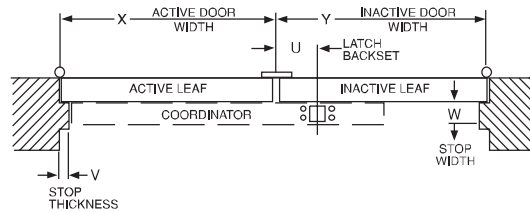
MB1V, MB2V and MB3V (not shown)

Same as MB1F, MB2F and MB3F with factory preparation for the Von Duprin 8827-F soffit latch.

Coordinators

Special Factory Preparation for Use with Vertical Rod Exit Devices

- Coordinators may need to be prepared at the factory for use with some surface and concealed vertical rod exit devices. (See Chart below)
- If exit device not listed in chart, the information shown on the illustration will be needed.



1. Exit Device Manufacturer and Model No.
2. Active Net Door Size, "X"
3. Inactive Net Door Size, "Y"
4. Exit Device Backset, "U"
5. Stop Width, "W"
6. Stop Thickness if other than 5/8", "V"

Exit Device Manufacturer	Exit Device Number	Device Backset	Maximum Active Door	Coordinator Size Needed	Coordinator Cutout Type	Mounting Bracket Needed
Von Duprin	5547-F	2-3/8"	33" 43" 51" 63"	42" 52" 60" 72"	A	None
Von Duprin	8827-F	2-3/4"	33" 43" 51" 63"	42" 52" 60" 72"	B	MB1V, MB2V or MB3V
Von Duprin	8847-F	2-3/8"	33" 43" 51" 63"	42" 52" 60" 72"	C	None
Von Duprin	33/3547 33/3547-F 98/9947 98/9947-F	2-3/4"	33" 43" 51" 64"	42" 52" 60" 72"	D	None
Von Duprin	33/3548 33/3548-F 98/9948 98/9948-F	2-3/4"	33" 43" 51" 64"	42" 52" 60" 72"	D	None
Von Duprin	33/3547WDC 33/3547WDC-F 98/9947WDC 98/9947WDC-F	1-5/16"	34" 44" 52" 65"	42" 52" 60" 72"	E	None
Monarch	17-C F-17-C 18-C F-18-C XX-C F-XX-C	2-3/4"	33" 43" 51" 63"	42" 52" 60" 72"	F	None
Monarch	17-C-WDC F-17-C-WDC 18-C-WDC F-18-C-WDC XX-C-WDC F-XX-C-WDC	2-13/16"	33" 43" 51" 63"	42" 52" 60" 72"	G	None

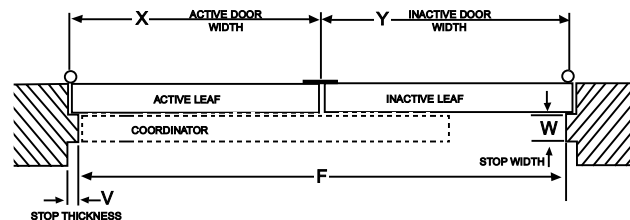
Ordering Guide for Bar Coordinators

How to Order COR and Accessories

COR	52	-	US28	-	FL20	-	D	-	36"	-	2-MB2
COR Size: 32, 42, 52, 60, 72											
Finishes: US28, US26D, 315AN (Black)											
Filler Bar (if desired): FL20, FL32, FL44											
Vertical Rod Exit Device Cutout Type (if applicable): A, B, C, D, E, F, G If other Vertical Rod Exit Device not listed on chart, from page A14, include information as shown on page A14.											
Net Active Door Size – Required for ALL Vertical Rod Exit Device Applications											
Mounting Bracket: Indicate quantity, then bracket. MB1, MB2, MB1F, MB2F, MB3F, MB1V, MB2V, MB3V Mounting brackets are sold and packaged separately from coordinators.											

To determine the size COR you need:

1. Start with the active door size (X).
2. Next consider the overall frame opening between stops (F).
3. Preferably, the coordinator would equal the active door width (X) + approximately 1/2 inactive door width (Y). Keep in mind the coordinator must be 6" longer than the active door width (X) and less than the overall frame opening between stop (F).



Examples:

- Pair of 30" Doors, 5/8" Stops
Active Door Size, X = 30"
Overall Frame Opening between Stops, F = 58-3/4"
Recommended Coordinator: COR42
- 36" Active Door, 18" Inactive door, 5/8" Stops
Active Door Size, X = 36"
Overall Frame Opening between Stops, F = 52-3/4"
Recommended Coordinator: COR42
- Pair of 36" Doors, 5/8" Stops
Active Door Size, X = 36"
Overall Frame Opening between Stops, F = 70-3/4"
Recommended Coordinator: COR52
- 48" Active Door, 24" Inactive Door, 5/8" Stops
Active Door Size, X = 48"
Overall Frame Opening between Stops, F = 94-3/4"
Recommended Coordinator: COR60

Coordinators - Gravity Coordinators

COR7G and COR9G Gravity Coordinators

Features:

- When active door is open, coordinator prevents active door from closing until inactive door bypasses. Closing of inactive door causes strike plate on top of door to contact cam and lift arm, allowing active door to close. As inactive door continues closing, roller rides over strike plate on to door bracket, holding arm above active door.
- UL Listed for Fire Doors.
- Non-handed.
- Gravity action arm and door bracket are adjustable on the job for ease of installation. Nylon roller provides quiet and efficient operation, and helps protect the astragal and doors from damage.
- Nylon roller on short arm glides smoothly over door bracket and strike, ensuring silent operation.
- Made of forged brass.
- Finishes: US3, US4, US10, US10B, US26, US26D.
- Meets ANSI/BHMA A156.3, Type 21.



COR7

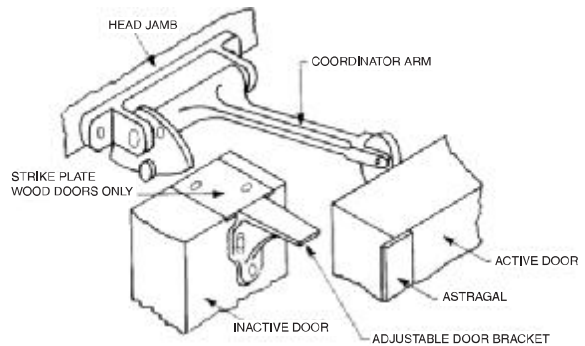
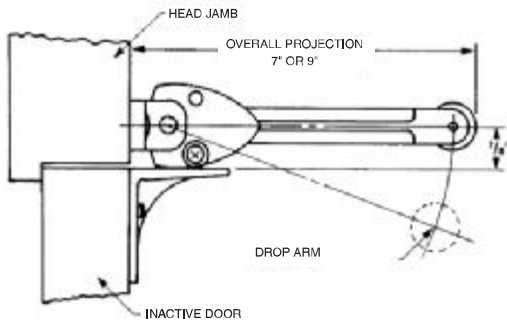
7" Projection

- Use on pairs of doors with astragal on active door up to 4'.
- With astragal, inactive door up to 3'4".
- With astragals, both doors up to 2'10".

COR9

9" Projection

- Use on pairs of doors with astragal on active door over 4'.
- With astragal, inactive door over 3'4".
- With astragals, both doors over 2'10".



CB1 Carry Bar

Features:

- Used when it is possible for the inactive door to be opened before the active door.
- Prevents damage to the doors and other hardware.
- Nylon roller insures quiet and efficient operation.
- Non-handed.
- All-steel construction.
- Finishes: USP, US3, US4, US10, US10B, US26, US26D.
- Meets ANSI/BHMA A156.3, Type 21.
- Standard sex bolts for mounting.

