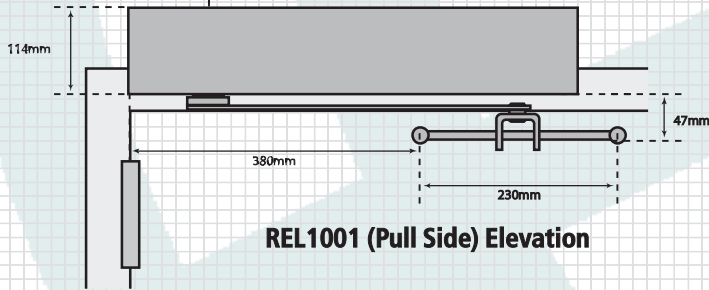
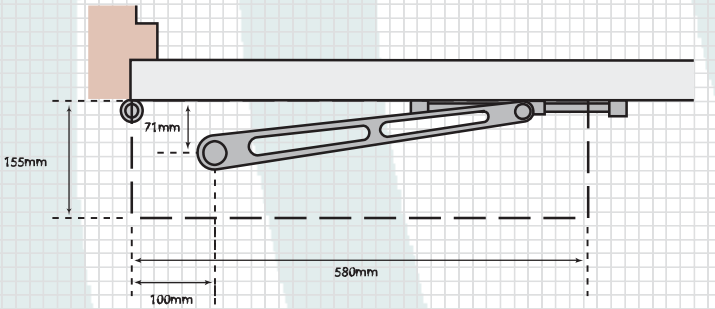


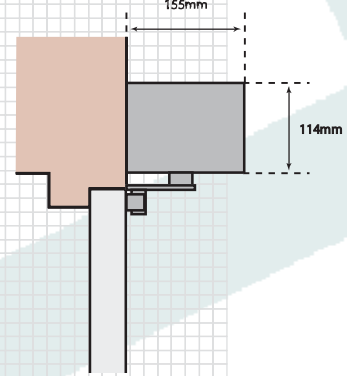
automatic door operator

REL1001 (Pull Side) Plan

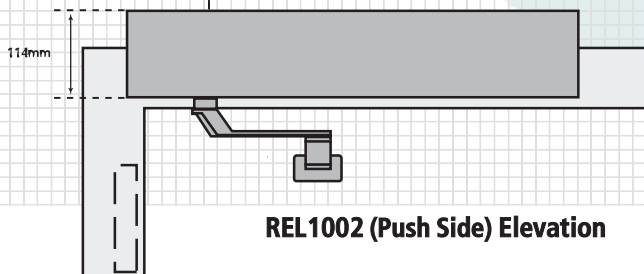
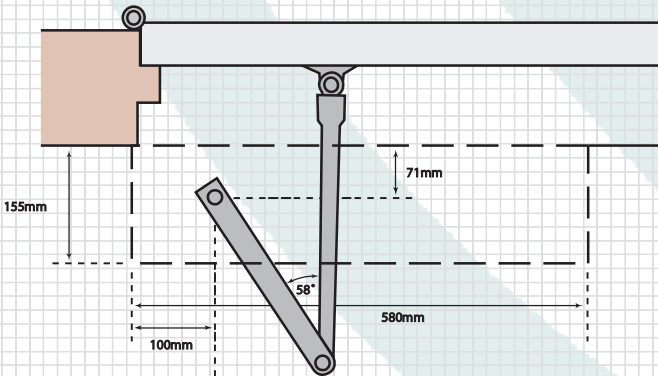


REL1001 (Pull Side) Elevation

REL1001 (Pull Side) Section

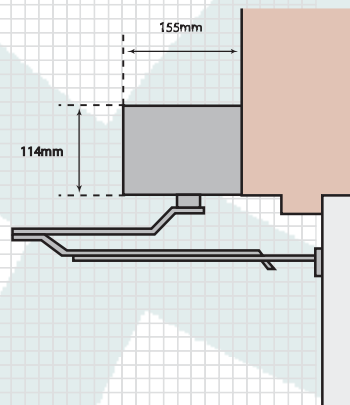


REL1002 (Push Side) Plan



REL1002 (Push Side) Elevation

REL1002 (Push Side) Section



Installation & Commissioning

The client should ensure the following when appointing an installer:

The installer must be qualified, competent and trained to install our products to a satisfactory level of safety. An ADSA BS7036:1996 authorized technician should install automatic door operators. Equipment should be 'handed over' only when the installation is complete and all relevant documentation, including operational instructions, has been passed to the end user.

Typical layouts shown here are for indication purposes only (always refer to installation instructions)



Relcross Ltd.,
Hambleton Avenue,
Devizes, Wiltshire
SN10 2RT United Kingdom
Tel: 01380 729600
Fax: 01380 729888
Email: sales@relcross.co.uk
Internet: www.relcross.co.uk