

VON DUPRIN® Series 6000 Electric Strikes

Electric Strikes provide remote release of a locked door. They allow the door to be opened without retracting the latchbolt. This occurs by the releasing of the electric strike lip (sometimes called keeper or gate). When the door closes the beveled latchbolt rides over the lip and falls into the electric strike pocket.

VON DUPRIN SERIES 6000 ELECTRIC STRIKES

Von Duprin is the leading manufacturer of premium, heavy-duty electric strikes known for their reliability, durability and security.

Versatility

- Non-handed
- Furnished 24VDC standard with 12VDC and AC operation optional. 16V solenoids available.
- Furnished fail secure (FSE) standard, with fail safe (FS) optional.
- Strike box is adjustable to compensate for any misalignment of the door or frame.
- Two piece plug connectors are furnished for ease of installation and for removal during strike servicing.

Durability

Developed with Von Duprin's high standards and engineering expertise.

- Heavy-duty stainless steel construction.
- Tested to over 250,000 cycles.
- 1500 lbs. holding strength.
- 70 lbs. impact strength.

To assure the proper selection of an electric strike on new applications, lockset compatibility charts are shown on page 13. When using a lockset not listed or when retrofitting a strike to an existing application, consult Von Duprin for application assistance.

OPTIONS

AC Operation

SO12 and SO24 are rectifier kits to convert AC voltage to operate the DC solenoids. These kits are field installable and plug in-line to solenoid.

DS and DS-LC — Dual Switch Monitoring (Factory Installed Only)

Dual switch monitoring option has two SPDT contacts, one switch monitors the tripper which is depressed when the latchbolt is inserted into the strike pocket. The second switch monitors the condition of the strike lip, open or closed and locked.

DS is standard, rated 24V, operating range from 2 ampere to 50 milliamper.

DS-LC low volt gold contact switches for use on applications associated with computer control and monitoring, rated 24V, operating range 50 milliamper or below.

Fail Secure — FSE

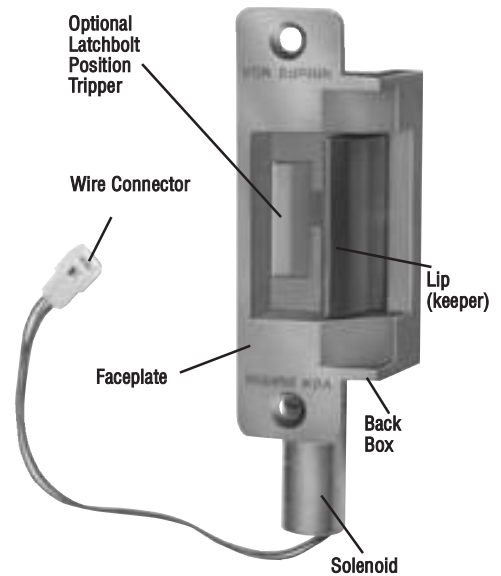
FSE — FAIL-SECURE electric strikes require power to be applied to unlock the strike lip. On loss of power, the strike is locked. Field convertible with parts.

Fail Safe — FS

FS — FAIL-SAFE electric strikes require power to be applied to lock the strike lip. On loss of power, the strike is unlocked. Building codes prohibit the use of fail-safe strikes on labeled openings. Field convertible with parts.

Entry Buzzer — EB

EB — Entry buzzer is available for use with fail-secure strikes. Installed in the frame and in parallel with the circuit, the buzzer will sound when the strike is unlocked.



UL LISTED

UL Listed Burglary-Resistant and Electric Strike for fire doors and frames. A label for single doors and B label for double doors. Strikes meet the requirements of ANSI 156.5, Grade 1, 1992.

TO ORDER, SPECIFY

1. Model number.
2. FS (fail safe, when required).
3. DS or DS-LC (dual switch, when required).
4. Voltage 12VDC or 24VDC
For 16V Solenoids order separately.
5. SO12 or SO24 (required when using AC)
6. Finish: US3, US4, US10, US10B, US32, US32D.
7. EB (Entry buzzer), FSE only (when required).

Note: Information listed is for use on new applications. On retrofit applications, modification of the frame preparation may be required, consult factory.

VON DUPRIN® 6111, 6112, 6113 Electric Strikes

6111

Electric strike for use with rim exit devices on single doors or double doors with mullion applications (hollow metal, aluminum or wood). Designed to replace Von Duprin 3031. Specify if using with 55 rim devices.

6112

Electric strike for use with rim exit devices on single door applications (hollow metal, aluminum or wood). Designed to replace Folger Adam 310-4, minor frame prep modification required.

6113

Electric strike for use with rim exit devices on single door applications (hollow metal, aluminum or wood), $\frac{1}{2}$ " (13mm) stop or greater. Designed to replace Von Duprin 3011 and 3021. Specify if using with 55 rim devices.

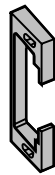
FEATURES

- Stainless Steel Construction
- Accepts $\frac{3}{4}$ " (19mm) Throw Latchbolt
- Six Finishes
- Non-handed
- Fail Secure
- Horizontally Adjustable
- Plug Connectors

OPTIONS

- FS (Fail Safe)
- DS or DS-LC (Dual Monitor Switches)
- EB (Entry Buzzer)

6111/6113 ELECTRIC STRIKE BLADE STOP SHIM 010055-XX



Use on cased opening or blade stop frame. $\frac{1}{2}$ " (13mm) aluminum, not for fire door application.



6111



6113



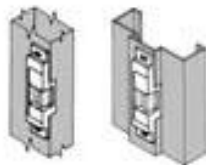
6112

SPECIFICATIONS	12V	24V
Resistance in Ohms $\pm 10\%$ @ 70°F	21	82
Watt-seated @ 70°F	7.5	8
Amps-seated @ 70°F	.6	.33
Amps-inrush @ 70°F	.6	.33

UL listed Burglary Resistant CVXY and Electric Strike for fire doors or frames GXAY (fail secure only). ANSI E59311 Listing applies to Von Duprin rim devices.

DIMENSIONS AND CONFIGURATIONS

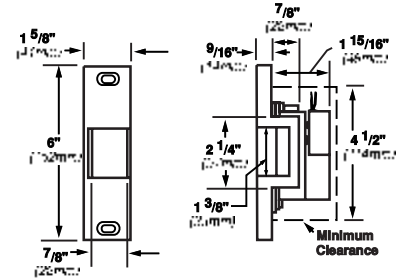
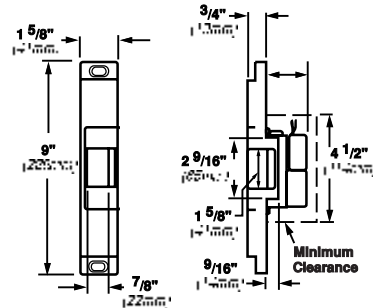
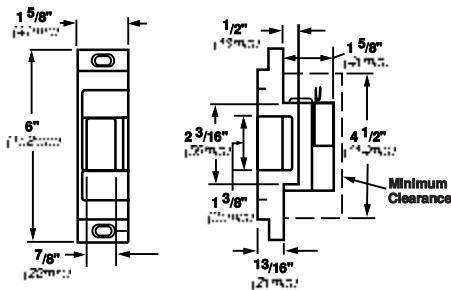
6111



6112



6113



VON DUPRIN® 6213, 6214, 6215, 6216 Electric Strikes

6213

Electric strike for use with mortise locks **without deadbolt** or cylindrical locks on single door, hollow metal or aluminum frame applications (includes wood frame on retrofit application). Designed to replace Von Duprin 3041, 3042, 3061 and 3062.

6214

Electric strike for use with mortise locks **without deadbolt** or cylindrical locks on single door, hollow metal or aluminum frame applications. Designed to replace Folger Adam 310-2½.

6215

Electric strike for use with mortise locks **without deadbolt** or cylindrical locks on single door, hollow metal or aluminum frame applications. Designed to replace Folger Adam 310-2.

6216

Electric strike for use with mortise locks **with deadbolt**, 1" (25mm) throw, on single door, hollow metal, aluminum or wood frame applications. Deadbolt must be manually operated. Designed to replace Folger Adam 310-3-1.

FEATURES

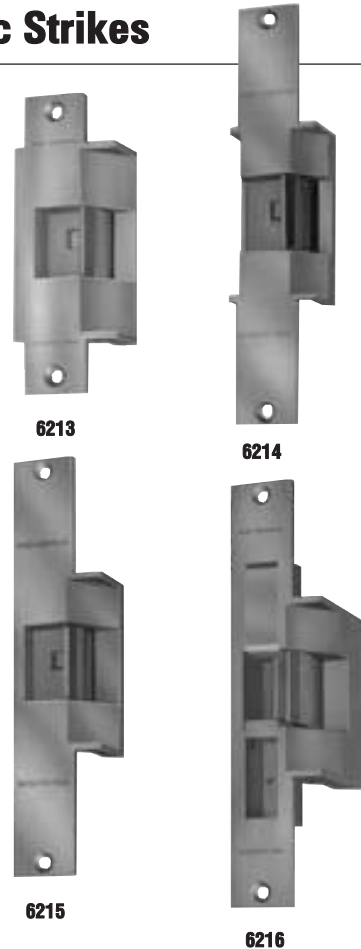
- Stainless Steel Construction
- Accepts ¾" (19mm) Throw Latchbolt
- Six Finishes
- Non-handed
- Fail Secure
- Horizontally Adjustable
- Plug Connectors

OPTIONS

- FS (Fail Safe)
- DS or DS-LC (Dual Monitor Switches)
- EB (Entry Buzzer)

SPECIFICATIONS	12V	24V
Resistance in Ohms±10% @ 70°F	21	82
Watt-seated @ 70°F	7.5	8
Amps-seated @ 70°F	.6	.33
Amps-inrush @ 70°F	.6	.33

UL listed Burglary Resistant CVXY and Electric Strike for fire doors or frames GXAY (fail secure only). ANSI E59321



DIMENSIONS AND CONFIGURATIONS

